

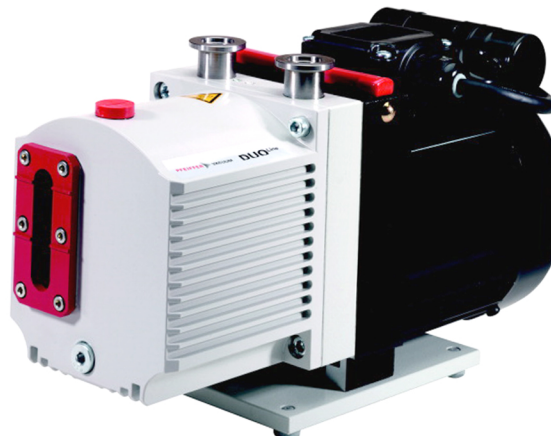


# Pfeiffer DUO 1.6, 3, 6, 11 (M)

## Technical Specifications

	DUO 1.6 M / DUO 1.6	DUO 3 M / DUO 3	DUO 6 M / DUO 6	DUO 11 M / DUO 11
	1-ph motor 220–240 V 50/60 Hz	1-ph motor 220–240 V 50/60 Hz	1-ph motor 220–265 V 50/60 Hz	1-ph motor 180–265 V 50/60 Hz
Flange (out)	DN 16 ISO-KF	DN 16 ISO-KF	DN 16 ISO-KF	DN 16 ISO-KF
Flange (in)	DN 16 ISO-KF	DN 16 ISO-KF	DN 16 ISO-KF	DN 16 ISO-KF
Exhaust pressure, max.	1,500 hPa	1,500 hPa	1,500 hPa	1,500 hPa
Exhaust pressure, min.	250 hPa	250 hPa	250 hPa	250 hPa
Operating fluid	P3	P3	P3	P3
Operating fluid filling	0.4 l	0.4 l	0.5 l	0.6 l
Rotation speed at 50 Hz	1,500 min <sup>-1</sup>	3,000 min <sup>-1</sup>	3,000 min <sup>-1</sup>	3,000 min <sup>-1</sup>
Rotation speed at 60 Hz	1,800 min <sup>-1</sup>	3,600 min <sup>-1</sup>	3,600 min <sup>-1</sup>	3,600 min <sup>-1</sup>
Emission sound pressure level				
without gas ballast at 50 Hz	≤ 48 dB (A)	≤ 53 dB (A)	≤ 53 dB (A)	≤ 55 dB (A)
Ultimate pressure with gas ballast	3 · 10 <sup>-3</sup> hPa	3 · 10 <sup>-3</sup> hPa	3 · 10 <sup>-3</sup> hPa	3 · 10 <sup>-3</sup> hPa
Ultimate pressure without gas ballast	3 · 10 <sup>-3</sup> hPa	3 · 10 <sup>-3</sup> hPa	3 · 10 <sup>-3</sup> hPa	3 · 10 <sup>-3</sup> hPa
Weight	10.5 kg / 9.6 kg	12 kg / 11.3 kg	17.5 kg / 16 kg	19 kg / 17 kg
Cooling method, standard	Air	Air	Air	Air
Leak rate safety valve	≤ 1 · 10 <sup>-5</sup> Pa m <sup>3</sup> /s	≤ 1 · 10 <sup>-5</sup> Pa m <sup>3</sup> /s	≤ 1 · 10 <sup>-5</sup> Pa m <sup>3</sup> /s	≤ 1 · 10 <sup>-5</sup> Pa m <sup>3</sup> /s
Magnetic coupling	Yes / No	Yes / No	Yes / No	Yes / No
Rated power 50 Hz	0.075 kW	0.15 kW	0.25 kW	0.25 kW
Rated power 60 Hz	0.090 kW	0.18 kW	0.30 kW	0.30 kW
Mains requirement: voltage 50 Hz	220–240 V	220–240 V	200–265 V	180–265 V
Mains requirement: voltage 60 Hz	220–240 V	220–240 V	200–265 V	180–265 V
Mains cable	No	No	No	No
Pumping speed at 50 Hz	1.25 m <sup>3</sup> /h	2.5 m <sup>3</sup> /h	5 m <sup>3</sup> /h	9 m <sup>3</sup> /h
Pumping speed at 60 Hz	1.50 m <sup>3</sup> /h	2.9 m <sup>3</sup> /h	6 m <sup>3</sup> /h	10.5 m <sup>3</sup> /h
Switch	Yes	Yes	Yes	Yes
Protection category	IP 40	IP 55	IP 55	IP 55
Ambient temperature	12–40°C	12–40°C	12–40°C	12–40°C

1-ph motor = 1-phase motor



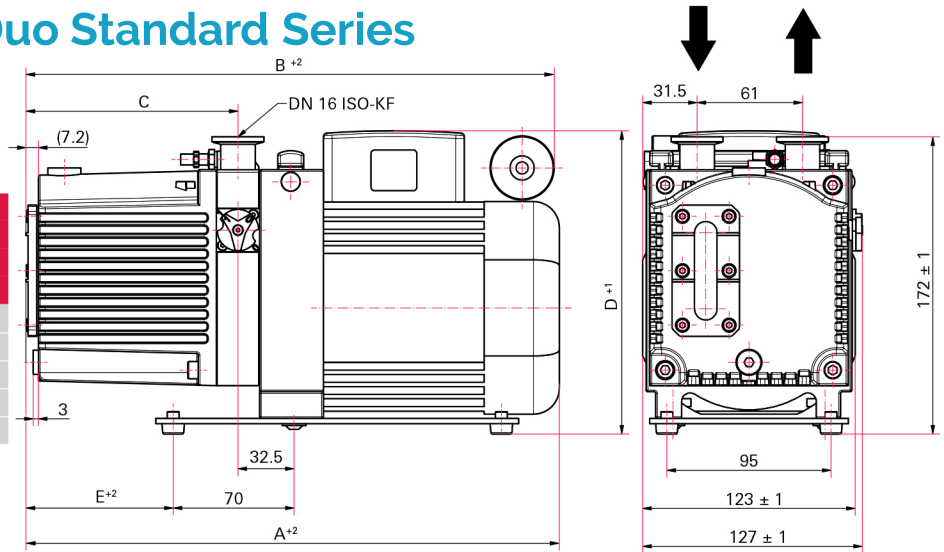


# Pfeiffer DUO 1.6, 3, 6, 11 (M)

## Dimensions

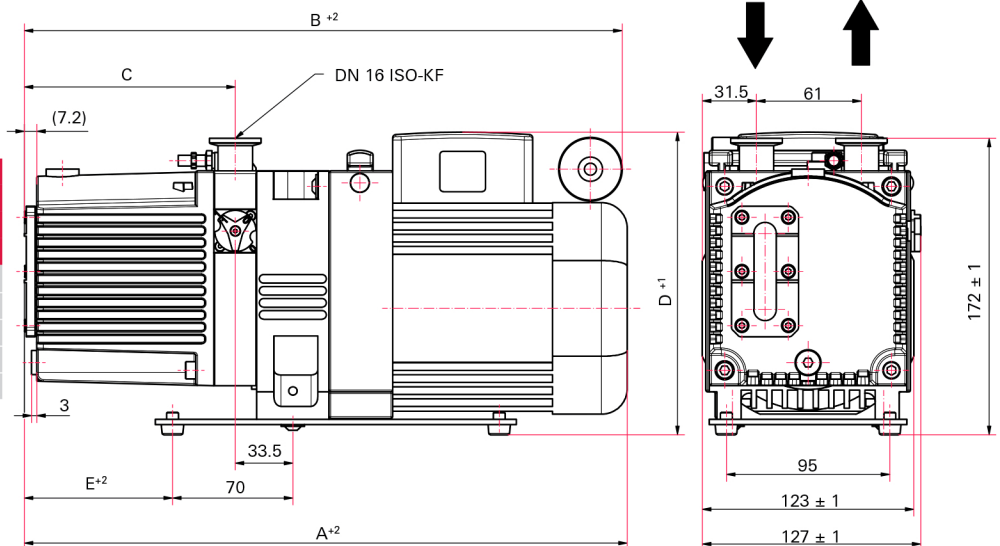
### Duo Standard Series

	DUO 1.6	DUO 3	DUO 6	DUO 11
	1-ph motor	1-ph motor	1-ph motor	1-ph motor
	220-240 V	220-240 V	220-240 V	180-265 V
	50/60 Hz	50/60 Hz	50/60 Hz	50/60 Hz
A	315 mm	309 mm	371 mm	411 mm
B	315 mm	309 mm	370 mm	409 mm
C	123 mm	123 mm	145 mm	185 mm
D	189 mm	176 mm	177 mm	191 mm
E	85.5 mm	85.5 mm	107.5 mm	147.5 mm



### Duo M Series

	DUO 1.6 M	DUO 3 M	DUO 6 M	DUO 11 M
	1-ph motor	1-ph motor	1-ph motor	1-ph motor
	220-240 V	220-240 V	220-265 V	180-265 V
	50/60 Hz	50/60 Hz	50/60 Hz	50/60 Hz
A	357 mm	351 mm	413 mm	463 mm
B	357 mm	351 mm	413 mm	463 mm
C	123 mm	123 mm	145 mm	185 mm
D	190 mm	176 mm	177.5 mm	192 mm
E	86.5 mm	86.5 mm	108.5 mm	154 mm





# PROVAC

## SALES

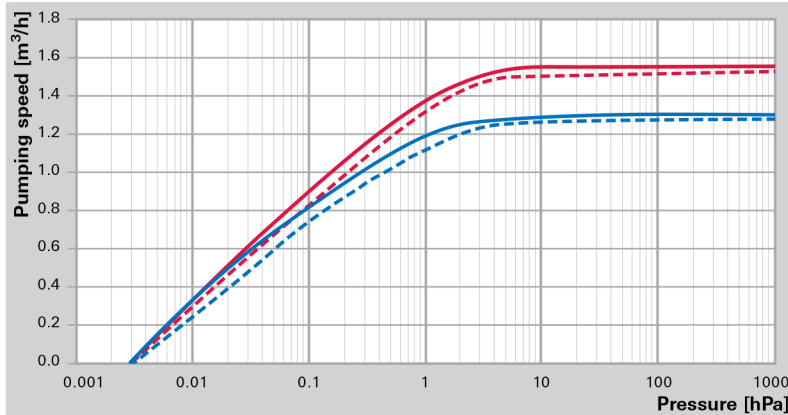
PHONE: 831-462-8900

FAX: 831-462-3536

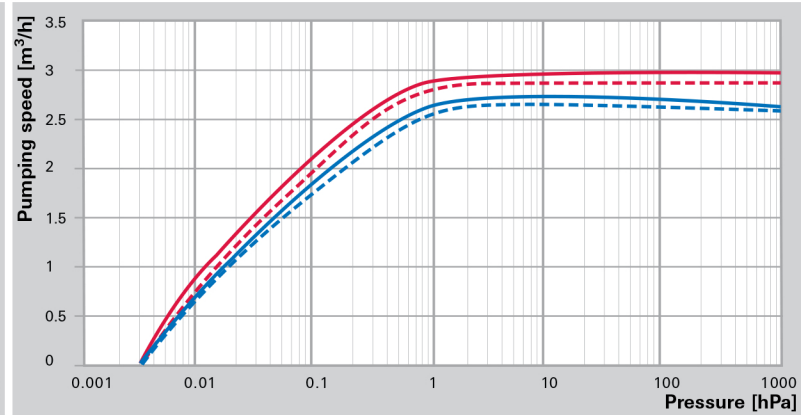
WWW.PROVAC.COM

# Pfeiffer DUO 1.6, 3, 6, 11 (M) Pumping Curves

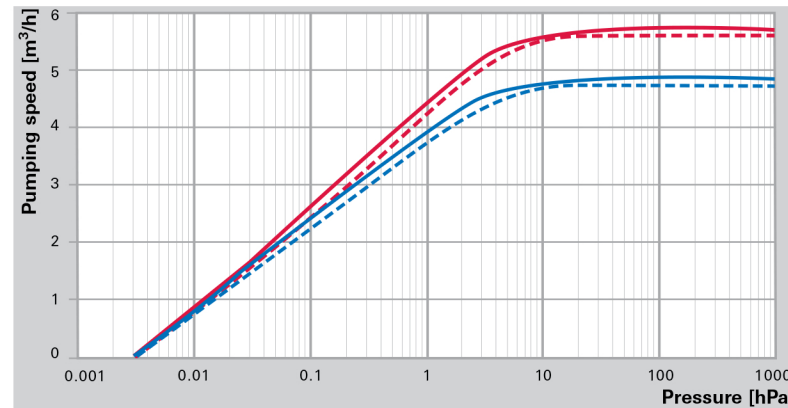
### DUO 1.6 (M)



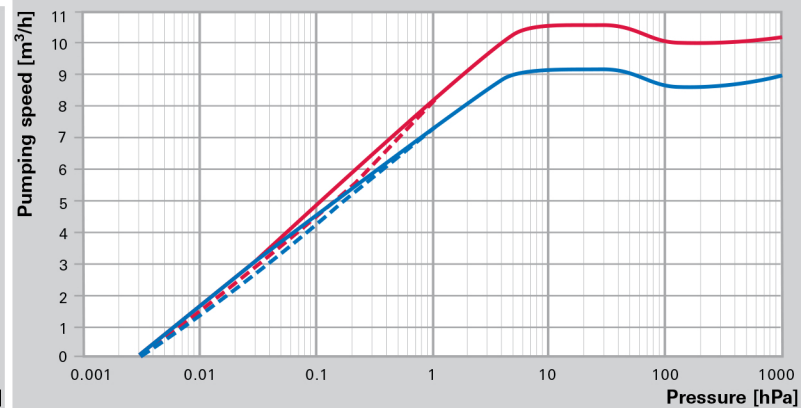
### DUO 3 (M)



### DUO 6 (M)



### DUO 11 (M)



- without gas ballast
- - - with gas ballast
- 60 Hz
- 50 Hz



# PROVAC

## S A L E S

PHONE: 831-462-8900

FAX: 831-462-3536

WWW.PROVAC.COM

---

## Pfeiffer DUO 1.6, 3, 6, 11 (M)

### Features & Benefits

- two stage rotary vane pump with new pumping system
- reliable operation as stand-alone or backing pump
- energy saving drive concept
- M series is magnetically coupled
- integrated safety & gas ballast valve
- integrated oil return connection
- compact design & optimized cooling
- convenient system integration

### Applications

- electron microscopy • gas analysis • industrial leak detection • general basic research • sputtering processes • x-ray fluorescence analysis