



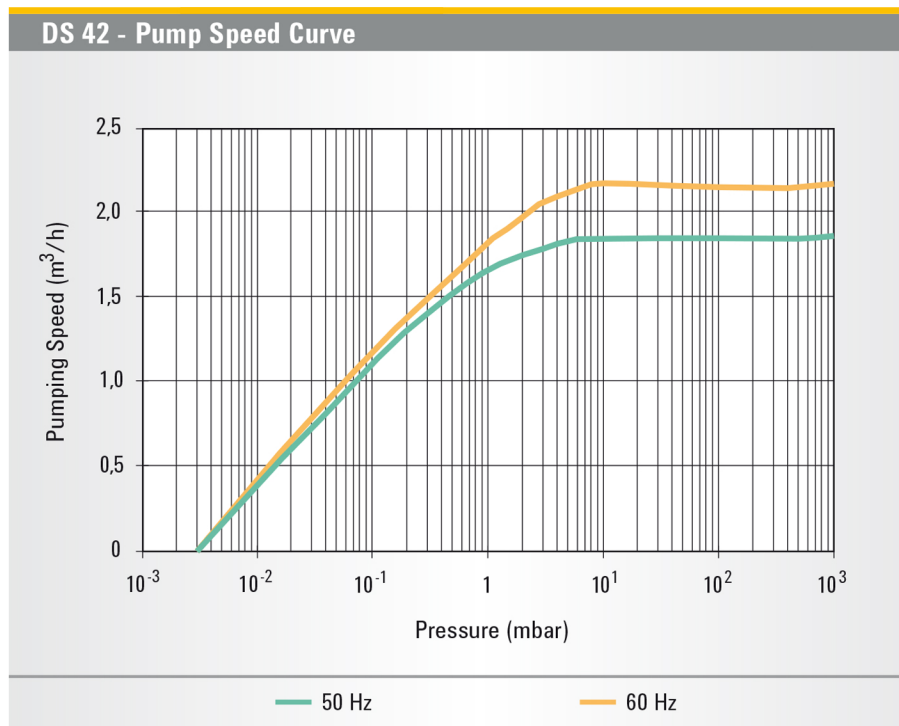
Varian DS-42

Technical Specifications

Free air displacement	60 Hz: 45.5 l/min (1.6 cfm)	50 Hz: 38 l/min (2.3 m ³ /h)
Pumping speed*	60 Hz: 1.2 cfm	50 Hz: 1.8 m ³ /h
Ultimate partial pressure*	10 ⁻⁴ mbar	
Ultimate total pressure*	4 x 10 ⁻³ mbar	
Ultimate total pressure with gas ballast*	2 x 10 ⁻² mbar	
Water vapor tolerance	15 mbar	
Water vapor capacity	25 g/h	
Oil capacity max	0.5 l	
Motor rating 1ph	60 Hz: 0.2 kW	50 Hz: 0.2 kW
Nominal rotation speed	60 Hz: 3480 rpm	50 Hz: 2280 rpm
Weight	11 kg (24 lbs)	
Inlet flange	16KF DN	
Exhaust flange	16KF DN	

* According to PNEUROP 6602

Pumping Curves





PROVAC

SALES

PHONE: 831-462-8900

FAX: 831-462-3536

WWW.PROVAC.COM

Varian DS-42

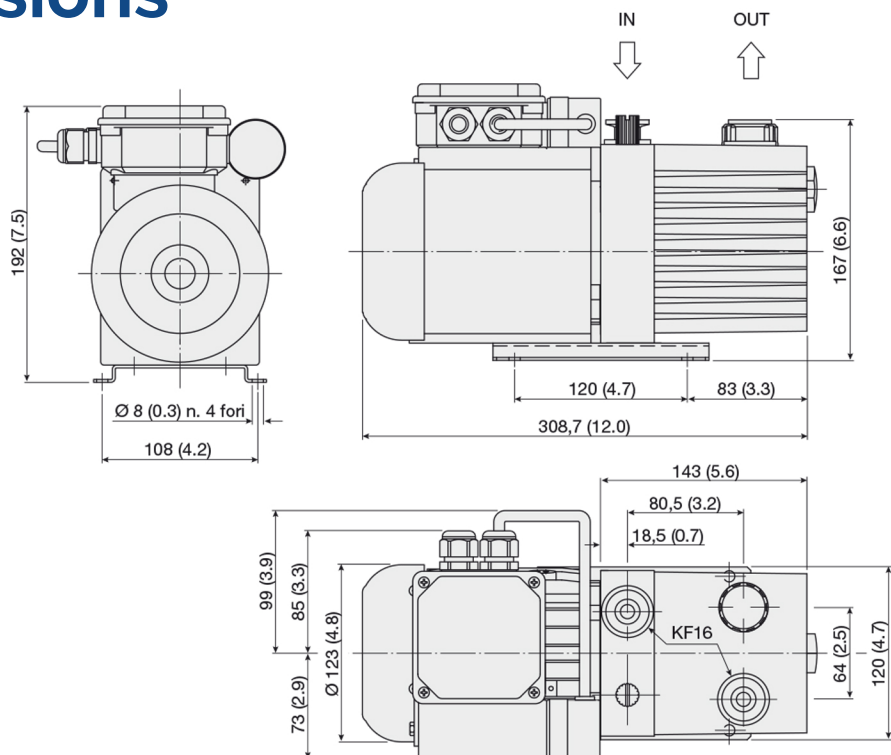
Features & Benefits

- anti-suckback valve and vent device
- forced oil circulation / air ventilation
- large pumping capacity
- universal voltage and frequency
- green technology
- built-in oil shield
- low power requirements

Applications

- analytical instruments • mass spectrometry • electron microscopes
- leak detection • industrial vacuum processes • high energy physics
- research laboratories

Dimensions



Dimensions: millimeters (inches)