



PROVAC

SALES

PHONE: 831-462-8900

FAX: 831-462-3536

WWW.PROVAC.COM

Varian DS-402, DS-602

Technical Specifications

		DS 402	DS 602
Free air displacement	60 Hz l/min (cfm) 50 Hz l/min (m ³ /h)	410 (14.5) 342 (20.5)	605 (21.4) 504 (30.2)
Pumping speed*	60 Hz (cfm) 50 Hz (m ³ /h)	12.3 17.4	17.6 25
Ultimate partial pressure* (mbar)		10 ⁻⁴	10 ⁻⁴
Ultimate total pressure* (mbar)		2 x 10 ⁻³	2 x 10 ⁻³
Ultimate total pressure with gas ballast* (mbar)		1 x 10 ⁻²	1 x 10 ⁻²
Water vapor tolerance (mbar)		30	30
Water vapor capacity (g/h)		350	550
Oil capacity min/max (l)		0.5/1	0.5/1
Motor rating 1 ph	60 Hz (kW) 50 Hz (kW)	0.90 0.75	0.90 0.75
Motor rating 3 ph	60 Hz (kW) 50 Hz (kW)	0.90 0.75	0.90 0.75
Nominal rotation speed	60 Hz (rpm) 50 Hz (rpm)	1800 1500	1800 1500
Weight kg (lbs)		35 (77)	35 (77)
Inlet flange		25KF DN	25KF DN
Exhaust flange		25KF DN	25KF DN

*According to PNEUROP 6602



PROVAC

SALES

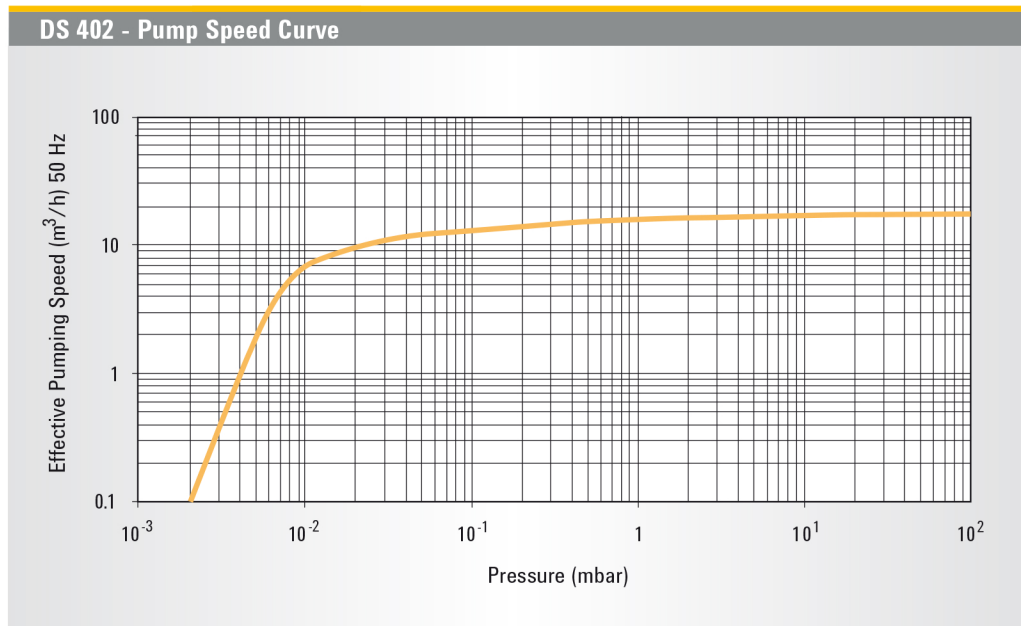
PHONE: 831-462-8900

FAX: 831-462-3536

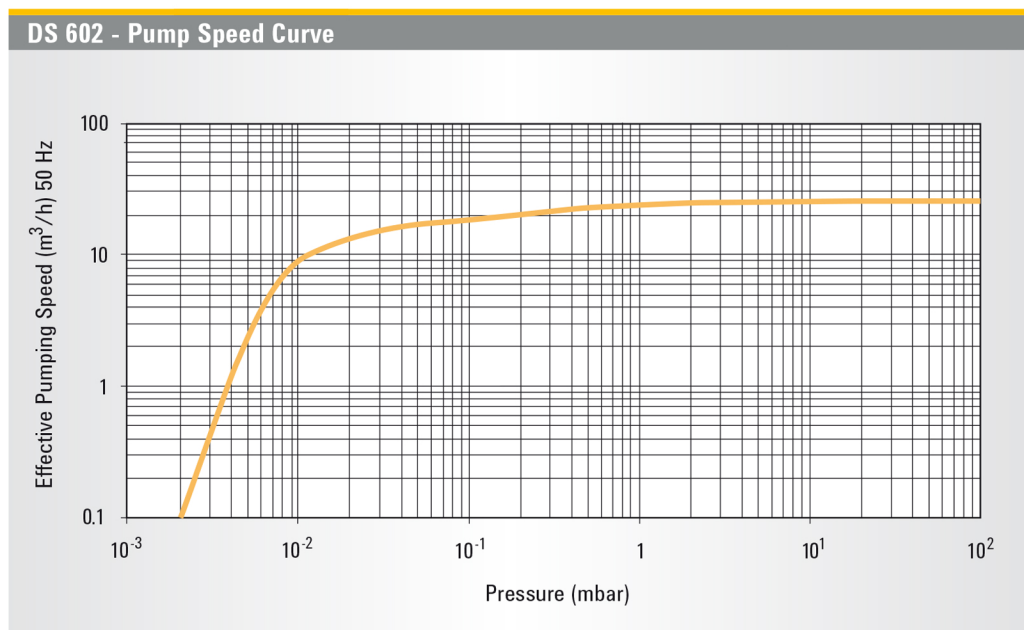
WWW.PROVAC.COM

Varian DS-402, DS-602 Pumping Curves

DS-402



DS-602





PROVAC

SALES

PHONE: 831-462-8900

FAX: 831-462-3536

WWW.PROVAC.COM

Varian DS-402, DS-602

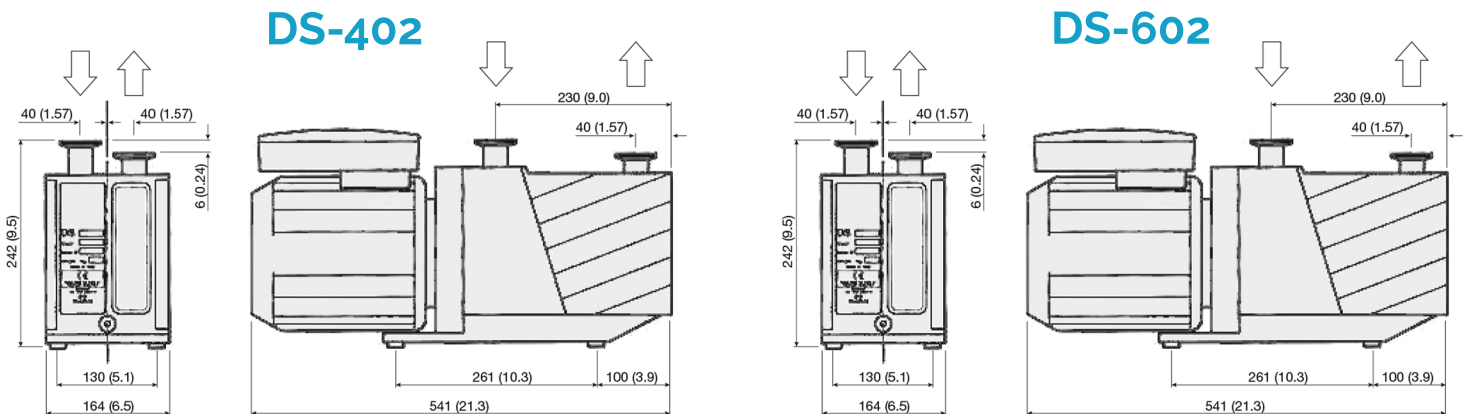
Features & Benefits

- anti-suckback valve and vent device
- forced oil circulation / air ventilation
- large pumping capacity
- universal voltage and frequency
- green technology
- built-in oil shield
- low power requirements

Applications

- analytical instruments • mass spectrometry • electron microscopes
- leak detection • industrial vacuum processes • high energy physics
- research laboratories

Dimensions



Dimensions: millimeters (inches)