



PROVAC

SALES

PHONE: 831-462-8900

FAX: 831-462-3536

WWW.PROVAC.COM

Varian DS-102, DS-202, DS-302

Technical Specifications

		DS 102	DS 202	DS 302
Free air displacement	60 Hz l/min (cfm)	114 (4)	192 (6.8)	285 (10)
	50 Hz l/min (m ³ /h)	95 (5.7)	160 (9.6)	237 (14.2)
Pumping speed*	60 Hz (cfm)	3.5	5.8	8.2
	50 Hz (m ³ /h)	5	8.3	11.6
Ultimate partial pressure* (mbar)		10 ⁻⁴	10 ⁻⁴	10 ⁻⁴
Ultimate total pressure* (mbar)		2 x 10 ⁻³	2 x 10 ⁻³	2 x 10 ⁻³
Ultimate total pressure with gas ballast* (mbar)		2 x 10 ⁻²	2 x 10 ⁻²	2 x 10 ⁻²
Water vapor tolerance (mbar)		15	15	20
Water vapor capacity (g/h)		60	100	160
Oil capacity min/max (l)		0.2/0.5	0.2/0.6	0.25/0.6
Motor rating 1 ph	60 Hz (kW)	0.45	0.45	0.45
	50 Hz (kW)	0.38	0.38	0.38
Motor rating 3 ph	60 Hz (kW)			
	50 Hz (kW)			
Nominal rotation speed	60 Hz (rpm)	1800	1800	1800
	50 Hz (rpm)	1500	1500	1500
Weight kg (lbs)		22 (48)	25 (55)	25 (55)
Inlet flange		25KF DN	25KF DN	25KF DN
Exhaust flange		25KF DN	25KF DN	25KF DN

*According to PNEUROP 6602



PROVAC

SALES

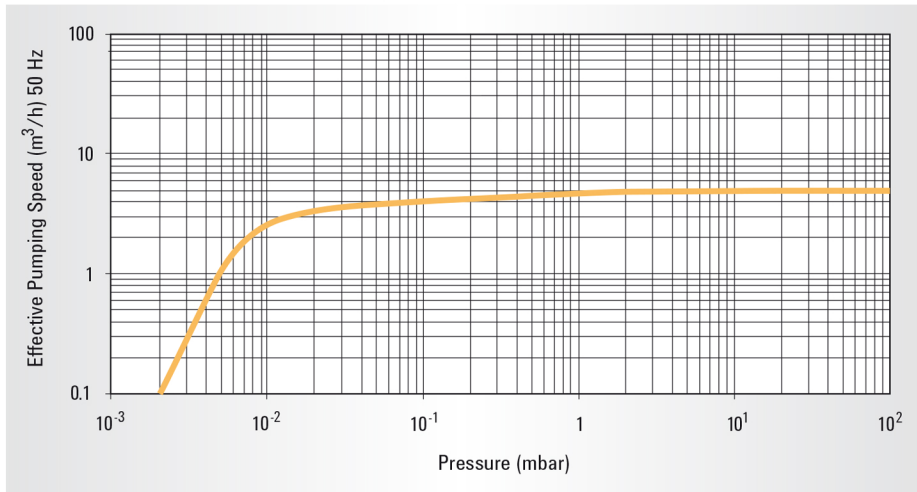
PHONE: 831-462-8900

FAX: 831-462-3536

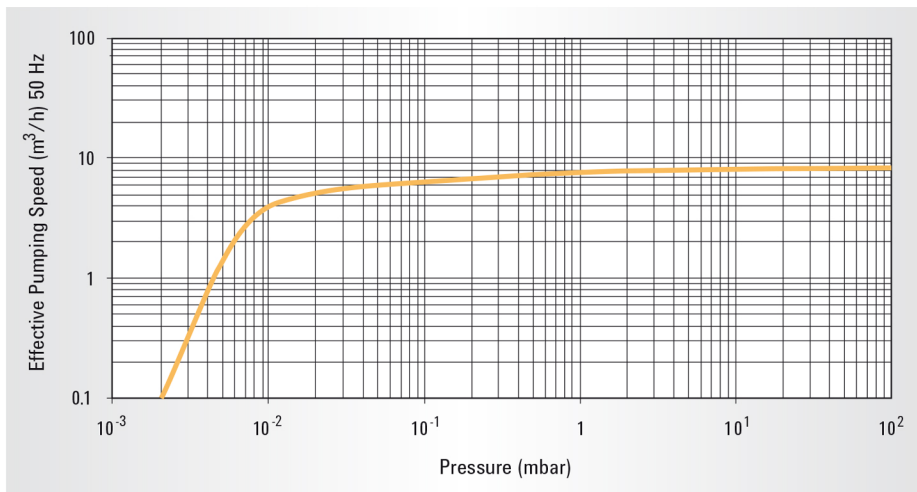
WWW.PROVAC.COM

Varian DS-102, DS-202, DS-302 Pumping Curves

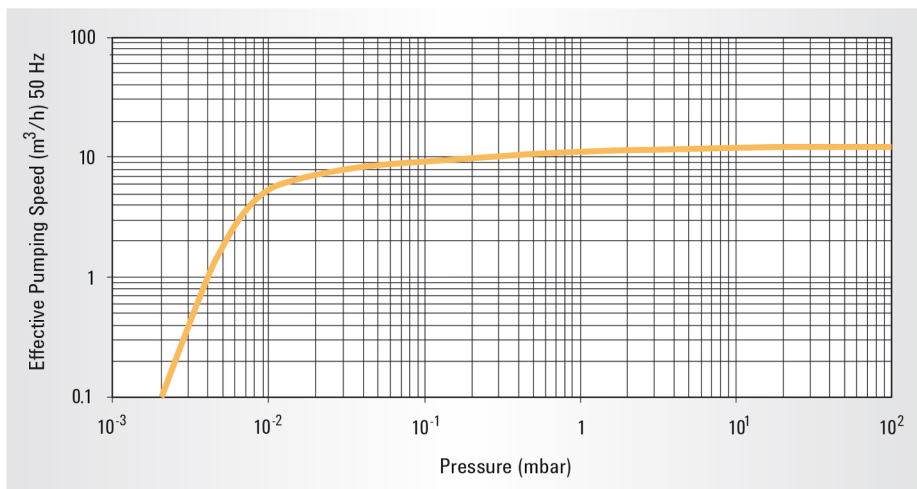
DS-102



DS-202



DS-302





PROVAC

SALES

PHONE: 831-462-8900

FAX: 831-462-3536

WWW.PROVAC.COM

Varian DS-102, DS-202, DS-302

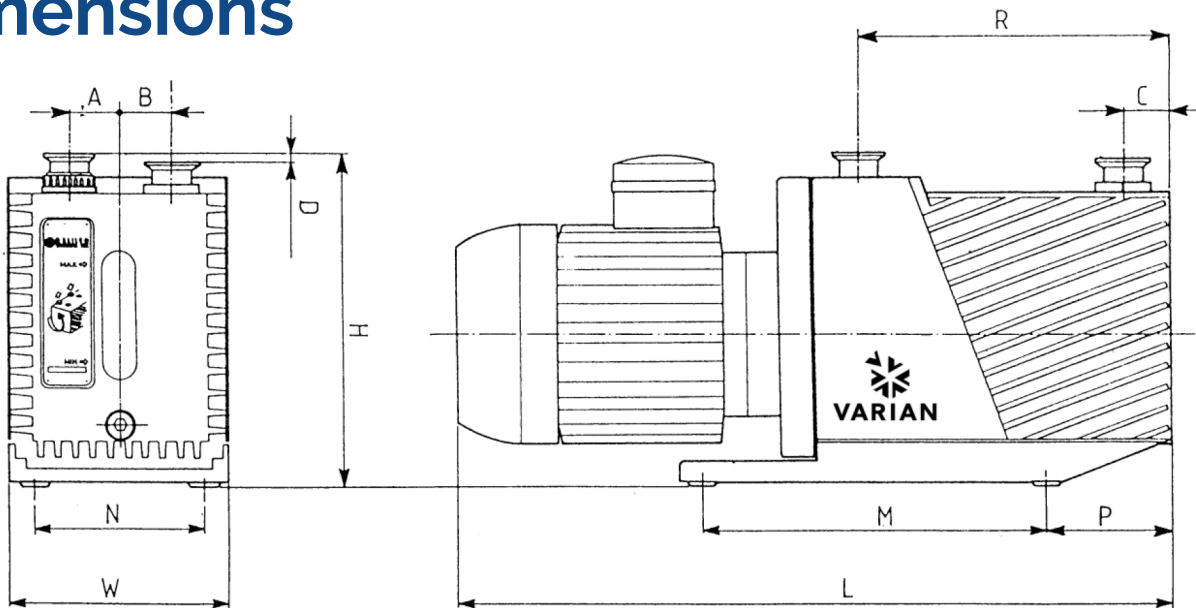
Features & Benefits

- anti-suckback valve and vent device
- forced oil circulation / air ventilation
- large pumping capacity
- universal voltage and frequency
- green technology
- built-in oil shield
- low power requirements

Applications

- analytical instruments • mass spectrometry • electron microscopes
- leak detection • industrial vacuum processes • high energy physics
- research laboratories

Dimensions



MODEL	UNITS	A	B	C	D	H	L	M	N	P	R	W
DS102	mm	30	30	35	3	212	430	250	100	105	165	132
	inch	1,18	1,18	1,38	0,12	8,3	16,9	9,8	3,9	4,1	6,5	5,2
DS202	mm	30	30	35	3	212	467	250	100	105	205	132
	inch	1,18	1,18	1,38	0,12	8,3	18,4	9,8	3,9	4,1	8,1	5,2
DS302	mm	30	30	35	3	212	467	250	100	105	205	132
	inch	1,18	1,18	1,38	0,12	8,3	18,4	9,8	3,9	4,1	8,1	5,2