



Leybold DK-100, DK-200

Technical Specifications

| | | DK-100 | DK-200 |
|---|------|--------------------|--------------------|
| Displacement | CFM | 68 | 132 |
| Compression Ratio Between Stages | | 2:1 | 4:1 |
| Ultimate Partial Pressure, Without Gas-Ballast Valve, Approximately | Torr | 1×10^{-4} | 1×10^{-4} |
| Ultimate Total Pressure, With Gas-Ballast Valve, Approximately | Torr | 2×10^{-3} | 2×10^{-3} |
| Water Vapor Tolerance | Torr | 20 | 20 |
| Maximum Gas Ballast Flow | CFM | 2.95 | 3.53 |
| Oil Capacity- Pump Plus Gear Housing | qt | 2.5 | 4.6 |
| Motor (T.E. F.C. 60Hz) | hp | 5 | 7.5 |
| Rotational Speed of Pump | rpm | 540 | 540 |
| Nominal Rotational Speed of Motor | rpm | 1800 | 1800 |
| Weight | lb | 560 | 830 |
| Intake Flange | | 3-inch ANSI | 3-inch ANSI |
| Exhaust Flange | | KF50 | 3-inch ANSI |



PROVAC

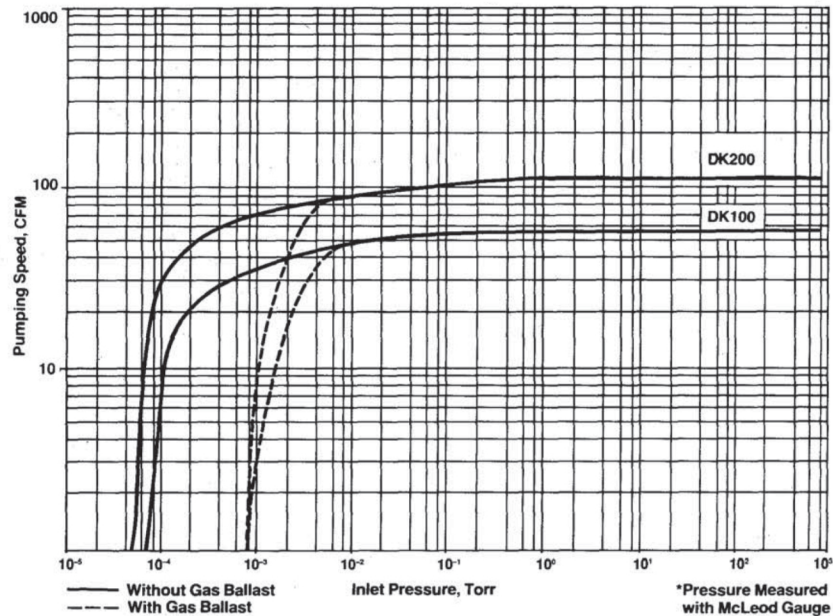
SALES

PHONE: 831-462-8900

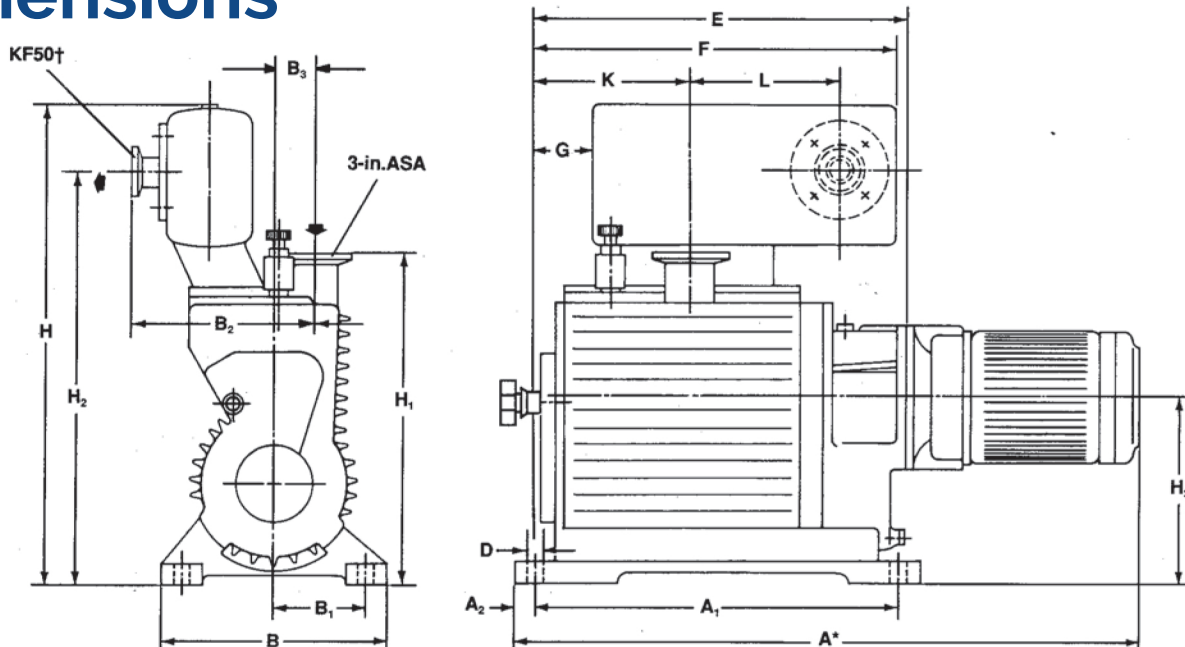
FAX: 831-462-3536

WWW.PROVAC.COM

Leybold DK-100, DK-200 Pumping Curves



Dimensions



| Model | Intake Flange | Exhaust Flange | A* | A ₁ | A ₂ | B | B ₁ | B ₂ | B ₃ | D | E | F | G | H | H ₁ | H ₂ | H ₃ | K | L |
|-------|---------------|----------------|---|---|--|---|--|--|--|--|--|---|--|---|--|---|---|--|--|
| DK100 | 3-inch ASA | KF50 | 38 ¹ / ₂ (978) | 21 ¹ / ₄ (540) | 1 ³ / ₁₆ (30) | 13 ³ / ₈ (340) | 5 ¹ / ₂ (140) | 12 ³ / ₁₆ (309.5) | 2 ⁵ / ₁₆ (59) | 9 ¹ / ₁₆ (14) | 21 ¹ / ₈ (537) | 20 ⁷ / ₈ (530) | 2 ³ / ₄ (70) | 28 ¹ / ₈ (715) | 19 ¹ / ₁₆ (475) | 23 ¹³ / ₁₆ (605) | 11 ⁵ / ₈ (295) | 8 ⁹ / ₁₆ (217) | 8 ¹ / ₁₆ (220) |
| DK200 | 3-inch ASA | 3-inch ASA | 48 (1220) | 30 ¹¹ / ₁₆ (780) | 1 ³ / ₁₆ (30) | 13 ³ / ₈ (340) | 5 ¹ / ₂ (140) | 11 ¹ / ₂ (292) | 2 ¹ / ₁₆ (52) | 9 ¹ / ₁₆ (14) | 30 ⁹ / ₁₆ (776) | 29 ¹ / ₂ (750) | 2 ⁹ / ₁₆ (65) | 29 ¹ / ₈ (740) | 19 ¹ / ₁₆ (475) | 25 ¹ / ₁₆ (636) | 11 ⁵ / ₈ (295) | 13 ⁹ / ₃₂ (337) | 11 ⁷ / ₁₆ (290) |

*Reference Dimension