



Ulvac DIS-90

Technical Specifications

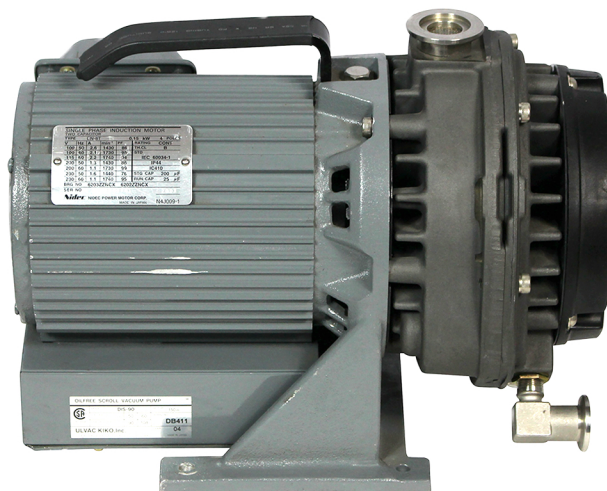
	Unit	50Hz	60Hz
Actual pumping speed ^{※1}	L/min	90	108
Ultimate pressure	Pa (kPa)	5.0	
Motor ^{※2}		Single phase, 100/115/200/230V, 150W, 4P Capacitor start/run	
Full load current	A	2.6/1.3/1.6 (100/200/230V)	2.1/2.2/1.1/1.1 (100/115/200/230V)
Weight	kg	14.0	
Inlet flange		KF-25	
Outlet pipe diameter		KF-16	
Ambient temperature	°C	5~40	
Water vapor handling	g/day	≒5 以下 (AFopen ^{※3} , Room temperature 25°C, Humidity 60% or less)	
Noise level	dB	≒52 (AFopen ^{※3} , ≒57)	
External dimensions	mm	214(W)×308(L)×225(H)	

※1 : Actual pumping speed is about 1.2 times the Actual pumping speed when a gas at atmospheric pressure is sucked.

※2 : Power supply plug and Power supply code are not included.

※3 : AF=Air flush

The air flush operation not only discharges the water remaining in the pump, but also has the effect of recovering the Ultimate pressure.





PROVAC

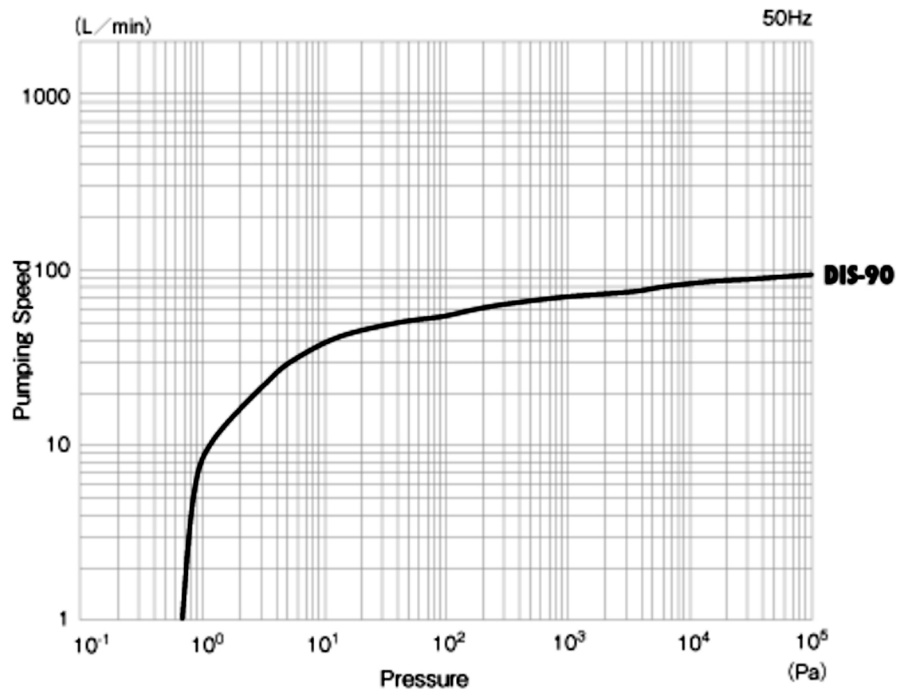
SALES

PHONE: 831-462-8900

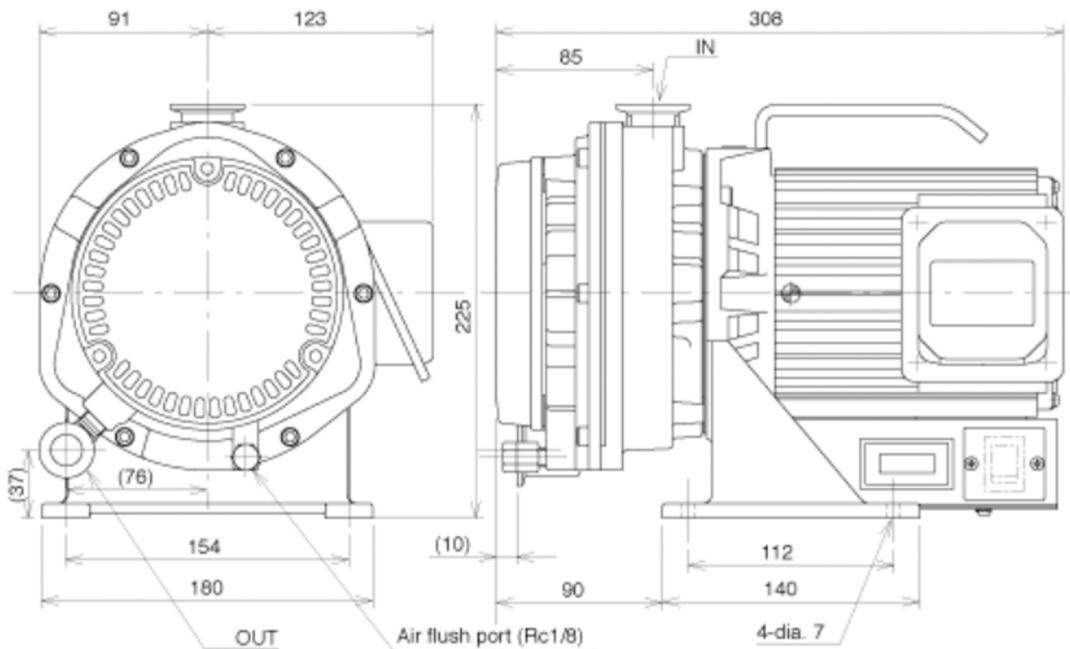
FAX: 831-462-3536

WWW.PROVAC.COM

Ulvac DIS-90 Pumping Curves



Dimensions





PROVAC

SALES

PHONE: 831-462-8900

FAX: 831-462-3536

WWW.PROVAC.COM

Ulvac DIS-90

Features & Benefits

- compact size with large displacement
- highest level of ultimate pressure for dry vacuum pumps
- safety design with built-in automatic reset type thermal protector
- suppresses moisture condensation by air flush
- double wrap type pump consists of 1 orbiting & 2 fixed scrolls
- operation from atmospheric pressure is possible
- high ultimate pressure level is attainable
- low vibration & noise
- maintenance cycle can be controlled by hour meter

Applications

- analytical equipment • gas recovery system • coating equipment
- backing pump for TMP • helium leak detector • manufacturing process for semiconductor

