

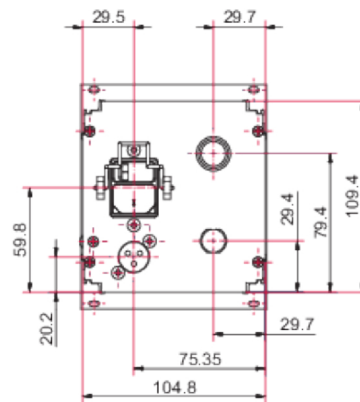
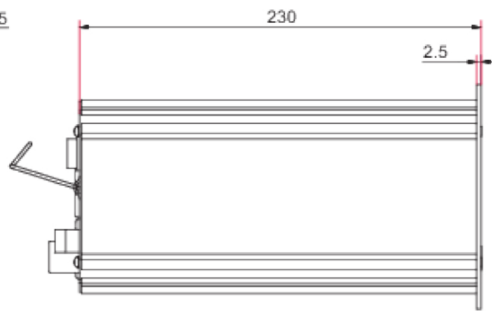
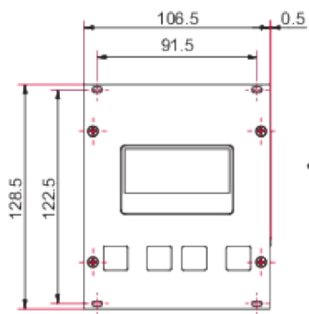


Pfeiffer DCU-310

Technical Specifications

DCU 310	
Ambient temperature	5-50 °C 41-122 °F 278-323 K
Mains connection: frequency (range)	50/60 Hz
Mains connection: power consumption	340 VA
Mains connection: voltage (range)	115-230 (-20-+15 %) V AC
Output current	12.5 A
Output voltage	24 (± 2 %) V DC
Power consumption max.	340 VA
Power supply pack	DCU 310
Protection degree	IP20
Weight	1.85 kg 4.08 lb

Dimensions



- A 227.5 mm
- B 230 mm
- C 128.5 mm
- D 111.2 mm
- E 106 mm
- F 106.4 mm

