



Edwards D-Lab Series

Technical Specifications

	Units	D-LAB
Pumping speed (air)		
10-100, 10-8	m ³ h ⁻¹ / lmin ⁻¹	0.6 / 10
20-100, 20-8	m ³ h ⁻¹ / lmin ⁻¹	1.2 / 20
34-100, 34-8	m ³ h ⁻¹ / lmin ⁻¹	2 / 34
Ultimate vacuum		
10-100, 20-100, 34-100	mbar, Hz / mbar, Hz	100, 50 / 75, 60
10-8, 20-8, 34-8	mbar, Hz / mbar, Hz	8, 50 / 6, 60
Inlet and outlet connection		Riffled nozzle, suitable for 9 mm i.d. hose
Maximum inlet pressure	bar	1
Motor power and current		
10-100, 110 V 60 Hz	W / A	110 / 1.3
10-100, 220-240 V 50Hz	W / A	100 / 0.6
20-100, 110 V 60 Hz	W / A	145 / 1.9
20-100, 220-240 V 50Hz	W / A	130 / 0.9
34-100, 110 V 60 Hz	W / A	220 / 3.2
34-100, 220-240 V 50Hz	W / A	180 / 1.4
10-8, 100 V 60 Hz	W / A	110 / 1.3
10-8, 220-240 V 50Hz	W / A	90 / 0.6
20-8, 110 V 60 Hz	W / A	130 / 1.2
20-8, 220-240 V 50Hz	W / A	120 / 0.9
34-8, 110 V 60 Hz	W / A	250 / 3.2
34-8, 220-240 V 50 Hz	W / A	200 / 1.5
Enclosure rating		IP44
Operating temperature	°C	5-40
Weight		
10-100	kg / lbs	5.8 / 12.8
20-100	kg / lbs	7.1 / 15.6
34-100	kg / lbs	10.3 / 22.7
10-8	kg / lbs	6.9 / 15.2
20-8	kg / lbs	9.3 / 20.5
34-8	kg / lbs	12.6 / 27.7



PROVAC

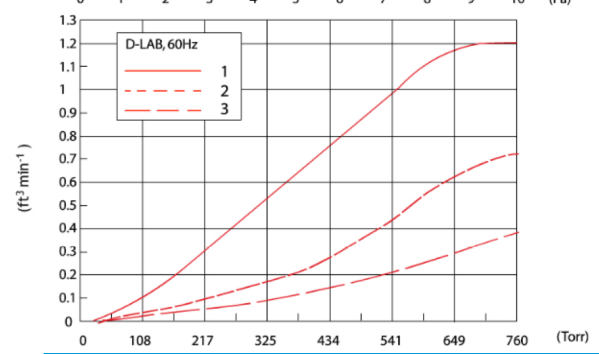
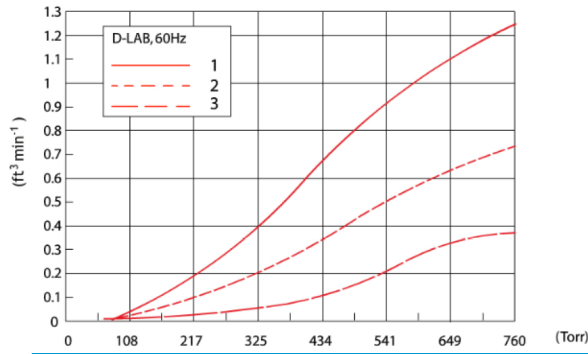
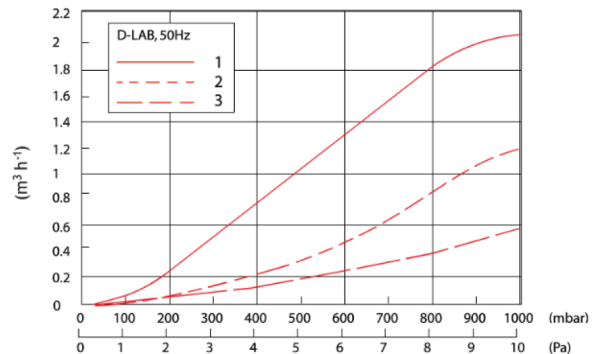
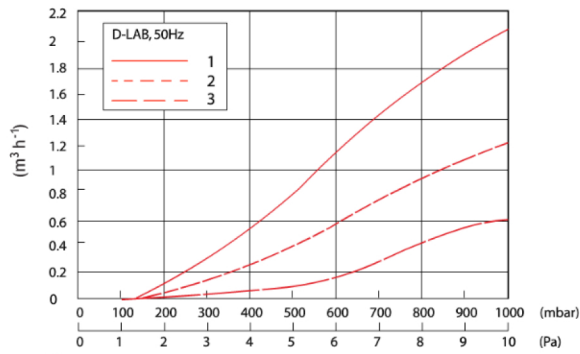
SALES

PHONE: 831-462-8900

FAX: 831-462-3536

WWW.PROVAC.COM

Edwards D-Lab 10-100 Pumping Curves



1 D-LAB 34-100

2 D-LAB 20-100

3 D-LAB 10-100

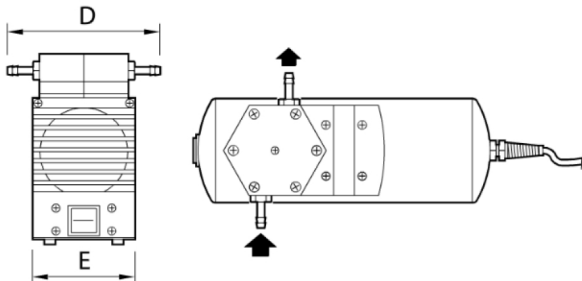
1 D-LAB 34-8

2 D-LAB 20-8

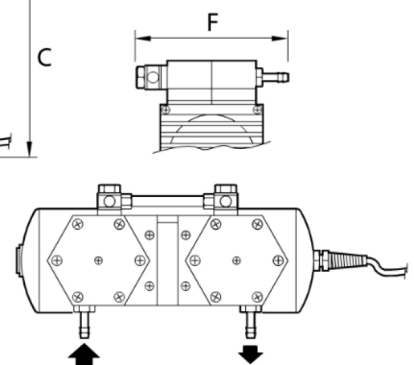
3 D-LAB 10-8

Dimensions

One head pump



Two head pump



	A	B	C	D	E	F
10-100	255	50	182	144	98	-
20-100	268	60	204	157	110	-
34-100	296	60	222	172	122	-
10-8	288	53	184	-	98	140
20-8	312	59	204	-	110	153
34-8	341	62	222	-	122	169



PROVAC

SALES

PHONE: 831-462-8900

FAX: 831-462-3536

WWW.PROVAC.COM

Edwards D-Lab 10-100 Features & Benefits

- gas-tight, 100 oil-free, maintenance-free and quiet
- high ultimate vacuum & fast pump down time
- resistant against aggressive substances
- valve system tolerant of water vapor & condensates
- thermal cut-out provides overload protection
- compact design with space saving dimensions

Applications

- rotary evaporation • gel drying • vacuum desiccation • vacuum filtration • vacuum degassing • vacuum impregnation • water-jet pump replacement • gas transfer • medium vacuum applications
- oil-free pumping

