



Leybold D-5E, D-10E, D-16E

Technical Specifications

		D 5 E	D 10 E	D 16 E
Nominal pumping speed* 50/60 Hz	m ³ ·h ⁻¹	6/7,3	12/14,6	21/23,6
Pumping speed 50/60 Hz	m ³ ·h ⁻¹	5,2/6	9,9/11,3	16/19
Ult. partial pressure without gas ballast	mbar	≤ 5 x 10 ⁻⁴	≤ 5 x 10 ⁻⁴	≤ 5 x 10 ⁻⁴
Ult. total pressure without gas ballast**	mbar	≤ 2 x 10 ⁻³	≤ 2 x 10 ⁻³	≤ 2 x 10 ⁻³
Ult. total press. w. gas ballast (stage 2)**	mbar	≤ 3 x 10 ⁻²	≤ 3 x 10 ⁻²	≤ 3 x 10 ⁻²
Water vapour tolerance				
Stage 1	mbar	10	10	10
Stage 2	mbar	30	20	20
Stage 3	mbar	40	30	30
Connection port	DN	16 KF	25 KF	25 KF
Noise level (50 Hz)	dB (A)	≤ 49	≤ 49	≤ 52
Permissible ambient temperature	°C	10 bis 50 (EURO - Motor) / 10 to 40 (USA/Japan - Motor)		
Oil filling max./min	l	1,25/0,75	1,25/0,75	1,25/0,75
Motor power 50/60 Hz	W	450/550	450/550	700/850
Speed 50/60 Hz	rpm	1350/1650	1350/1650	1380/1650
Protection	IP	54	54	54
Weight with operating agent***kg	kg	22,1	24,2	30,7
Dimensions (W x H x D)***	mm	156 x 258 x 416	156 x 258 x 435	170 x 258 x 494

* to DIN 28 426 T1 ** to DIN 28 400 and subsequent numbers *** Dimensions and weights with Euro motor

		Voltage (V)	Frequency (Hz)	Voltage tolerance	Power consumption (W)	Nom. current (A)	Fuse* (A)	Protection IP	Nom. speed (rpm)
D 5 E									
Euro	1~	220-240/230	50/60	± 5 %	450/540	2,5/2,4	10	54	1350/1650
Three-ph. motor	Δ	220-240/	50	± 5 %	550	2,8	6	54	1500
	3~	Y 346/415				1,6			
		Δ 200-266/	60	± 5 %	650	2,8	6	54	1800
		Y 346-460				1,6			
D 10 E									
Euro	1~	220-240/230	50/60	± 5 %	450/540	2,5/2,4	10	54	1350/1650
Three-ph. motor	Δ	220-240/	50	± 5 %	550	2,8	6	54	1500
	3~	Y 346/415				1,6			
		Δ 200-266/	60	± 5 %	650	2,8	6	54	1800
		Y 346-460				1,6			
Wide voltage-motor	1~	110-120; 208-240	50/60	± 5 %	490/550	6,8/5,6 3,4/2,8	10	54	1350/1650
D 16 E									
Euro	1~	220-240	50/60	± 5 %	700/850	5,3/4,6	10	54	1380/1650
Three-ph. motor	Δ	220-240/	50	± 5 %	650	4	10	54	1430
	3~	Y 346-415				2,3			
		Δ 200-277/	60	± 5 %	750	3,6	10	54	1720
		Y 346-480				2,1			



PROVAC

SALES

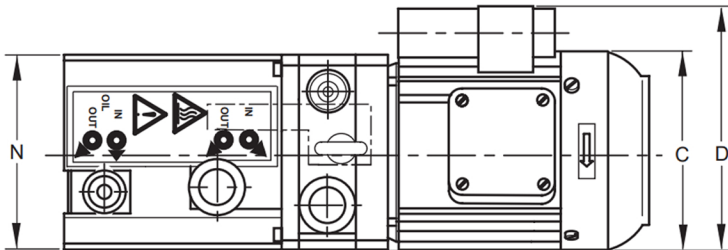
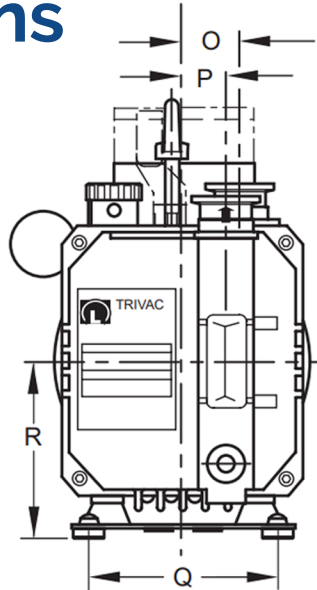
PHONE: 831-462-8900

FAX: 831-462-3536

WWW.PROVAC.COM

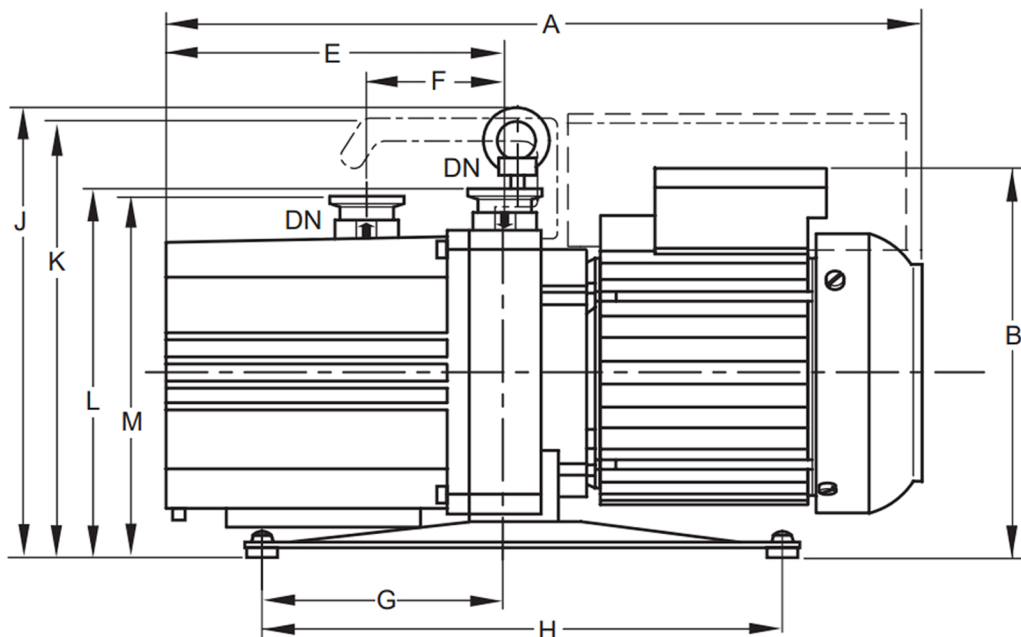
Leybold D-5E, D-10E, D-16E

Dimensions



Description	D 5 E	D 10 E	D 16 E	
A	1~, EURO	421	440	494
	1~, World	-	440	-
	3~, World	421	440	479
B	1~, EURO	231	231	242
	1~, World	-	249	-
	3~, World	212	212	228
C	1~, EURO	156	156	170
	1~, World	-	156	-
	3~, World	156	156	170
D	1~, EURO	182	183	171
	1~, World	-	**	-
E		192	195	231
F		77	80	116
G		143	140	176
H		300	300	300
J		258	258	258
K		253	253	253
L		210	210	210
M		205	205	205
N		140	140	140
O		38	38	38
P		29	29	29
Q		110	110	110
R		105	105	105
DN		16	25	25

* Capacitor at both sides of the motor all dimensions in mm
 ** Capacitor in the terminal box





PROVAC

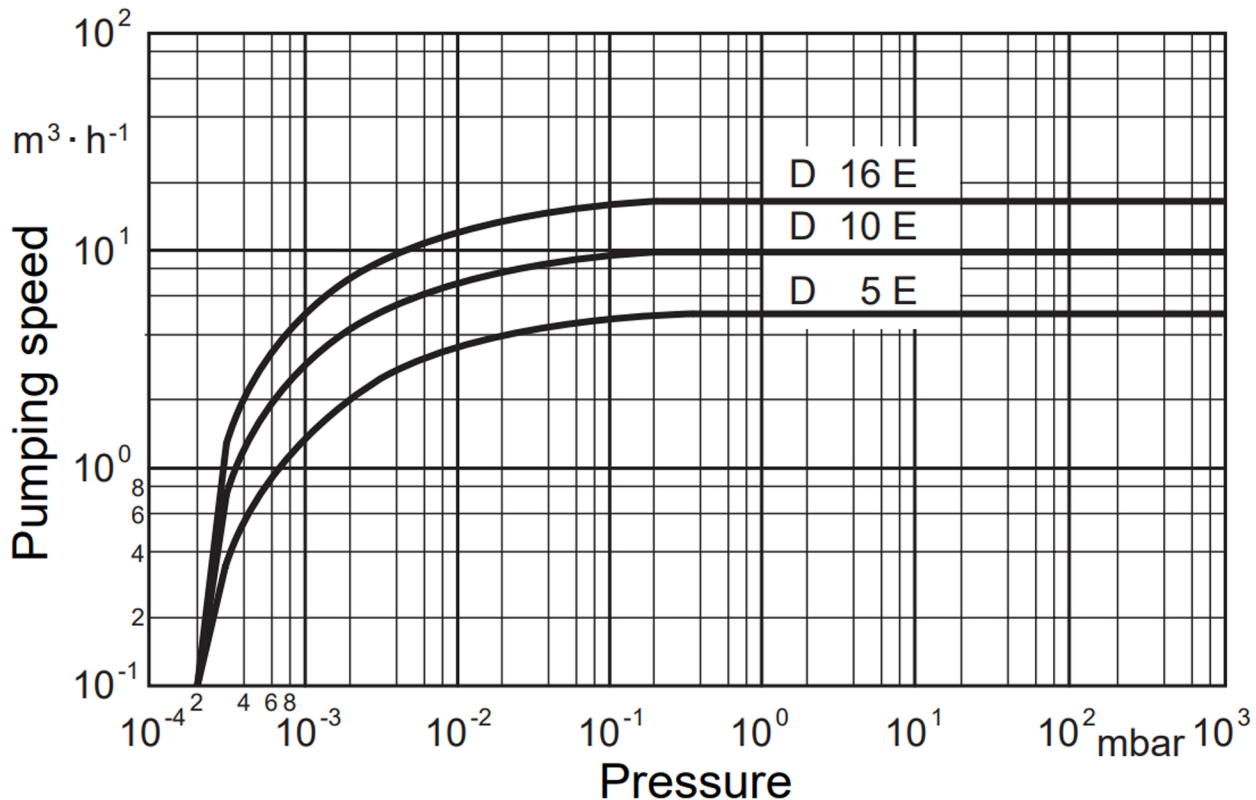
SALES

PHONE: 831-462-8900

FAX: 831-462-3536

WWW.PROVAC.COM

Leybold D-5E, D-10E, D-16E Pumping Curves



Applications

- gas analyzers • leak detection • mass spectrometers • electron microscopes • surface analyzers • centrifuges • sterilization
- electron tubes • lamps • TV tubes (CRT) • refrigeration • air conditioning • drying • distillation • metallurgy • free drying
- CVD.LPCVD • ion implantation • dry etching • load-lock
- cryogenics • gas recovery • oxygen pumping