



PROVAC

SALES

PHONE: 831-462-8900

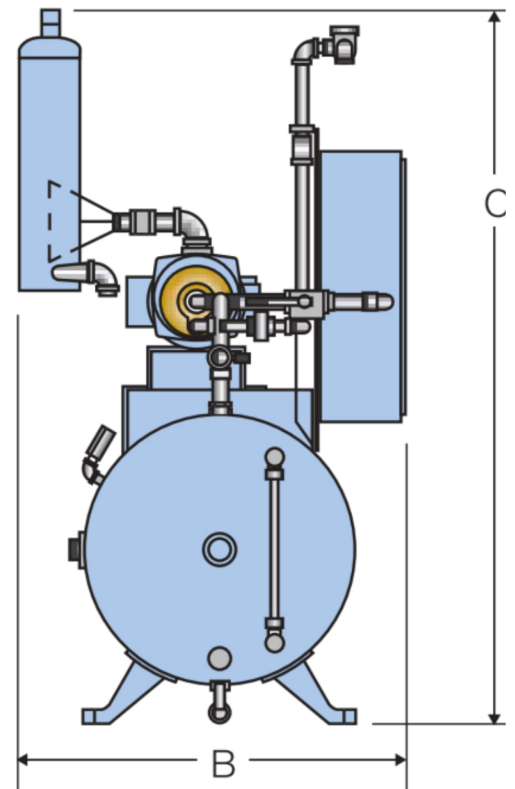
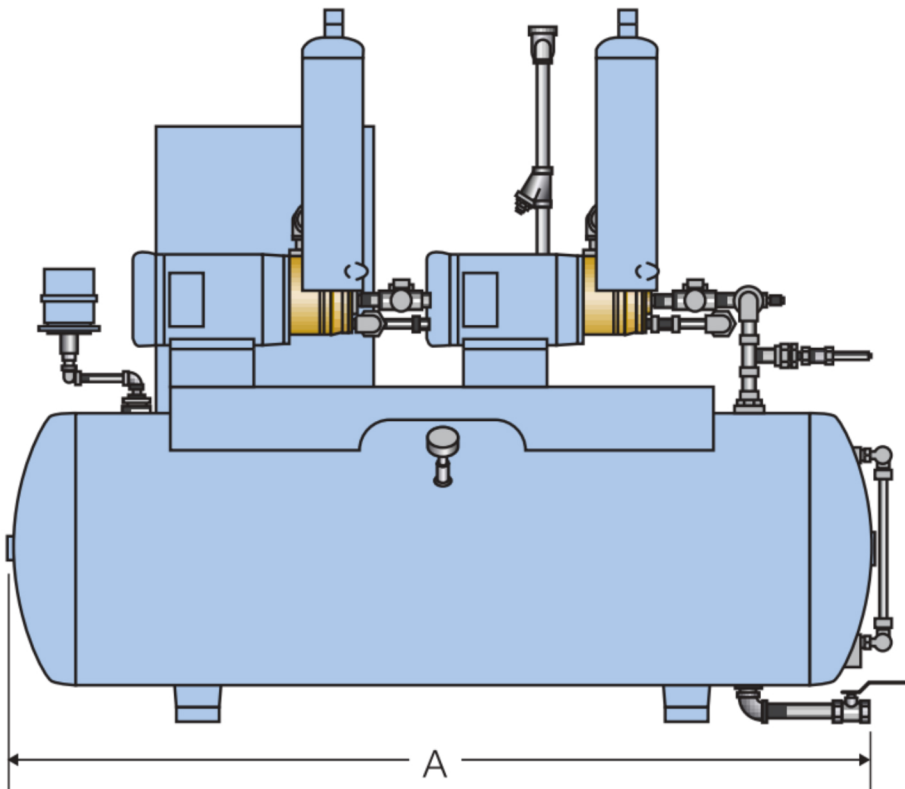
FAX: 831-462-3536

WWW.PROVAC.COM

Atlantic Fluidics CVP Systems

Technical Specifications

MODEL	CFM at vacuum in Hg				Simplex or Duplex	Motor		Tank Cap-Gals	Dimensions - Inches			Wt. lbs./kg
	15	20	25	28		HP	RPM		A	B	C	
CVP-A10S	15	15	14	10	S	1 1/2	3550	80	63	30	58	335/152
CVP-A15S	20	20	20	13	S	2	3550	80	63	30	58	345/157
CVP-A20S	32	32	32	17	S	3	3550	80	63	30	58	350/159
CVP-A75S	72	72	72	45	S	5	1750	120	69	33	62	550/250
CVP-A100S	105	105	102	60	S	7 1/2	1750	120	69	33	62	590/268
CVP-A130S	125	125	118	65	S	10	1750	120	69	33	62	620/282
CVP-A10D	30	30	28	20	D	2 x 1 1/2	3550	80	63	30	58	410/186
CVP-A15D	40	40	40	26	D	2 x 2	3550	80	63	30	58	430/195
CVP-A20D	64	64	64	34	D	2 x 3	3550	120	69	33	62	570/259
CVP-A75D	144	144	144	90	D	2 x 5	1750	120	69	33	62	710/323
CVP-A100D	210	210	204	120	D	2 x 7 1/2	1750	200	72	36	68	1000/454
CVP-A130D	250	250	236	130	D	2 x 10	1750	200	72	36	68	1060/482





PROVAC

SALES

PHONE: 831-462-8900

FAX: 831-462-3536

WWW.PROVAC.COM

Atlantic Fluidics CVP Systems Features & Benefits

- simplex: one pump
- duplex: two pumps
- provides a remote supply of plant vacuum which can be located away from the production area or vacuum outlets
- reduced noise & heat in the work area
- energy-efficient systems designed to operate automatically
- vacuum is maintained via pressure switches that cycle the pump(s)
- axial flow pump design
- quiet, vibration free operation
- air discharge water separator silencers

Applications

- vacuum packaging • medical/dental vacuum • laboratory vacuum
- vacuum priming • vacuum pressure impregnation • food processing