



Kinney CB 1630, 1650, 1685, 2085

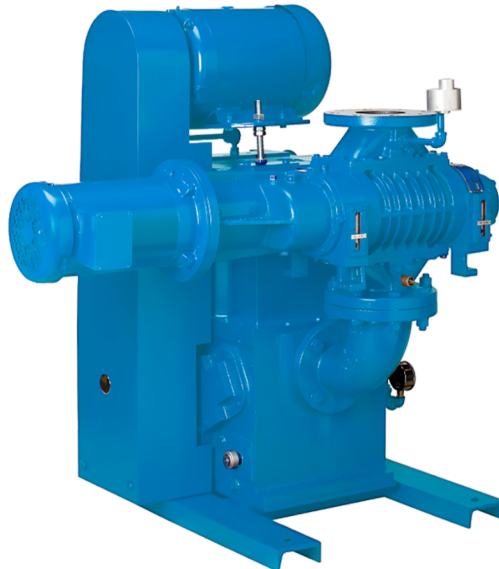
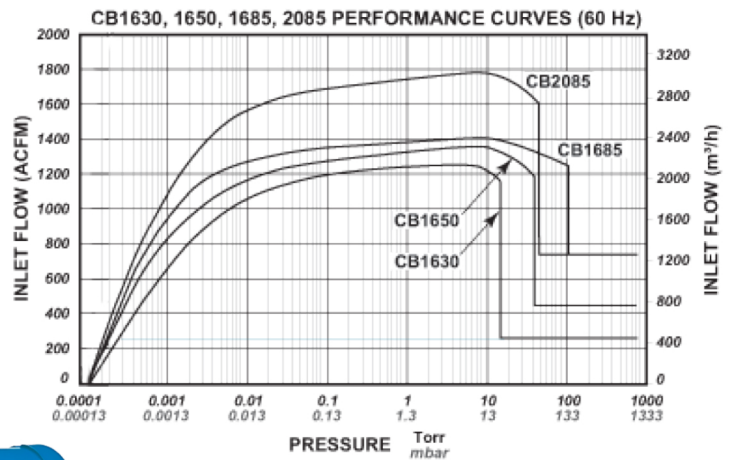
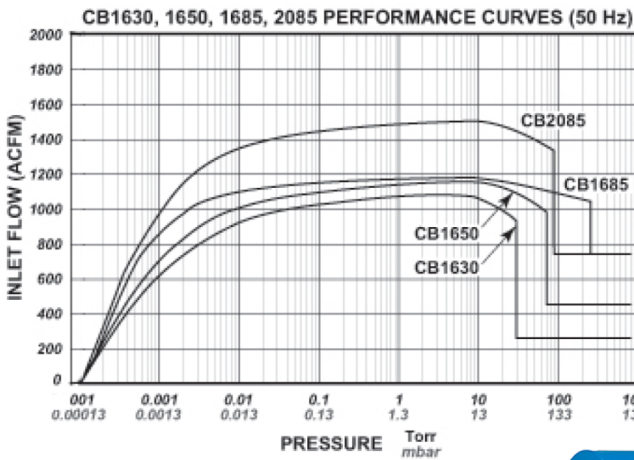
Technical Specifications

SYSTEM MODEL	Hz	CIP ¹ (TORR)	MAXIMUM COP ² (TORR)	BOOSTER MODEL	DISPLACEMENT CFM / m ³ /h	HP/kW	PUMP MODEL	DISPLACEMENT CFM / m ³ /h	HP/kW
CB1630	60	15	4	KMBD-1600C	1600 / 2700	10 / 7.5	KT-300	300 / 500	15 / 11
	50	30	6						
CB1650	60	40	20	KMBD-1600C	1600 / 2700	15 / 11	KT-500	500 / 850	30 / 22
	50	70	66						
CB1685	60	105	105	KMBD-1600C	1600 / 2700	15 / 11	KT-850	780 / 1330	40 / 30
	50	240	240						
CB2085	60	45	45	KMBD-2000C	2000 / 3400	15 / 11	KT-850	780 / 1330	40 / 30
	50	85	85						

¹ CIP = Cut-in Pressure

² COP = Continuous Operating Pressure

Pumping Curves





PROVAC

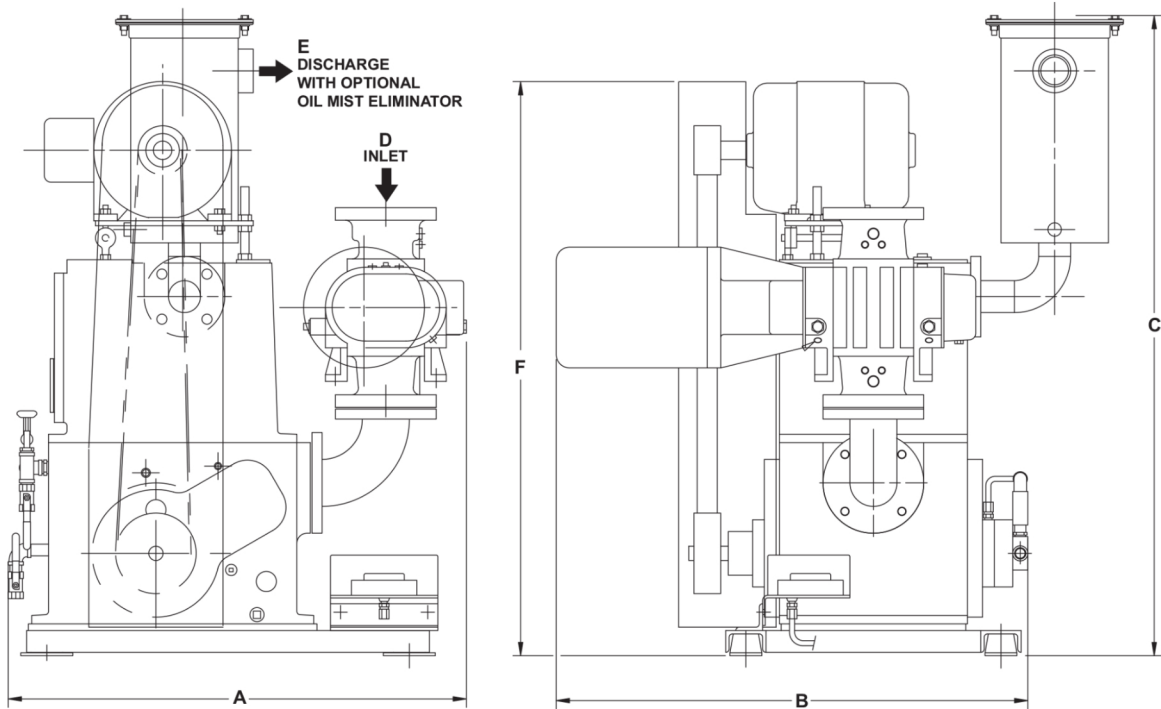
SALES

PHONE: 831-462-8900

FAX: 831-462-3536

WWW.PROVAC.COM

Kinney CB 1630, 1650, 1685, 2085 Dimensions



MODEL	A	B	C	D INLET	E DISCHARGE	F	G
CB1630	44 / 1118	50 / 1270	58 / 1473	6" FLG	3" NPT	55 / 1397	59 / 1499
CB1650	54 / 1372	53 / 1346	72 / 1829	6" FLG	4" FLG	65 / 1651	68 / 1727
CB1685	57 / 1448	58 / 1473	86 / 2184	6" FLG	5" FLG	75 / 1905	75 / 1905
CB2085	57 / 1448	78 / 1981	86 / 2184	8" FLG	5" FLG	75 / 1905	80 / 2032

Features & Benefits

- high pumping capacity
- quiet, vibration-free operation
- water-cooled for low operating temperatures
- compact, tough, durable

Applications

- vacuum packaging • vacuum furnaces • vacuum coating • sputtering
- space simulation