



# Alcatel ATH-400M, ATH-1300M, ATH-1600M, ATH-2300M

## Technical Specifications

		ATH 400 M ATH 400 MT		ATH 1300 M ATH 1300 MT		ATH 1600 M ATH 1600 MT		ATH 2300 M ATH 2300 MT	
Rotational speed	rpm	39000		34000		39000		31000	
Inlet flange		DN100 ISO-K	DN160 ISO-K	DN160 ISO-F	DN200 ISO-F	DN200 ISO-F	DN250 ISO-F	DN250 ISO-F	
Pumping speed	N <sub>2</sub> I/s	320	410	920	1250	1400	1500	2100	
	He I/s	290	360	810	850	1150	1150	2200	
	H <sub>2</sub> I/s	180	230	490	550	750	750	1200	
Compression ratio	N <sub>2</sub>	1x10 <sup>7</sup>		1x10 <sup>7</sup>		6x10 <sup>7</sup>		> 10 <sup>9</sup>	
	He	2x10 <sup>3</sup>		2x10 <sup>3</sup>		8x10 <sup>3</sup>		3x10 <sup>4</sup>	
	H <sub>2</sub>	1x10 <sup>2</sup>		1x10 <sup>2</sup>		3x10 <sup>2</sup>		3x10 <sup>3</sup>	
Ultimate pressure	mbar	8x10 <sup>-9</sup>		8x10 <sup>-9</sup>		6x10 <sup>-9</sup>		4x10 <sup>-9</sup>	
Purging nitrogen flow rate	sccm	50		50		50		50	
Maximum continuous inlet pressure N <sub>2</sub>	mbar	1		0.5		0.2		0.15	
Maximum continuous exhaust pressure N <sub>2</sub>	mbar	2		1.5		1.5		1.5	
Maximum throughput N <sub>2</sub>	sccm	2000		3000		2500		2500	
Maximum heating temperature (MT version)	°C	75		75		75		75	
Maximum Baking temperature	°C	120		120		120		120	
Power supply required for the heater band (MT version)		100 to 120V - 50/60Hz or 200 to 240V - 50/60 Hz							
Vibration level	µm	0.01		0.01		0.01		0.01	
Recommended Alcatel backing pump		ADP/ADS		ADP/ADS		ADP/ADS		ADP/ADS	
Cooling water flow rate	l/min	< 1							
Cooling water temperature	°C	from 15 to 25							
Mounting orientation		Any							
Exhaust flange		DN40 ISO-KF							
N <sub>2</sub> purge flange		DN16 ISO-KF							
Start-up time	min	<3		<5		<6		<10	
Pump weight	kg (lb)	19 (41.8)		34 (75.5)		35.5 (78.3)		46 (102)	
Controller		ACT 600 M		ACT 1300 M		ACT 1300 M		ACT 2300 M	
Controller weight	kg (lb)	8 (18)		8 (18)		8 (18)		8 (18)	
Start-up power	VA	650		650		650		650	
Nominal power	W	300		300		300		350	
Power supply		100-240 V - 50/60 Hz Single phase				200-240 V - 50/60 Hz - Single phase			



# PROVAC

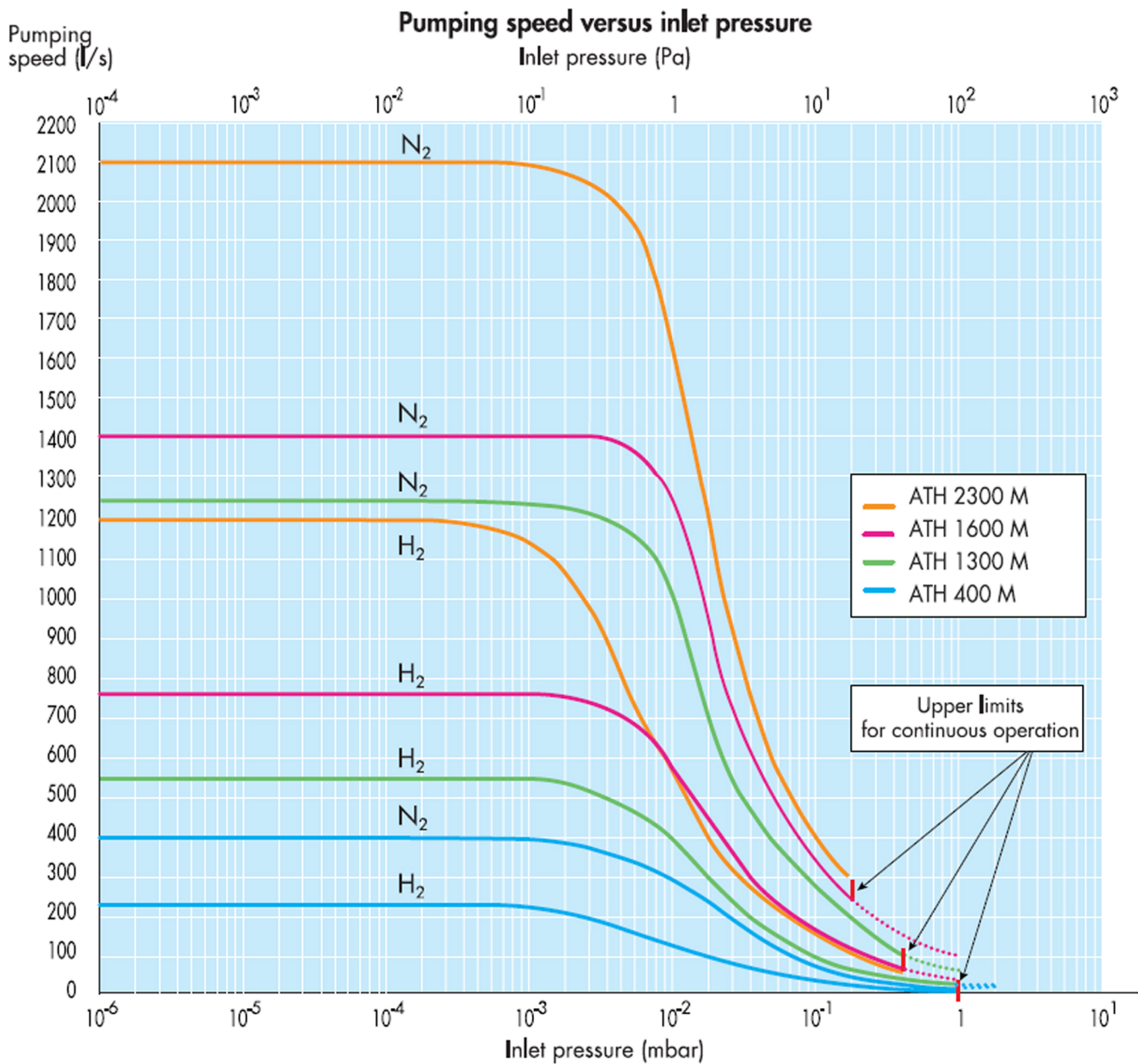
## SALES

PHONE: 831-462-8900

FAX: 831-462-3536

WWW.PROVAC.COM

# Alcatel ATH-400M, ATH-1300M, ATH-1600M, ATH-2300M Pumping Curves





# PROVAC

## SALES

PHONE: 831-462-8900

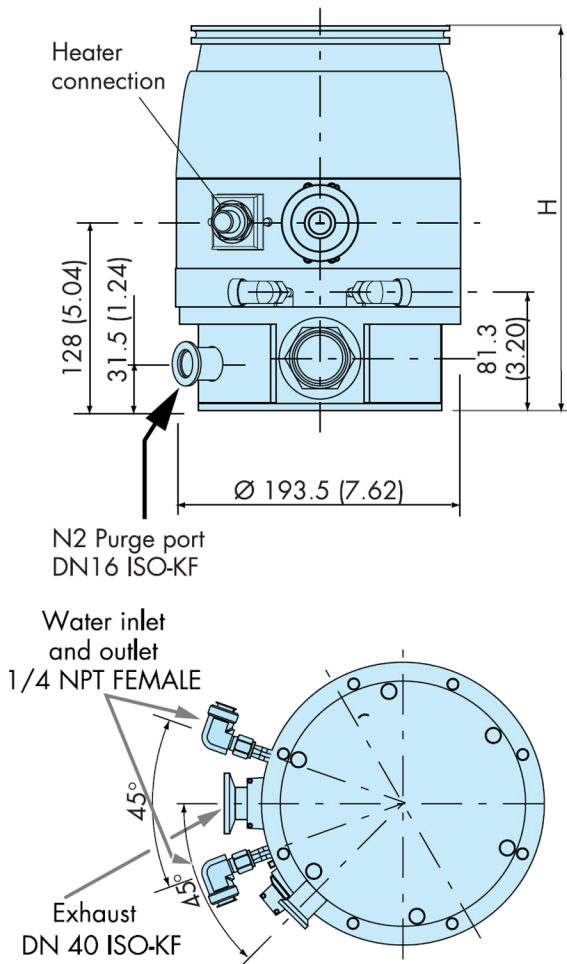
FAX: 831-462-3536

WWW.PROVAC.COM

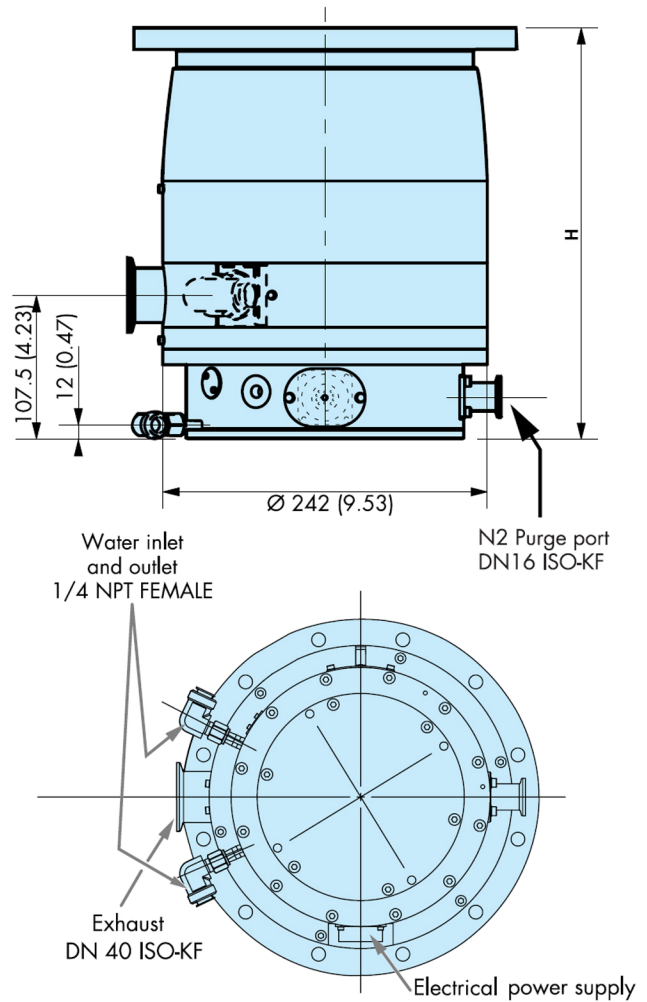
# Alcatel ATH-400M, ATH-1300M, ATH-1600M, ATH-2300M

## Dimensions

### ATH-400M/MT



### ATH-1300M/MT



Inlet flange	H
DN 100 ISO-K	292.5 (11.52)
DN 160 ISO-K	272.8 (10.74)
DN 100 CF-F	298.9 (11.77)
DN 160 CF-F	294.5 (11.59)
ASA - 6	279.8 (11.02)

Inlet flange	H
DN 200 ISO-K	306.9 (12.08)
DN 200 CF-F	316.9 (12.48)
ASA - 6	346.9 (13.66)
DN 250 ISO-K	309.9 (12.20)
DN 200 ISO-F	306.9 (12.08)
DN 160 ISO-K	352.7 (13.89)
DN 160 ISO-F	342.7 (13.49)
DN 160 CF-F	365.1 (14.37)



# PROVAC

## SALES

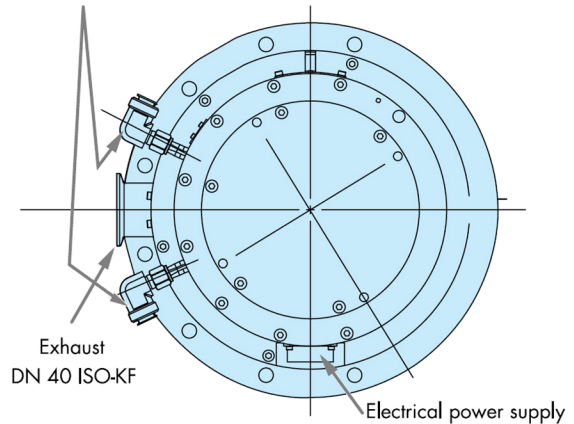
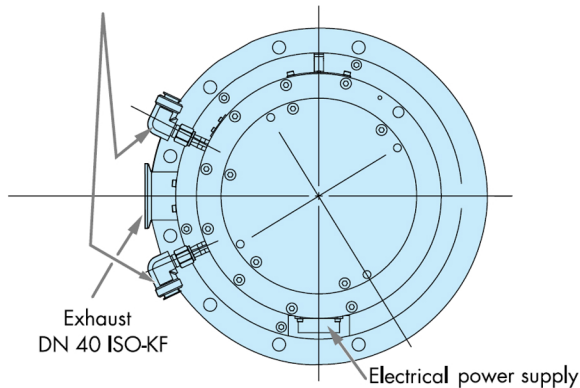
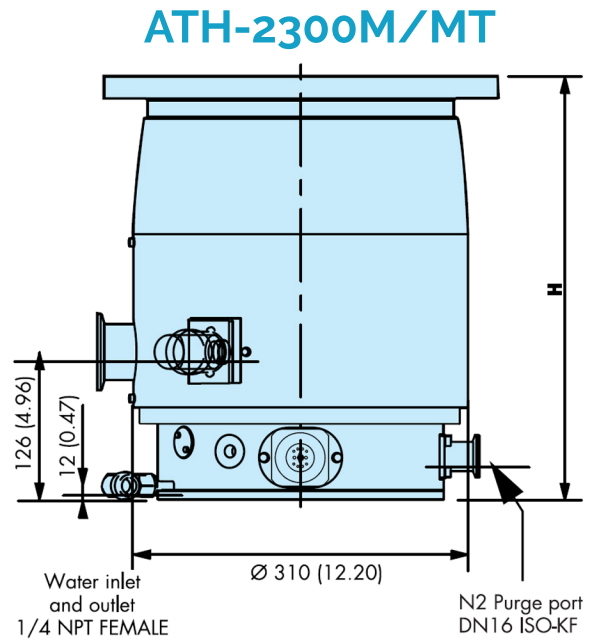
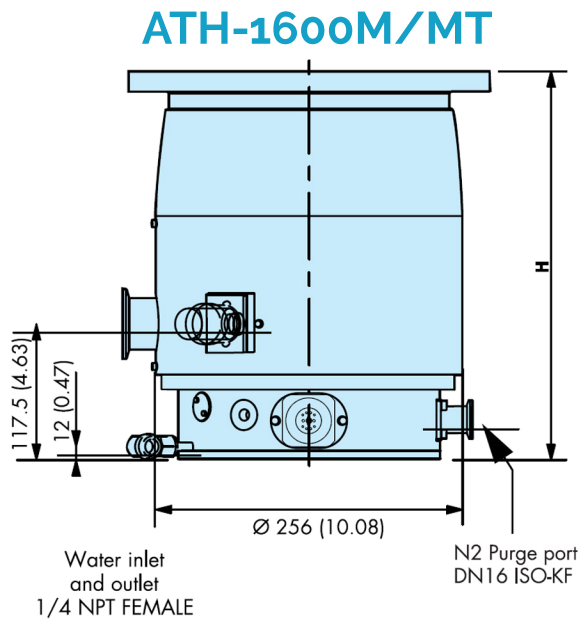
PHONE: 831-462-8900

FAX: 831-462-3536

WWW.PROVAC.COM

# Alcatel ATH-400M, ATH-1300M, ATH-1600M, ATH-2300M

## Dimensions



Inlet flange	H
DN 200 ISO-K	316.9 (12.48)
DN 200 CF-F	343.4 (13.52)
DN 200 ISO-F	316.9 (12.48)
ASA - 6	356.9 (14.05)
DN 250 ISO-K	316.9 (12.48)
DN 250 ISO-F	316.9 (12.48)
DN 250 CF-F	328.9 (12.95)

Inlet flange	H
DN 250 ISO-F	358.5 (14.11)
DN 250 ISO-K	358.5 (14.11)
DN 250 CF-F	402.5 (15.85)
DN 200 ISO-F	402.5 (15.85)
DN 200 ISO-K	402.5 (15.85)



# PROVAC

## SALES

PHONE: 831-462-8900

FAX: 831-462-3536

WWW.PROVAC.COM

# Alcatel ATH-400M, ATH-1300M, ATH-1600M, ATH-2300M

## Features & Benefits

- hybrid magnetically levitated turbo pumps
- magnetic bearing is frictionless & doesn't require grease
- maintenance free on clean processes
- best performance to size ratio
- low cost of ownership
- high throughput at high inlet pressure

## Applications

- glass coating • micro machining systems • research & development
- electron microscopy • space simulation chambers • particle accelerators • semiconductor processes (etch, CVD, ion implant)
- coating & thin films deposition • ion milling • ion beam rectification

