



# Pfeiffer ATH-2800M

## Technical Specifications

| ATH 2800M, DN 250 ISO-F, with integrated drive electronics, water-cooled, non-heated |   |
|--|---|
| Bearing  | Magnet  |
| Compression ratio for Ar   | $> 1 \cdot 10^8$  |
| Compression ratio for H <sub>2</sub>   | $> 2 \cdot 10^3$  |
| Compression ratio for He   | $> 3 \cdot 10^4$  |
| Compression ratio for N <sub>2</sub>   | $> 1 \cdot 10^8$  |
| Connection flange (in)   | DN 250 ISO-F  |
| Connection flange (out)  | DN 40 ISO-KF  |
| Cooling method   | Water   |
| Cooling water flow   | 60 l/h  |
| Cooling water flow, max.   | 60 l/h  |
| Cooling water flow, min.   | 60 l/h  |
| Cooling water temperature  | 15-25 °C   59-77 °F   288-298 K   |
| Electronic drive unit  | External drive electronics  |
| Final pressure   | $< 6 \cdot 10^{-9}$ hPa   $< 4.5 \cdot 10^{-9}$ Torr   $< 6 \cdot 10^{-9}$ mbar |
| Fore-vacuum max. for N <sub>2</sub>  | 2.1 hPa   1.57 Torr   2.1 mbar  |
| Gas throughput for Ar  | $> 37.2$ hPa·l/s  |
| Gas throughput for H <sub>2</sub>  | $> 84.5$ hPa·l/s  |
| Gas throughput for He  | $> 84.5$ hPa·l/s  |
| Gas throughput for N <sub>2</sub>  | 84.5 hPa·l/s  |
| I/O interfaces   | Via External drive electronics  |
| Mounting orientation   | Arbitrary   |
| Power consumption at final pressure  | 400 W   |
| Power consumption max.   | 1000 W  |
| Pumping speed for Ar   | 2100 l/s  |
| Pumping speed for H <sub>2</sub>   | 1550 l/s  |
| Pumping speed for He   | 2400 l/s  |
| Pumping speed for N <sub>2</sub>   | 2200 l/s  |
| Rotation speed $\pm 2$ %   | 25,000 rpm   25,000 min <sup>-1</sup>   |
| Run-up time  | $< 10$ min  |
| Separate electronic drive unit   | YES   |
| Sound pressure level   | $\leq 45$ dB(A)   |
| Weight   | 85 kg   187.39 lb   |



# PROVAC

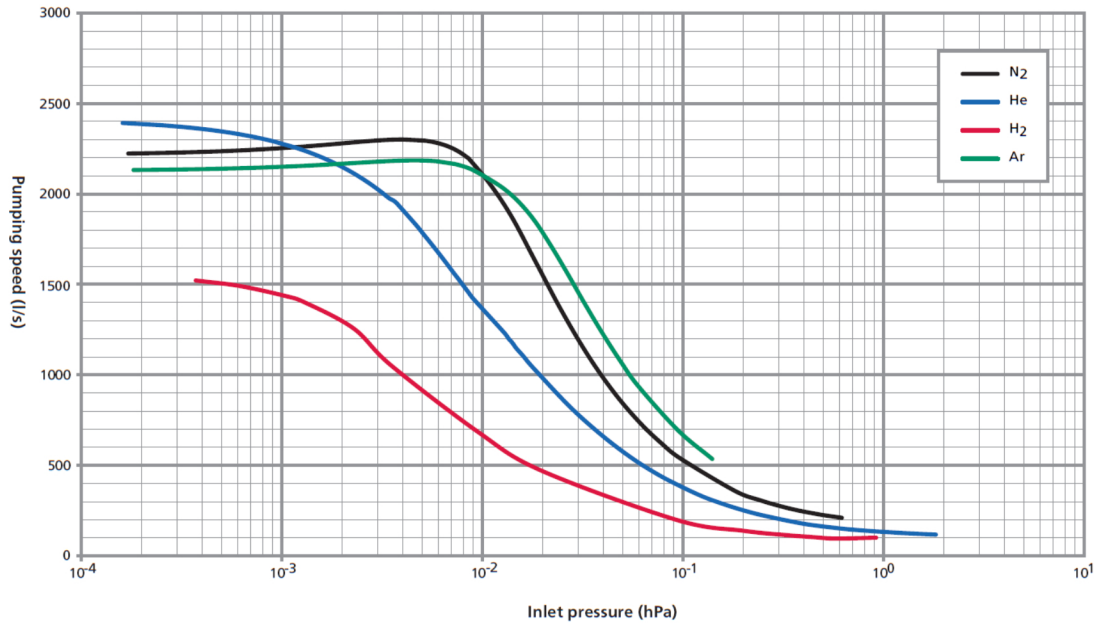
## SALES

PHONE: 831-462-8900

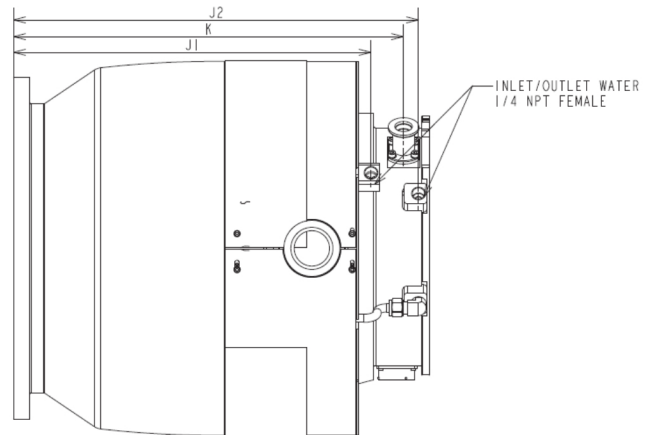
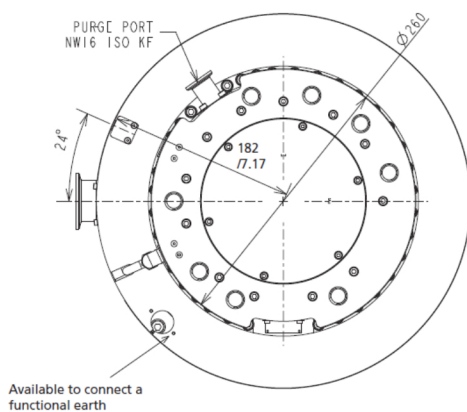
FAX: 831-462-3536

WWW.PROVAC.COM

# Pfeiffer ATH-2800M Pumping Curves



## Dimensions



UNHEATED VERSION  
(M model)

Dimensions in mm / inch

| Inlet flange | E              | H                | I                | J1               | J2               | K                | L                | M                | D                | d1               | d2             | N  | A° | CG              |
|--------------|----------------|------------------|------------------|------------------|------------------|------------------|------------------|------------------|------------------|------------------|----------------|----|----|-----------------|
| DN 250 ISO-F | 16,00<br>/0,63 | 292,90<br>/11,54 | 376,30<br>/14,83 | 351,00<br>/13,83 | 398,00<br>/15,68 | 382,90<br>/15,09 | 408,60<br>/16,10 | 389,90<br>/15,36 | 335,00<br>/13,20 | 310,00<br>/12,21 | 11,00<br>/0,43 | 12 | 15 | 206,30<br>/8,13 |
| VG 250       | 16,00<br>/0,63 | 292,90<br>/11,54 | 376,30<br>/14,83 | 351,00<br>/13,83 | 398,00<br>/15,68 | 382,90<br>/15,09 | 408,60<br>/16,10 | 389,90<br>/15,36 | 350,00<br>/13,79 | 320,00<br>/12,61 | 15,00<br>/0,59 | 12 | 15 | 204,00<br>/8,04 |