



Pfeiffer ASM-380

Technical Specifications

	ASM 380, universal voltage
Backing pump	with oil free backing pump
Backing pump capacity	35 m ³ /h
Detectable gases	⁴ He, ³ He, H ₂
Dimensions (L x W x H)	1,065 x 455 x 1,025 mm 41.93 x 17.91 x 40.35 inch
Flange (in)	DN 40 ISO-KF
I/O interfaces	1 Digital input (Start cycle); 2 Digital outputs (Test mode ok, Helium signal above reject set point); 3 Analog outputs (Configurable: Helium signal log, Mantissa, Exponent, Inlet pressure)
Interface	RS-232
Max. inlet test pressure	15 hPa 11.25 Torr 15 mbar
Minimum detectable leak rate for helium (sniffing leak detection)	1 · 10 ⁻⁸ Pa m ³ /s 7.5 · 10 ⁻⁸ Torr l/s 1 · 10 ⁻⁷ mbar l/s
Minimum detectable leak rate for helium (vacuum leak detection)	5 · 10 ⁻¹³ Pa m ³ /s 3.75 · 10 ⁻¹² Torr l/s 5 · 10 ⁻¹² mbar l/s
Noise level	53 dB (A)
Operating temperature	10-35 °C 50-95 °F 283-308 K
Power consumption	700 W
Pumping speed for He	7 l/s
Start-up time (20°C) with calibration	< 5.5 min
Start-up time (20°C) without calibration	< 4.5 min
Supply	90-240 V, 50/60 Hz
Test method	Vacuum and sniffing leak detection
Type	High Performance - Mobile
User interface	Graphic color touch screen (detachable)
Weight	110 kg 242.51 lb



PROVAC

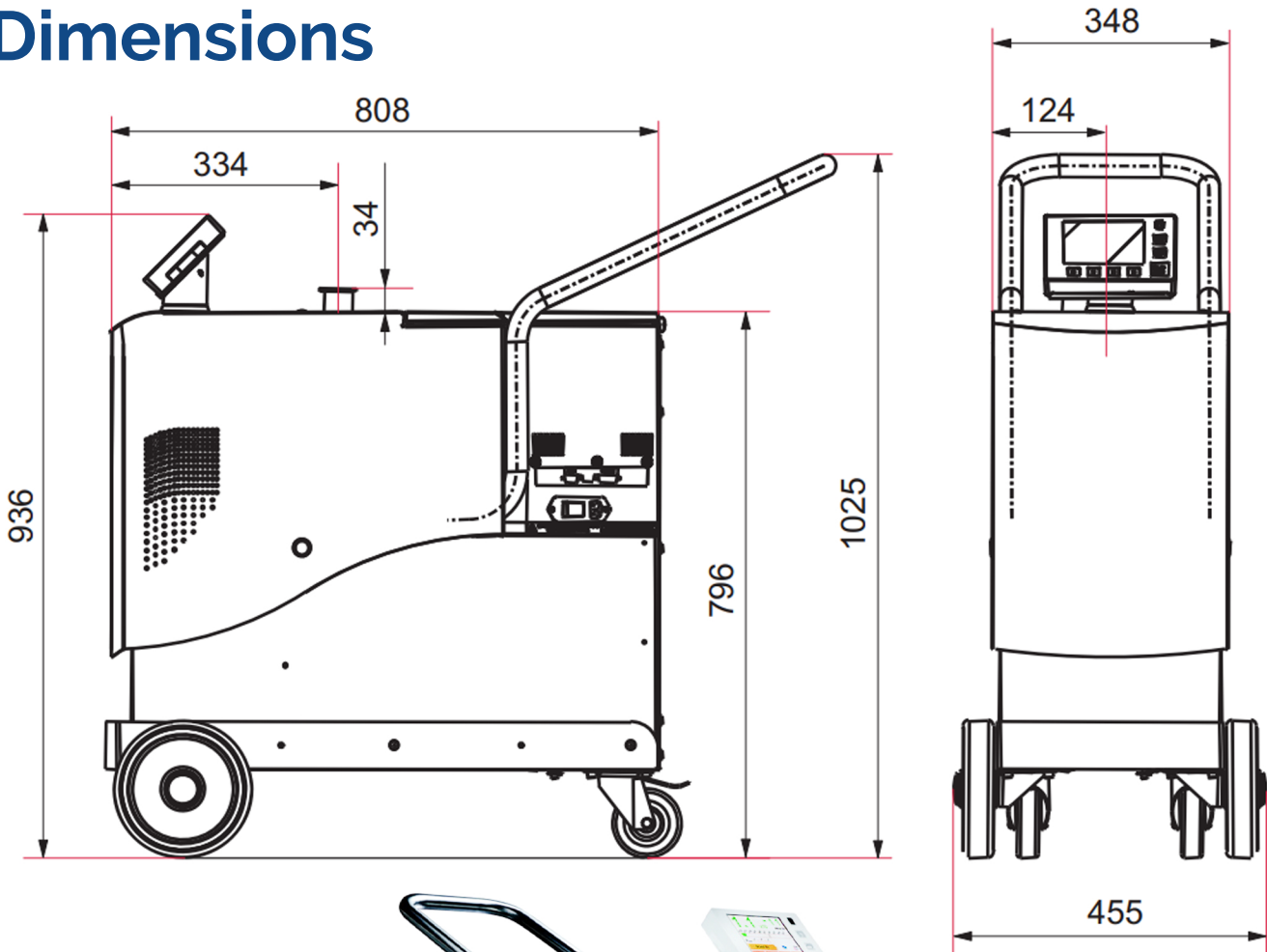
SALES

PHONE: 831-462-8900

FAX: 831-462-3536

WWW.PROVAC.COM

Pfeiffer ASM-380 Dimensions





PROVAC

S A L E S

PHONE: 831-462-8900

FAX: 831-462-3536

WWW.PROVAC.COM

Pfeiffer ASM-380

Features & Benefits

- perfect combination of high dry pumping performance, sensitivity, & mobility in the smallest footprint
- high backing pump capacity
- high helium pumping speed
- fast time to test
- narrow design & highly maneuverable
- customizable operator interface
- integrated SD card for data processing
- clean room compatible

Applications

- semiconductor industry • large area coating • solar industry • accelerators
- vacuum components (feedthroughs, valves, bellows, expansion joints)
- laser technology • ultra-pure media supply • electronics • aeronautics
- medical technology