



Pfeiffer ASI-35

Technical Specifications

ASI 35	
Test methods	Vacuum and sniffing leak detection
Minimum detectable leak rate for He (vacuum leak detection)	3.5 · 10 ⁻⁸ mbar l/s (gross leak test mode) 1 · 10 ⁻¹⁰ mbar l/s (normal leak test mode) 5 · 10 ⁻¹² mbar l/s (high sensitivity test mode)
Minimum detectable leak rate for He (sniffing leak detection)	1.5 · 10 ⁻⁸ mbar l/s
Tracer gases	⁴ He, ³ He, H ₂
Maximum inlet test pressure	18 mbar (gross leak test mode) 1 mbar (normal leak test mode) 0.2 mbar (high sensitivity test mode)
Pumping speed for He	6 l/s (high sensitivity test mode) 1.8 l/s (normal test mode)
Start-up time	< 3 min
Vacuum connections	DN 25 ISO-KF; DN 16 ISO-KF
Interface	RS-232 Ethernet Profibus USB
I/O interface	6 digital inputs (allocated functions configurable) 3 analog outputs (configurable: helium signal log, mantissa, exponent, inlet pressure) 5 relay outputs (allocated functions configurable) 4 transistor (open collector) outputs (allocated functions configurable)
Dimensions: L × W × H	
Vacuum module:	279 × 264 × 197 mm
Electronic module:	216 × 317 × 111 mm
Control panel:	241 × 54 × 133 mm
Weight	
Vacuum module:	15 kg
Electronic module:	5 kg
Control panel:	1.3 kg
Universal Voltage	90–240 V AC; 50/60 Hz
Maximum power consumption	300 W
Operating temperature	10–45 °C



PROVAC

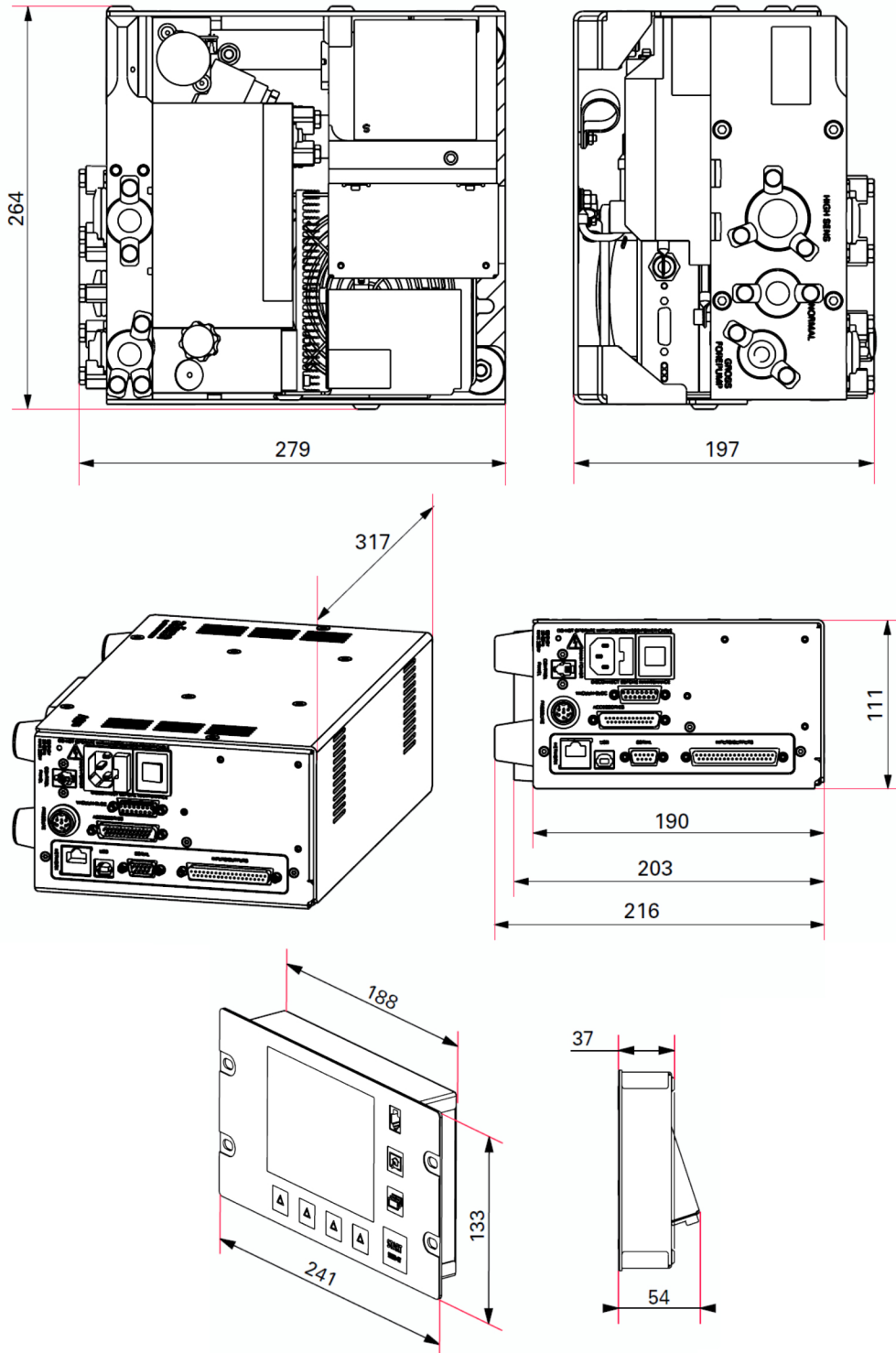
SALES

PHONE: 831-462-8900

FAX: 831-462-3536

WWW.PROVAC.COM

Pfeiffer ASI-35 Dimensions





PROVAC

SALES

PHONE: 831-462-8900

FAX: 831-462-3536

WWW.PROVAC.COM

Pfeiffer ASI-35 Features & Benefits

- high performance, reliability, repeatability
- maximum performance for tracer gases (helium & hydrogen) in integral & localizing test methods
- optimized for minimum space requirements
- can be installed in any orientation
- long lasting, trouble-free operation
- electronic module is suitable for universal voltage
- both vacuum & sniffing capabilities
- short cycles times due to highest pumping speed
- wide temperature range

Applications

- automotive • airbag inflators & ignitors • cooling radiators • fuel rails • refrigeration & air conditioning • evaporators • compressors
- packaging industry • mechanical parts

