



# Airtech AD-500, 1200, 2600

## Technical Specifications

Model			AD500	AD1200	AD2600
Nominal Pumping Speed		L - S <sup>-1</sup>	70	300	600
		M <sup>3</sup> · h <sup>-1</sup>	540	1080	2160
Ultimate Pressure		Pa	3 x 10 <sup>-2</sup>	3 x 10 <sup>-2</sup>	3 x 10 <sup>-2</sup>
Pressure Differential of relief valve		Pa	4.8 x 10 <sup>3</sup>	5.8 x 10 <sup>3</sup>	3.2 x 10 <sup>3</sup>
Permissible Ambient Temperatures		°C	5-40	5-40	5-40
Main voltage at the motor, 60Hz		V	460	460	460
Motor Power, 60 Hz		kW	2.6	4.4	7.5
Rotation Speed, 50 Hz		RPM	3550	3550	3550
Protection		IP	54	54	54
Oil Capacity (Gear Box)		L	2.8	2.8	7.5
Flange Internal Diameter	inlet	Inches	3	4	6
	outlet				
Cooling Water Supply (when required)		L - h <sup>1</sup>	/	/	150
Weight with motor		Kg	220	310	790
Shipping weight		Kq	270	380	850
Noise level (under ultimate pressure)		dB(A)	72	74	76
Recommended backing pump (range based on typical operation)			L250	L250	L400
				L630	L630



# PROVAC

## SALES

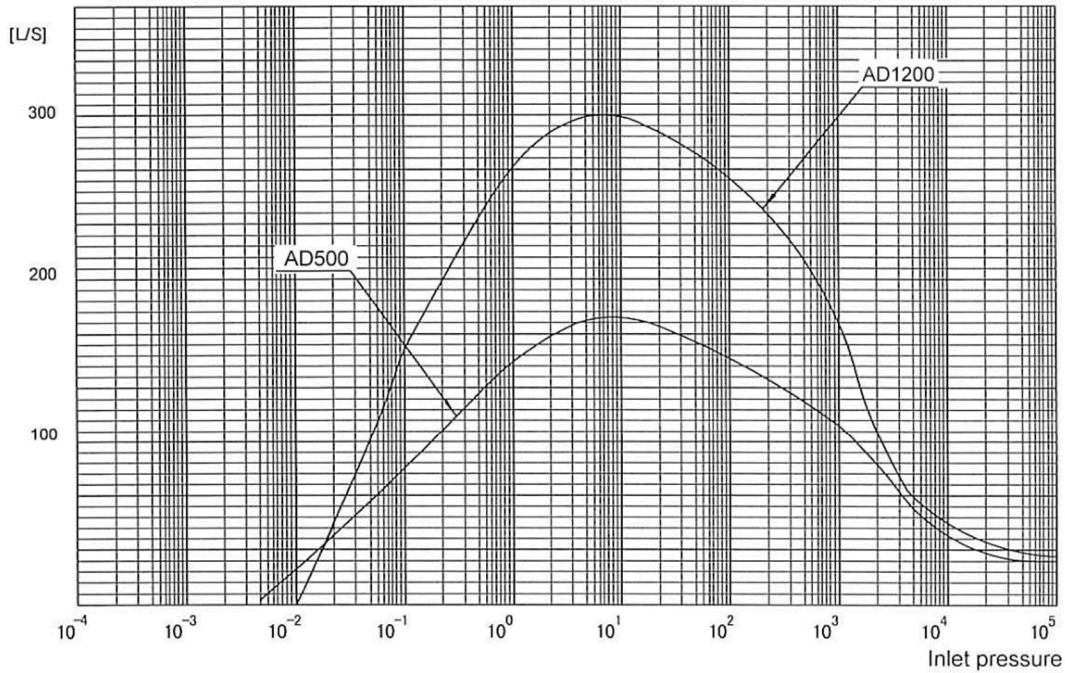
PHONE: 831-462-8900

FAX: 831-462-3536

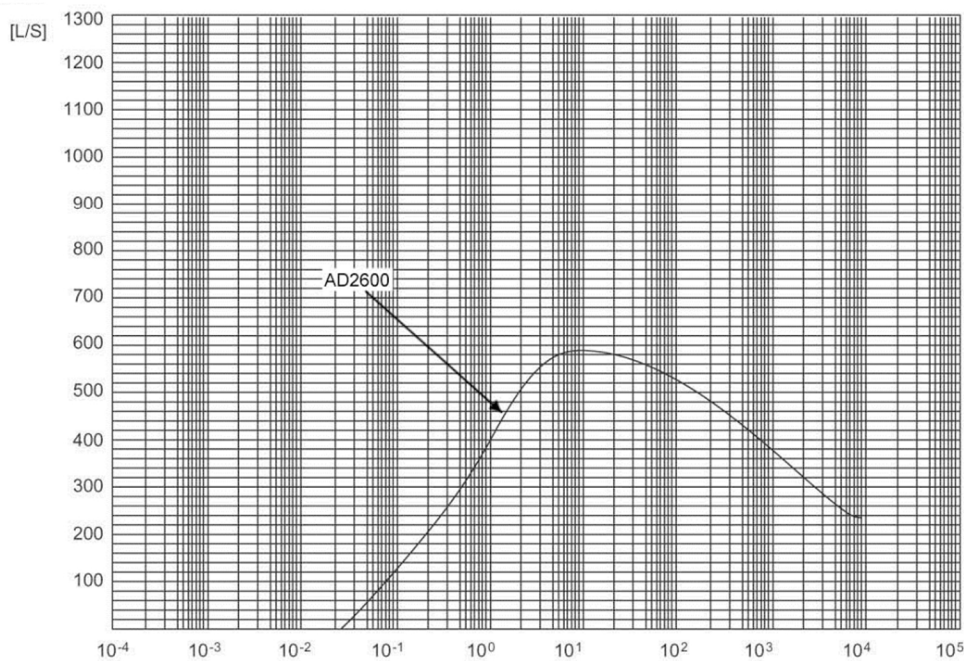
WWW.PROVAC.COM

# Airtech AD-500, 1200, 2600 Pumping Curves

## AD-500, AD-1200



## AD-2600

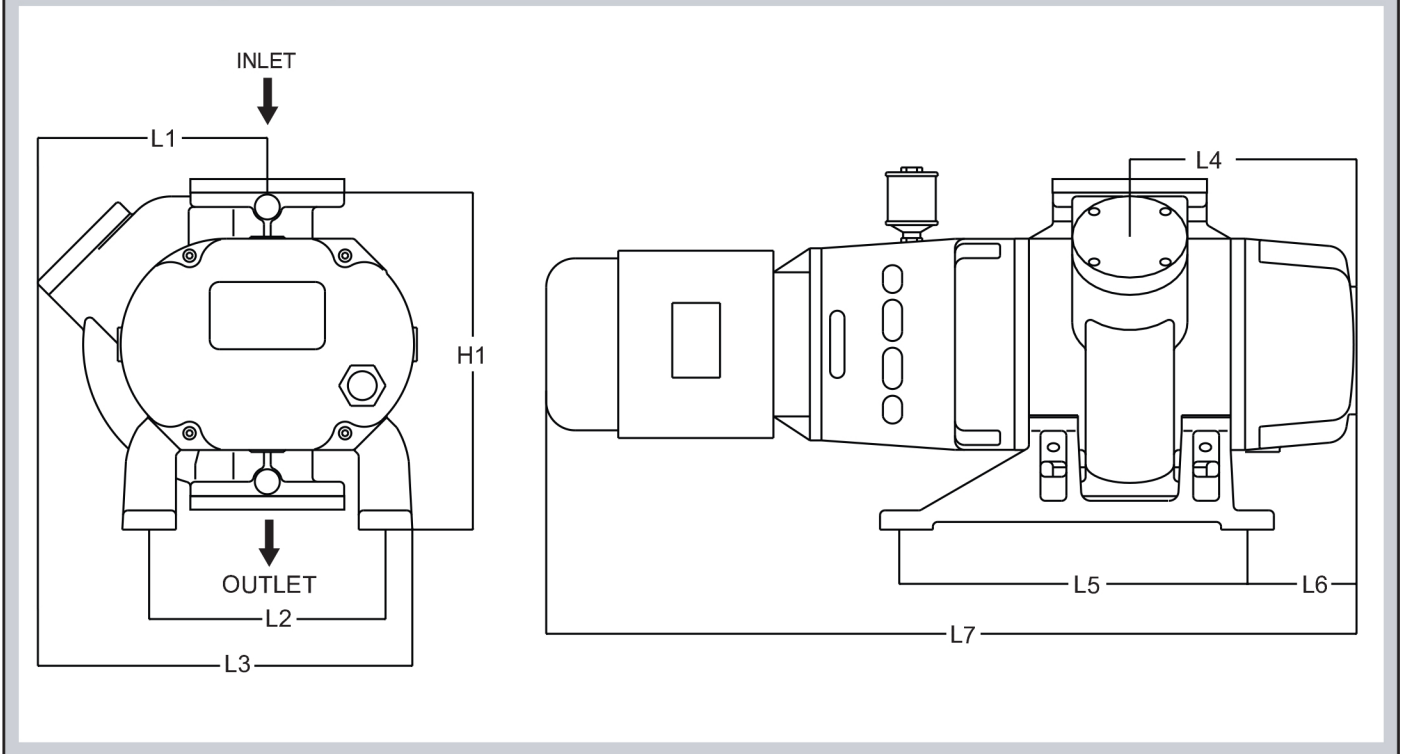




## Airtech AD-500, 1200, 2600

### Dimensions

Dimensions: (inches)



Model	L1	L2	L3	L4	L5	L6	L7	H1	INLET (NPT)	OUTLET (NPT)
AD500	9.37	9.68	15.55	9.29	14.56	4.17	33.26	13.77	3"	3"
AD1200	11.88	10.82	19.48	12.24	20.07	5.47	42.51	16.49	4"	4"
AD2600	16.14	15.27	25.27	14.44	29.13	5.90	48.66	20.86	6"	4"



# PROVAC

## SALES

PHONE: 831-462-8900

FAX: 831-462-3536

WWW.PROVAC.COM

## Airtech AD-500, 1200, 2600

### Features & Benefits

- positive displacement roots-type blower
- to be used with mechanical backing pump
- simple installation - can be mounted directly on backing pump
- simple weighted bypass design allows startup from atmosphere
- pumpdown times cut by up to 50%
- reduced capital & operating costs
- quiet, vibration free operation
- vertical flow self draining

### Applications

- food industry

