



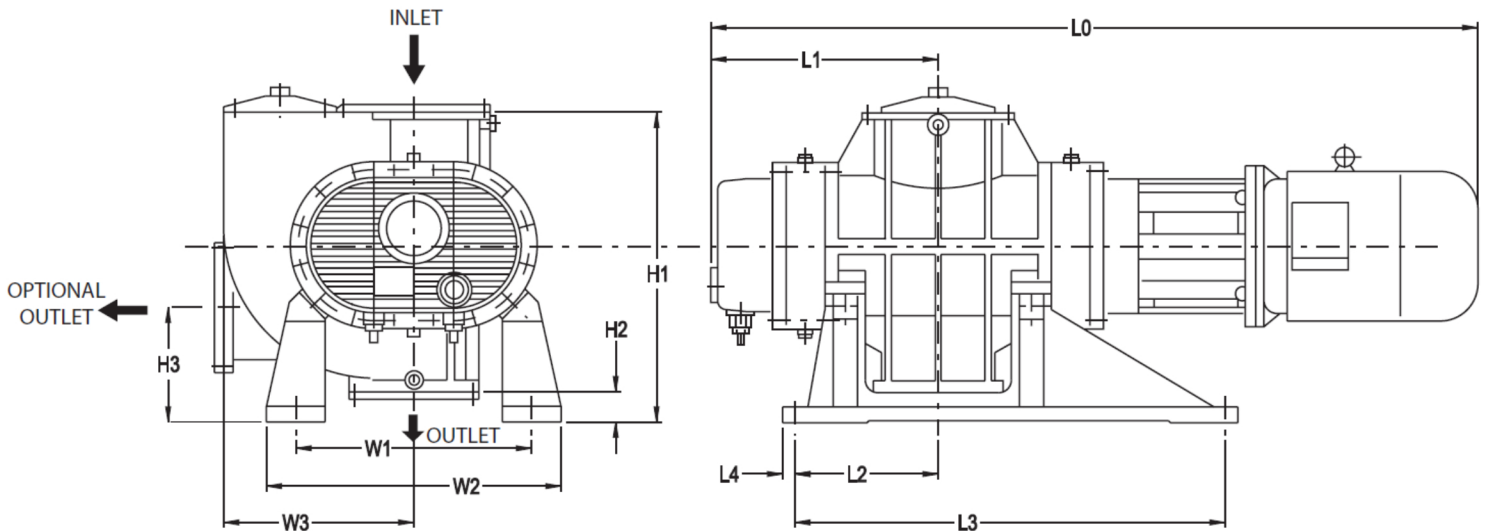
Airtech AC Series

Technical Specifications

Model	AC 500	AC 1200	AC 2600
Displacement (CFM)	380	765	1525
Motor (HP/kW)	3/2.6	5.5/4.0	10/7.5
Speed (at 60 Hz)	3600	3600	3600
Backing Pump	L250	L250/400/630	L400/L630
Maximum Ambient Temperature (°F)	40°-104°	40°-104°	40°-104°
Oil Capacity	2.8	2.8	7.5
Cooling Water*	-	-	1.2 GPM

*When required by application

Dimensions



Model	L0	L1	L2	L3	L4	H1	H2	H3	W1	W2	W3	Inlet (NPT)	Outlet (NPT)
AC 500	36.6	10.2	7.68	24.3	0.79	19.2	3.54	7.68	12.6	16.1	9.64	3"	3"
AC 1200	43.3	10.8	10.8	29.1	0.79	20.7	3.54	8.64	12.6	16.1	11.2	4"	4"
AC 2600	53.1	14.8	10.9	29.9	1.08	26.5	2.75	9.25	18.9	23.5	14.76	6"	4"



PROVAC

SALES

PHONE: 831-462-8900

FAX: 831-462-3536

WWW.PROVAC.COM

Airtech AC Series Features & Benefits

- pumpdown times cut by up to 50%
- reduced capital & operating costs
- no pressure sensors, special drives, or leaking seals
- can operate continuously at all pressures when used with backing pump
- vertical flow self draining in all models
- weighted bypass ensures simple & trouble-free cut-in
- available for applications where oxygen/reactive gases are present
- simple installation, can be mounted directly on any backing pump
- integral oil cooler on largest models for tough applications

Applications

- food industry

