



# PROVAC

## SALES

PHONE: 831-462-8900

FAX: 831-462-3536

WWW.PROVAC.COM

## Pfeiffer ACP-40CV Technical Specifications

ACP 40CV, manual gas ballast	
Ambient temperature	12-40 °C   53.6-104 °F   285-313 K
Connection flange (in)	DN 40 ISO-KF
Connection flange (out)	DN 25 ISO-KF
Continuous inlet pressure, max.	1,013 hPa   759.75 Torr   1,013 mbar
Cooling	Air
Corrosive gas version	Yes (light load)
Dimensions (L x W x H)	647 x 308 x 322 mm   25.47 x 12.13 x 12.68 inch
Exhaust pressure, max.	1,200 hPa   900 Torr   1,200 mbar
Final pressure with gas ballast	$3 \cdot 10^{-1}$ hPa   $2.25 \cdot 10^{-1}$ Torr   $3 \cdot 10^{-1}$ mbar
Final pressure without gas ballast	$4 \cdot 10^{-2}$ hPa   $3 \cdot 10^{-2}$ Torr   $4 \cdot 10^{-2}$ mbar
Gas ballast	Yes
Gas ballast flow	2.4 m <sup>3</sup> /h   1.41 cfm   40 l/min
Helium leakage rate, max.	$5 \cdot 10^{-7}$ hPa·l/s
Mains cable	Yes, EU mains cable
Mains connection	110 – 230 V AC (±10%) 50/60 Hz
Mains connection: frequency (range)	50/60 Hz
Max. pumping capacity of pure water vapor at 20°C	700 g/h
N <sub>2</sub> sealing gas flow	40 slpm (0 °C)
Power consumption at final pressure	700 W
Processes	Light Duty Applications
Pumping speed	37 m <sup>3</sup> /h   21.78 cfm   616.67 l/min
Sound pressure level	65 dB(A)
Version	For condensable vapors
Weight	32 kg   70.55 lb



# PROVAC

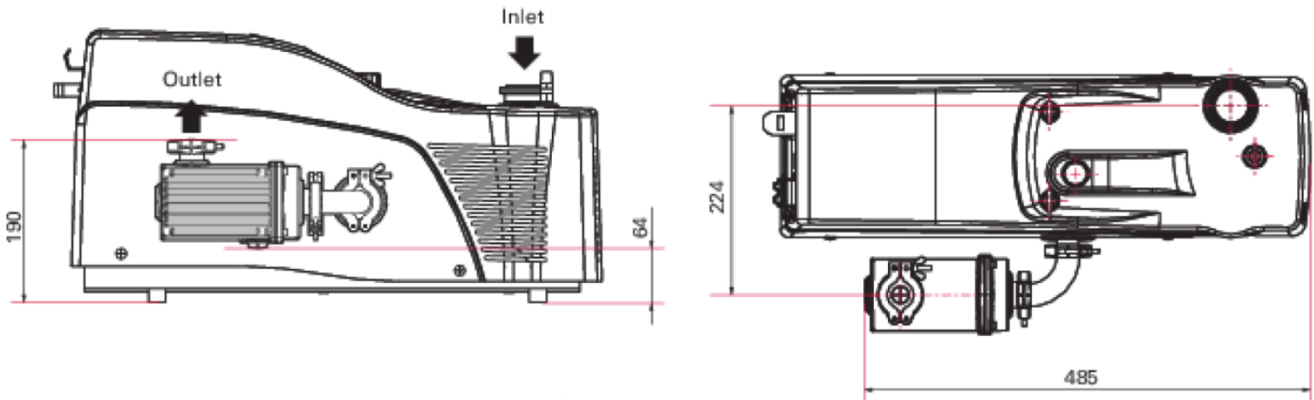
## SALES

PHONE: 831-462-8900

FAX: 831-462-3536

WWW.PROVAC.COM

## Pfeiffer ACP-40CV Dimensions



## Features & Benefits

- CV series: specifically designed to prevent vapor condensation inside the pumping module; extend pure water vapor pumping capacity
- high gas ballast flow, external drainable silencer, gas purge
- dry, multi-stage Roots technology
- no contamination, no hydrocarbon vapors backstreaming
- no wearing parts in the pumped gases path
- constant performances, high reliability
- low maintenance costs

## Applications

- electron microscopes • mass spectrometers • surface analyzers
- leak detectors • particle accelerators • laboratories • lamp manufacturing • plasma cleaning • vacuum coating