



## Pfeiffer ACP-28G

### Technical Specifications

ACP 28, G version, three-phase, purge port	
Ambient temperature	12-40 °C   53.6-104 °F   285-313 K
Connection flange (in)	DN 25 ISO-KF
Connection flange (out)	DN 25 ISO-KF
Continuous inlet pressure, max.	1,013 hPa   759.75 Torr   1,013 mbar
Cooling	Air
Corrosive gas version	Yes (light duty)
Dimensions (L x W x H)	612 x 187 x 314 mm   24.09 x 7.36 x 12.36 inch
Emission sound pressure level without gas ballast or purge	65 dB(A)
Exhaust pressure, max.	1,200 hPa   900 Torr   1,200 mbar
Final pressure without gas ballast	$4 \cdot 10^{-2}$ hPa   $3 \cdot 10^{-2}$ Torr   $4 \cdot 10^{-2}$ mbar
Helium leak rate, max.	$5 \cdot 10^{-7}$ Pa m <sup>3</sup> /s   $3.75 \cdot 10^{-6}$ Torr l/s   $5 \cdot 10^{-6}$ mbar l/s
Mains connection	200 – 240 ( $\pm 10\%$ ) V AC 50/60 Hz
Mains requirement: frequency (range)	50/60 Hz
N <sub>2</sub> sealing gas flow	40 slpm (0 °C)
Power consumption at ultimate pressure	700 W
Processes	Light Duty Applications
Pumping speed	27 m <sup>3</sup> /h   15.89 cfm   450 l/min
Sound pressure level	65 dB(A)
Version	Corrosive gas version
Weight	30 kg   66.14 lb





# PROVAC

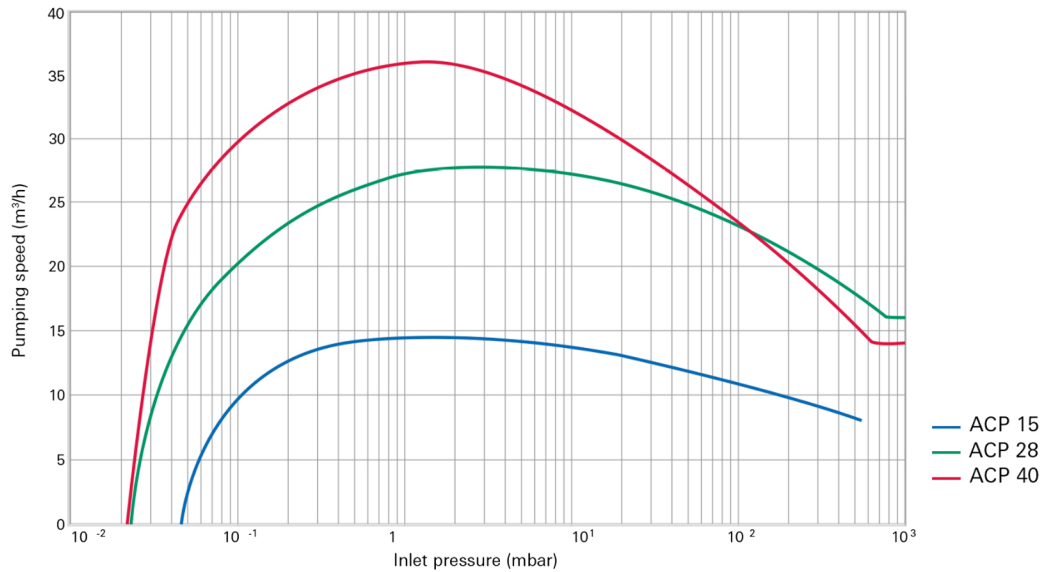
## SALES

PHONE: 831-462-8900

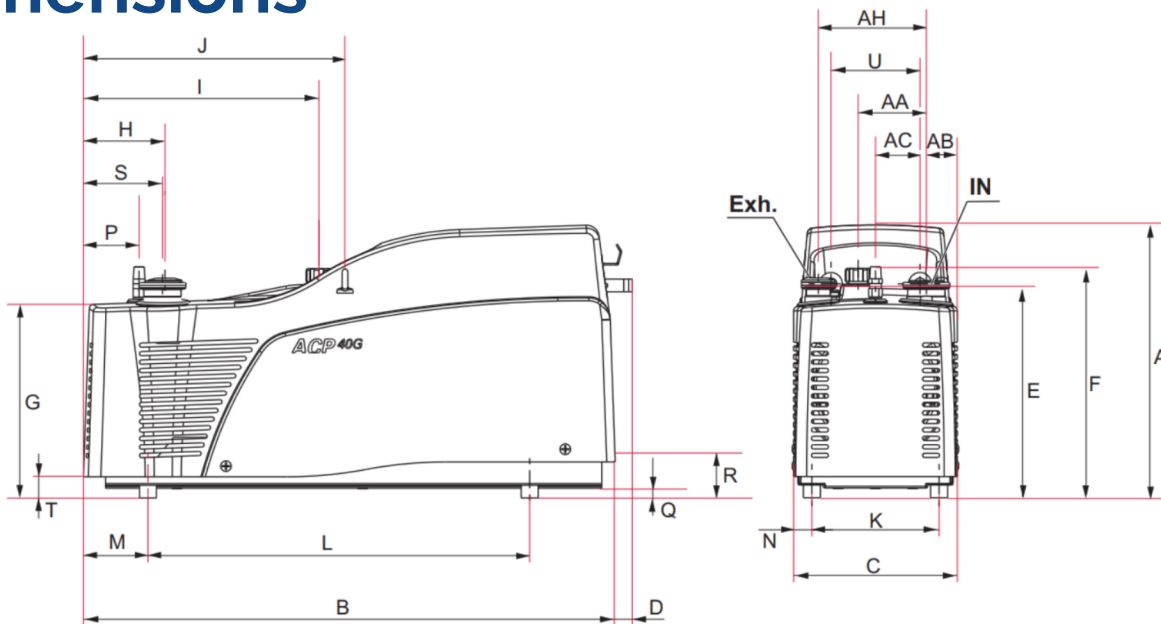
FAX: 831-462-3536

WWW.PROVAC.COM

# Pfeiffer ACP-28G Pumping Curves



## Dimensions



ACP 28-40	A	B	D	C	E	F <sup>(1)</sup>	G	K	J	I	H	L	M	N	P <sup>(2)</sup>	Q
Single-Phase	322	627	20	193	250	272	228	150	308	278	96	450	76	22	66	12
Three-Phase	314	612	31	187	250	272	235	150	302	272	90	450	70	19	60	12

<sup>(1)</sup> F = 306.7 for LG version

<sup>(2)</sup> P = 1/4 BSPP purge connection for G version

ACP 28-40	R	S	T	U	AA	AB	AC	AH
Single-Phase	43	93	25	105	80	33	60	127
Three-Phase	45	88	28	105	80	34	60	127



# PROVAC

## SALES

PHONE: 831-462-8900

FAX: 831-462-3536

WWW.PROVAC.COM

---

## Pfeiffer ACP-28G

### Features & Benefits

- specifically designed for pumping traces of corrosive gases
- non-contact, compact design
- no contamination
- optimized for operation with zero lubricants or seals
- no hydrocarbon vapor backstreaming
- constant clearances & rotational speed; high reliability
- low maintenance costs
- single-phase built-in frequency converter
- low noise & vibration levels
- air cooled

### Applications

- process monitoring • focused ion beams • load locks • transfer chambers • analytical instruments • surface analysis • leak detectors • research & development • industry