

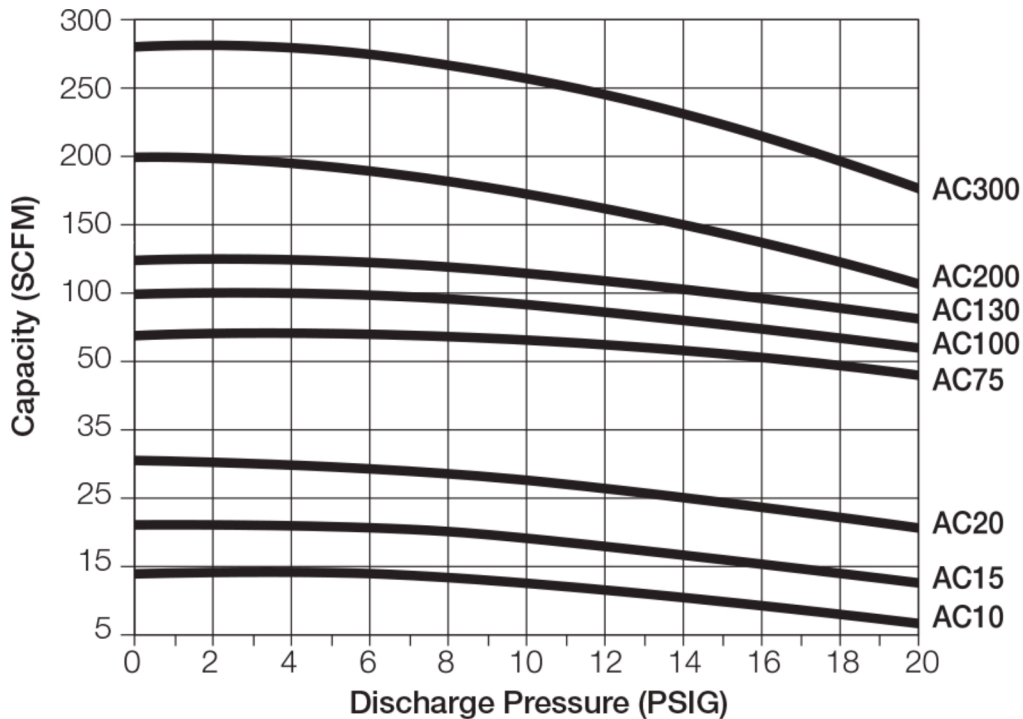


Atlantic Fluidics AC 10 - AC 300 Technical Specifications

| Model | HP | RPM | 5 PSIG | 10 PSIG | 15 PSIG | 20 PSIG |
|-------|-----|------|--------|---------|---------|---------|
| AC10 | 2 | 3500 | 15 | 14 | 12 | 7 |
| AC15 | 3 | 3500 | 22 | 20 | 17 | 13 |
| AC20 | 5 | 3500 | 30 | 27 | 23 | 19 |
| AC75 | 7.5 | 1750 | 70 | 65 | 55 | 62 |
| AC100 | 10 | 1750 | 100 | 95 | 80 | 62 |
| AC130 | 15 | 1750 | 130 | 120 | 105 | 80 |
| AC200 | 20 | 1150 | 225 | 210 | 180 | 145 |
| AC300 | 25 | 1150 | 275 | 255 | 225 | 175 |

Capacity in SCFM

Pumping Curves





PROVAC

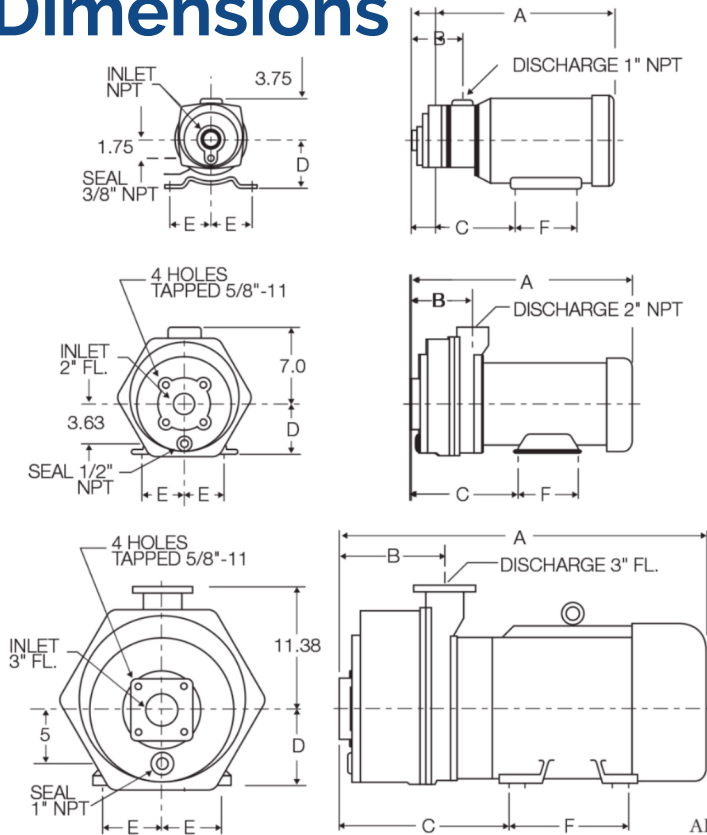
SALES

PHONE: 831-462-8900

FAX: 831-462-3536

WWW.PROVAC.COM

Atlantic Fluidics AC 10 - AC 300 Dimensions



| 3450 RPM | | | | | | | | |
|----------|--------|----|------|-----|-----|-----|------|-----|
| MODEL | FRAME | HP | A | B | C | D | E | F |
| AC10 | 145TCZ | 2 | 16.6 | 3.6 | 8.0 | 3.5 | 2.75 | 5.0 |
| AC15 | 182CZ | 3 | 17.6 | 3.8 | 8.8 | 4.5 | 3.75 | 5.5 |
| AC20 | 184CZ | 5 | 19.8 | 4.6 | 9.6 | 4.5 | 3.75 | 5.5 |

| 1725 RPM | | | | | | | | |
|----------|--------|-----|------|-----|------|------|------|------|
| MODEL | FRAME | HP | A | B | C | D | E | F |
| AC75 | 213TCZ | 7.5 | 21.9 | 5.8 | 10.8 | 5.25 | 4.25 | 7.0 |
| AC100 | 215TCZ | 10 | 24.3 | 7.1 | 12.1 | 5.25 | 4.25 | 7.5 |
| AC130 | 254TCZ | 15 | 26.5 | 8.1 | 13.4 | 6.25 | 5.00 | 8.25 |

| 1160 RPM | | | | | | | | |
|----------|--------|----|------|-----|------|-----|------|------|
| MODEL | FRAME | HP | A | B | C | D | E | F |
| AC200 | 284TYZ | 20 | 32.4 | 8.3 | 14.2 | 7.0 | 5.50 | 11.0 |
| AC300 | 324TCZ | 25 | 35.8 | 9.7 | 16.1 | 8.0 | 6.25 | 12.0 |

All dimensions are in inches. Dimensions are based on 3-phase TEFC BALDOR motors.

Features & Benefits

- cost-effective alternative to oil sealed & dry screw compressors
- available in complete package designs (compressor, gas/liquid separator, silencer, control panel, valves, piping & base plate)
- cool gas discharge; seal water absorbs the heat of compression
- environmentally friendly, low maintenance
- handles corrosive gases

Applications

- extrusion • vacuum packaging • vapor recovery • central vacuum
- freeze drying • waste treatment applications • sparging • filter flushing • aeration • sewage ejection