



PROVAC

SALES

PHONE: 831-462-8900

FAX: 831-462-3536

WWW.PROVAC.COM

Pfeiffer A4H Series (124, 204, 604, 804, 1204, 1504, 1804, 2404)

Technical Specifications

	A 124 H	A 604 H	A 1204 H
Max. Peak pumping speed – N ₂	110 m ³ /h	560 m ³ /h	1,150 m ³ /h
Maximum Ultimate pressure (No Purge)	2 · 10 ⁻² hPa	2 · 10 ⁻³ hPa	1 · 10 ⁻³ hPa
Maximum ultimate pressure (50 slm Purge)	1 · 10 ⁻¹ hPa	6 · 10 ⁻³ hPa	6 · 10 ⁻³ hPa
Max continuous inlet flow at full rotational speed	80 slm	60 slm	55 slm
Power supply	200–230 V / 380–480 V, 3 phases ± 10%, 50/60 Hz		
Power consumption at ultimate pressure No exhaust heater	1.5 kW	2.0 kW	2.3 kW
Max. exhaust overpressure	1,200 hPa	1,200 hPa	1,200 hPa
Cooling water flow	2 – 3 l/mn	2.5 – 4 l/mn	2.5 – 4 l/mn
Cooling water temperature ¹⁾	10 to 35 °C	10 to 35 °C	10 to 35 °C
Water connect	3/8 NPT	3/8 NPT	3/8 NPT
N ₂ purge flow	10 to 120 slm	10 to 120 slm	10 to 120 slm
Operating temperature	5 to 40 °C	5 to 40 °C	5 to 40 °C
Inlet flange	DN 50 ISO-KF	DN 100 ISO-K	DN 160 ISO-K
Exhaust flange	DN 40 ISO-KF	DN 40 ISO-KF	DN 40 ISO-KF
Dimensions			
Length (to exhaust flange)	962 mm	962 mm	962 mm
Width	388 mm	388 mm	388 mm
Height (to inlet flange)	578 mm	775 mm	911 mm
Weight	250 kg	370 kg	530 kg
Maximum vibration level at pump inlet flange	< 0.1 g / 1.5 mm/s	< 0.1 g / 1.5 mm/s	< 0.1 g / 1.5 mm/s
Maximum noise level (at ultimate pressure)	< 65 dB(A)	< 68 dB(A)	< 69 dB(A)

	A 204 H	A 804 H	A 1504 H	A 1804 H	A 2404 H
Max. Peak pumping speed – N ₂	160 m ³ /h	700 m ³ /h	1,200 m ³ /h	1,700 m ³ /h	2,300 m ³ /h
Maximum Ultimate pressure (No Purge)	5 · 10 ⁻² hPa	4 · 10 ⁻³ hPa	4 · 10 ⁻³ hPa	4 · 10 ⁻³ hPa	4 · 10 ⁻³ hPa
Maximum ultimate pressure (50 slm Purge)	2 · 10 ⁻¹ hPa	9 · 10 ⁻³ hPa	9 · 10 ⁻³ hPa	9 · 10 ⁻³ hPa	9 · 10 ⁻³ hPa
Max continuous inlet flow at full rotational speed	150 slm	100 slm	100 slm	70 slm	30 slm
Power supply	200–230 V / 380–480 V, 3 phases ± 10%, 50/60 Hz				
Power consumption at ultimate pressure No exhaust heater	1.8 kW	2.3 kW	2.6 kW	2.6 kW	2.6 kW
Max. exhaust overpressure	1,200 hPa	1,200 hPa	1,200 hPa	1,200 hPa	1,200 hPa
Cooling water flow	2 – 4 l/mn	2.5 – 5 l/mn	2.5 – 5 l/mn	2.5 – 5 l/mn	2.5 – 5 l/mn
Cooling water temperature ¹⁾	10 to 35 °C	10 to 35 °C	10 to 35 °C	10 to 35 °C	10 to 35 °C
Water connect	3/8 NPT	3/8 NPT	3/8 NPT	3/8 NPT	3/8 NPT
N ₂ purge flow	10 to 120 slm	10 to 120 slm	10 to 120 slm	10 to 120 slm	10 to 120 slm
Operating temperature	5 to 40 °C	5 to 40 °C	5 to 40 °C	5 to 40 °C	5 to 40 °C
Inlet flange	DN 50 ISO-KF	DN 100 ISO-K	DN 160 ISO-K	DN 160 ISO-K	DN 160 ISO-K
Exhaust flange	DN 40 ISO-KF	DN 40 ISO-KF	DN 40 ISO-KF	DN 40 ISO-KF	DN 40 ISO-KF
Dimensions					
Length (to exhaust flange)	962 mm	962 mm	962 mm	962 mm	962 mm
Width	388 mm	388 mm	388 mm	388 mm	544 mm
Height (to inlet flange)	578 mm	775 mm	911 mm	911 mm	911 mm
Weight	260 kg	380 kg	540 kg	540 kg	640 kg
Maximum vibration level at pump inlet flange	< 0.1 g / 1.5 mm/s	< 0.1 g / 1.5 mm/s	< 0.1 g / 1.5 mm/s	< 0.1 g / 1.5 mm/s	< 0.1 g / 1.5 mm/s
Maximum noise level (at ultimate pressure)	< 65 dB(A)	< 68 dB(A)	< 69 dB(A)	< 69 dB(A)	< 69 dB(A)

¹⁾ Subject to pump T° setting



PROVAC

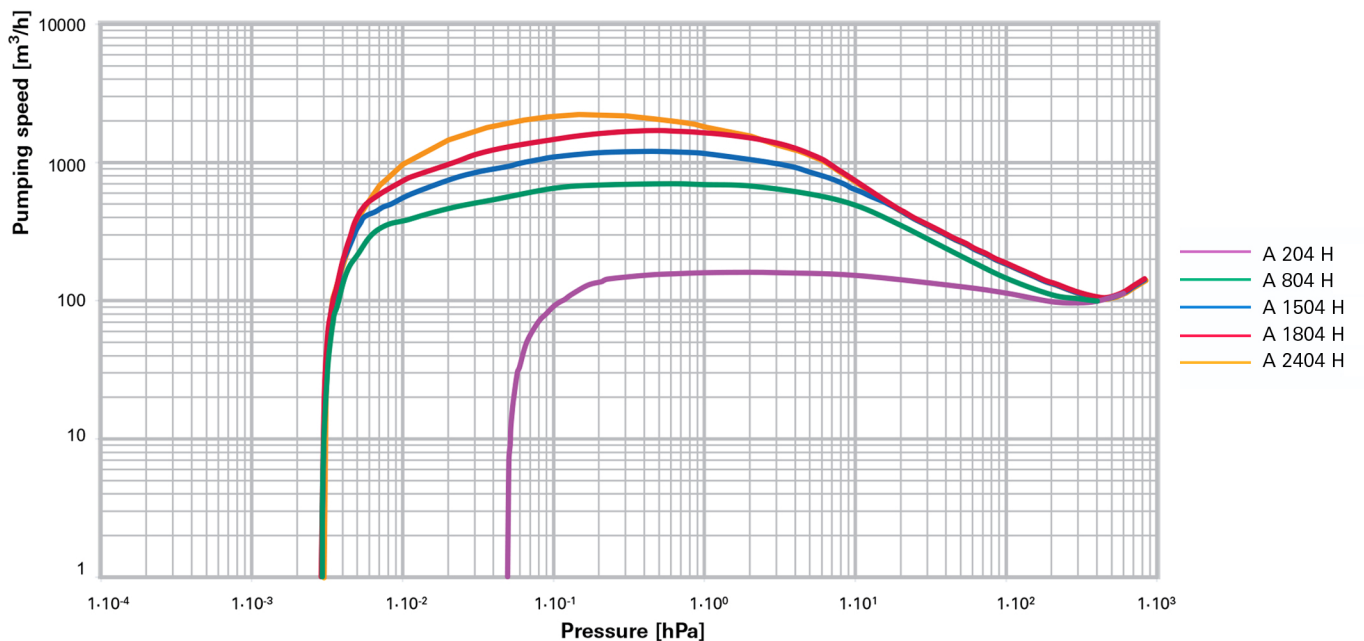
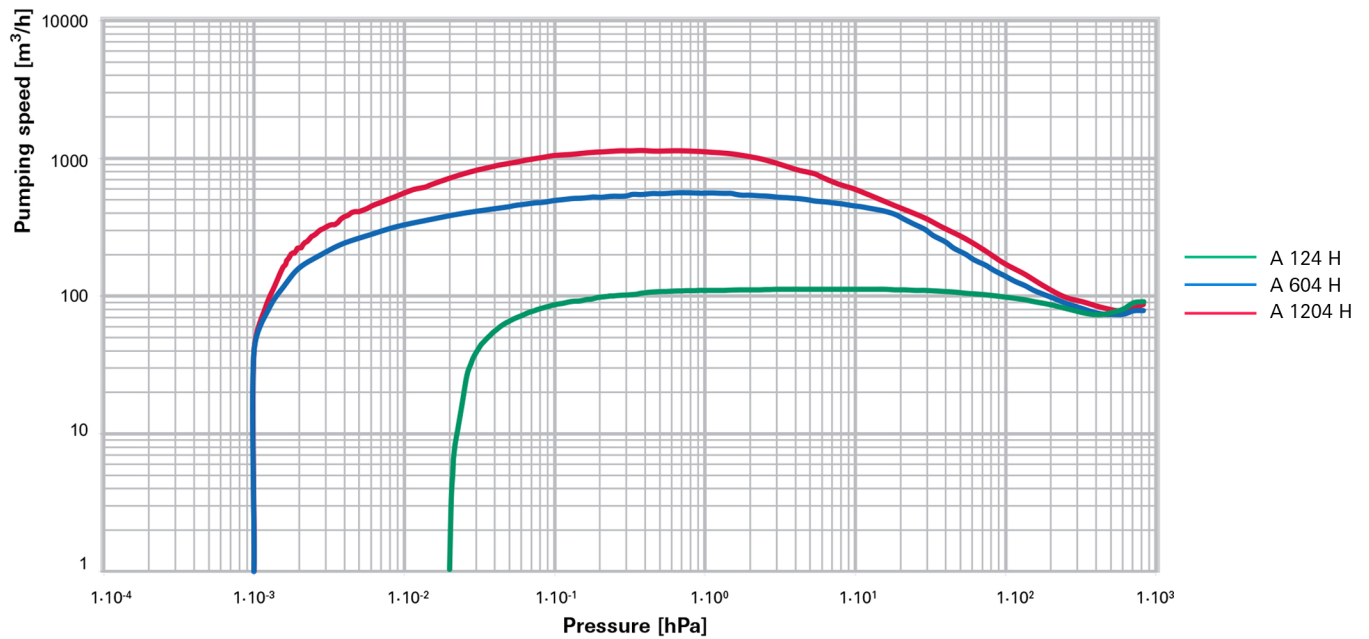
SALES

PHONE: 831-462-8900

FAX: 831-462-3536

WWW.PROVAC.COM

Pfeiffer A4H Series (124, 204, 604, 804, 1204, 1504, 1804, 2404) Pumping Curves





PROVAC

SALES

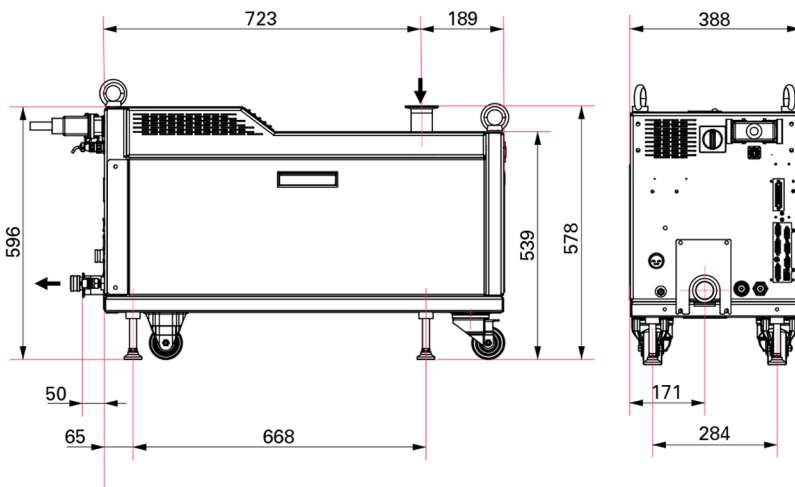
PHONE: 831-462-8900

FAX: 831-462-3536

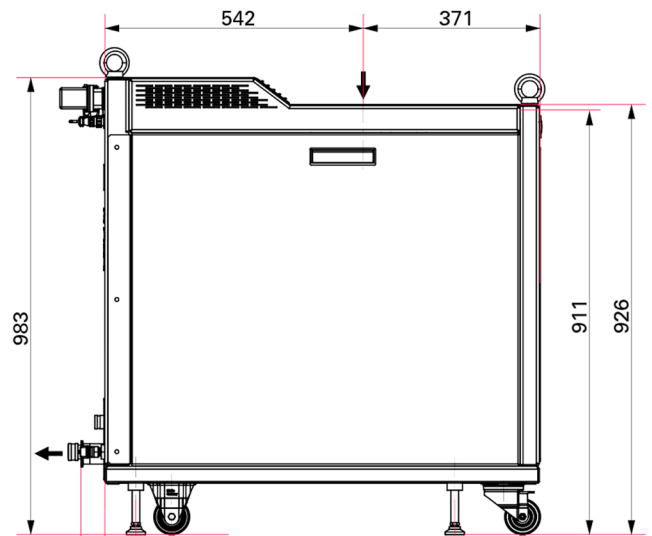
WWW.PROVAC.COM

Pfeiffer A4H Series (124, 204, 604, 804, 1204, 1504, 1804, 2404) Dimensions

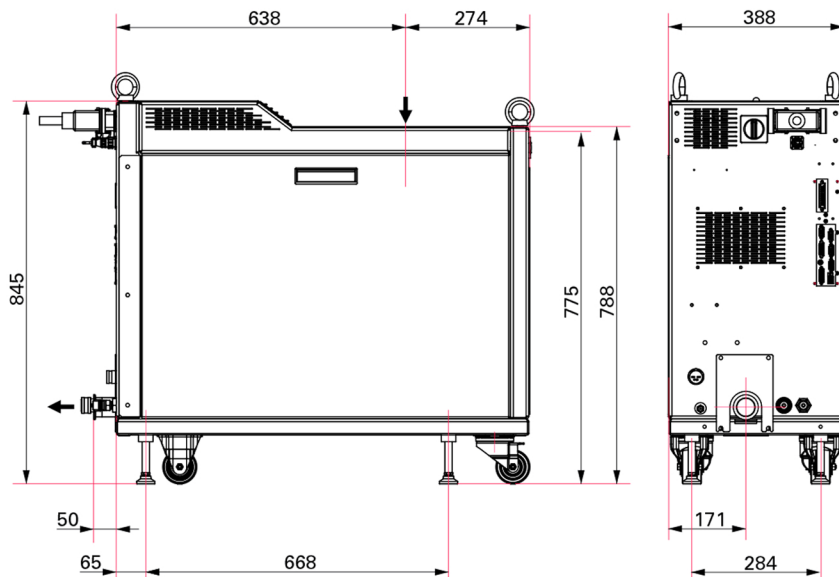
A124H, A204H



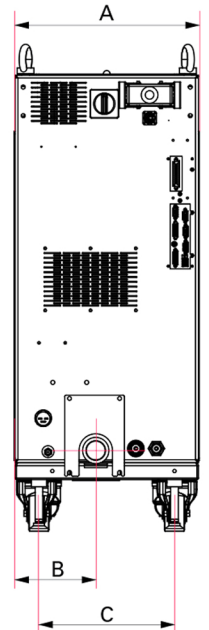
A1204H, A1504H, A1804H, A2404H



A604H, A804H



	A	B	C
A 1204 H	388	171	284
A 1504 H/X	388	171	284
A 1804 H/X	388	171	284
A 2404 H/X	544	213	440





PROVAC

SALES

PHONE: 831-462-8900

FAX: 831-462-3536

WWW.PROVAC.COM

Pfeiffer A4H Series (124, 204, 604, 804, 1204, 1504, 1804, 2404)

Features & Benefits

- energy efficient - low power consumption
- increased resistance to corrosion & by-product condensation
- extended process lifetime & maintenance intervals
- low cost of ownership
- equipped with extended temperature management
- idle mode capability
- user-friendly rotational speed adjustments
- new sophisticated monitoring system
- no required on-site routine maintenance

Applications

- semiconductor • etching • PECVD • SACVD • ALD • coating • LED
- photovoltaics

