



Ebara A07V, A10S, A25S

Technical Specifications

Model		A25S	A10S	A07V
Pumping Speed (50 / 60 Hz)		2500 / 3000 L/min	1000 / 1200 L/min	700 / 840 L/min
Ultimate Pressure (50 / 60 Hz)		5.3 / 4.0Pa	5.3 / 4.0Pa	1.1 / 1.0 Pa
Connection	Gas Inlet	NW50	NW40	NW40
	Gas Outlet	NW40		
Motor		2P 3.7 kW	2P 2.2 kW	2P 1.5 kW
Cooling Water	Connection	Coupler (R c 3/8)		
	Pressure [Gauge Press.]	Supply : Max . 0.4MPa Differential Press. : Min . 0.1MPa		
	Flow Rate	Min. 3.5 L/min		
	Temperature	Max. 30 deg C		
N ₂ Gas	Connection	1/4" Tube Fitting (Same as Swagelok®)		
	Pressure [Gauge Press.]	Supply : 0.1-0.7 MPa [Setting : 0.04-0.07 MPa]		
	Approx. Flow Rate**	17-20 Pa m ³ /s [3.4 Pa m ³ /s]	17-20 Pa m ³ /s [3.4 Pa m ³ /s]	15-19 Pa m ³ /s [3.4 Pa m ³ /s]
Duct Ventilation	Connection	d50 mm×L50 mm		d50 mm×L60 mm
	Pressure	-196 Pa		
	Approx. Flow Rate	0.5 m ³ /min		
Lubrication Oil	Brand	FOMBLIN Y-L VAC 25/6 BARRIERTA J100 DEMNUM S-65 KRYTOX VPF 1525		
	Quantity	0.4 L	0.4 L	0.5 L
Approx. Weight		240 kg	220 kg	150 kg
Power Supply	Phase/Volt/Freq.	3 Phase, 200V (50 Hz), 200-220 V (60Hz)		
	Current Rating (50 / 60 Hz)	18.3 / 17.5 A	11.7 / 11.1 A	8.4 / 8.6 A
	Connection	MS Series 22-22	MS Series 20-4	
Control Signal		(Japan Aviation Electronics Industry) 57 Series 50 (DDK. Ltd)		

** Numerals in brackets [] are flow rate in dilution-0 mode.

Approximate flow rate of N₂ gas shows a necessary total amount for seal N₂ and dilution N₂.

LCD controller displays only the flow rate of dilution N₂.



PROVAC

SALES

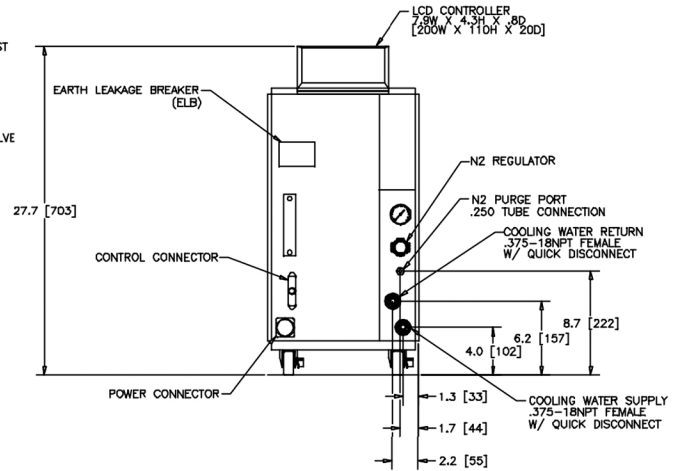
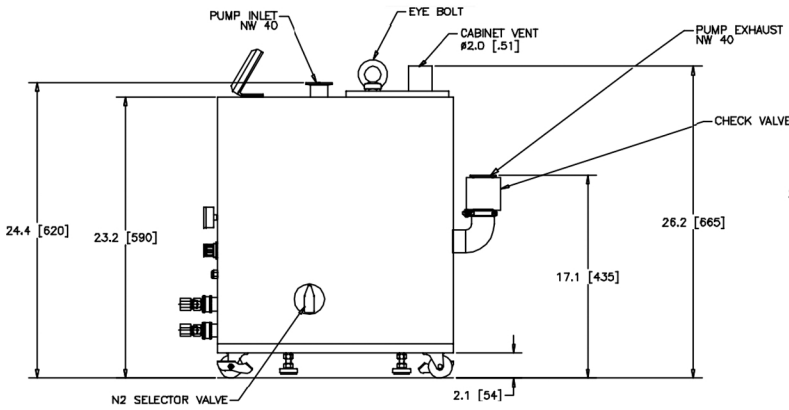
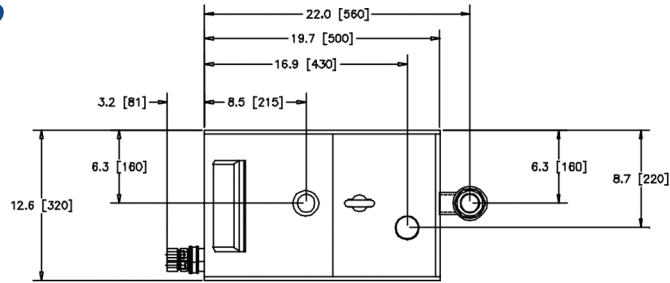
PHONE: 831-462-8900

FAX: 831-462-3536

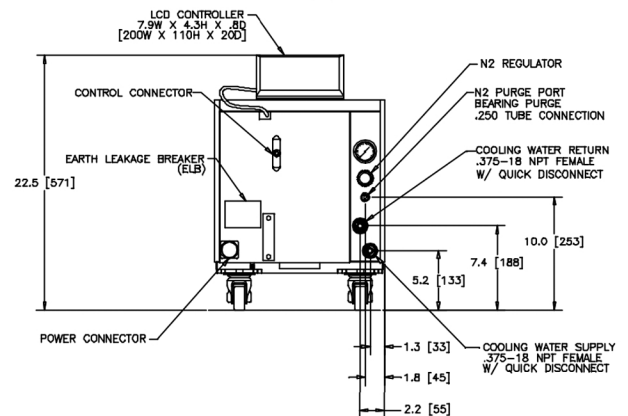
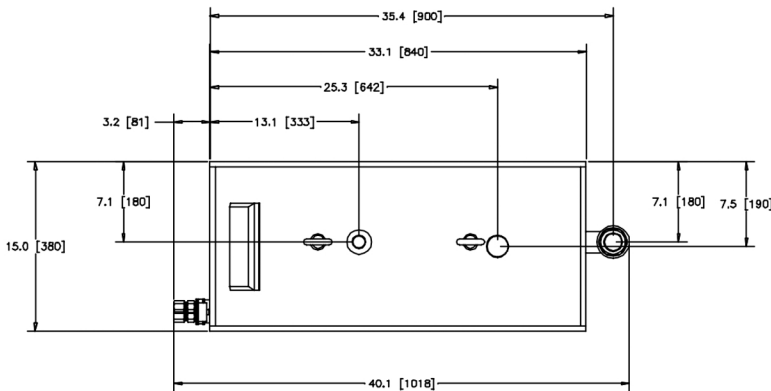
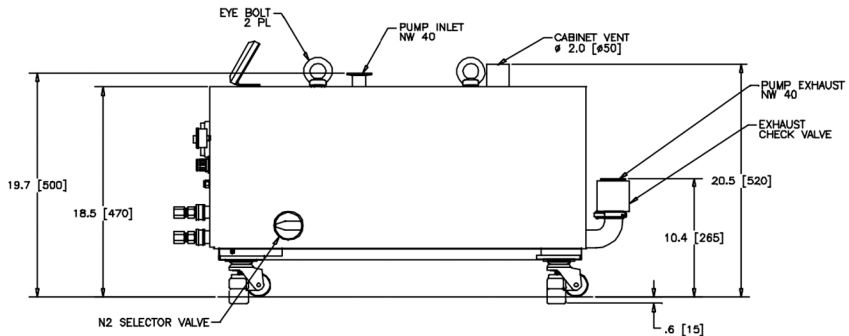
WWW.PROVAC.COM

Ebara A07V, A10S, A25S Dimensions

A07V



A10S





PROVAC

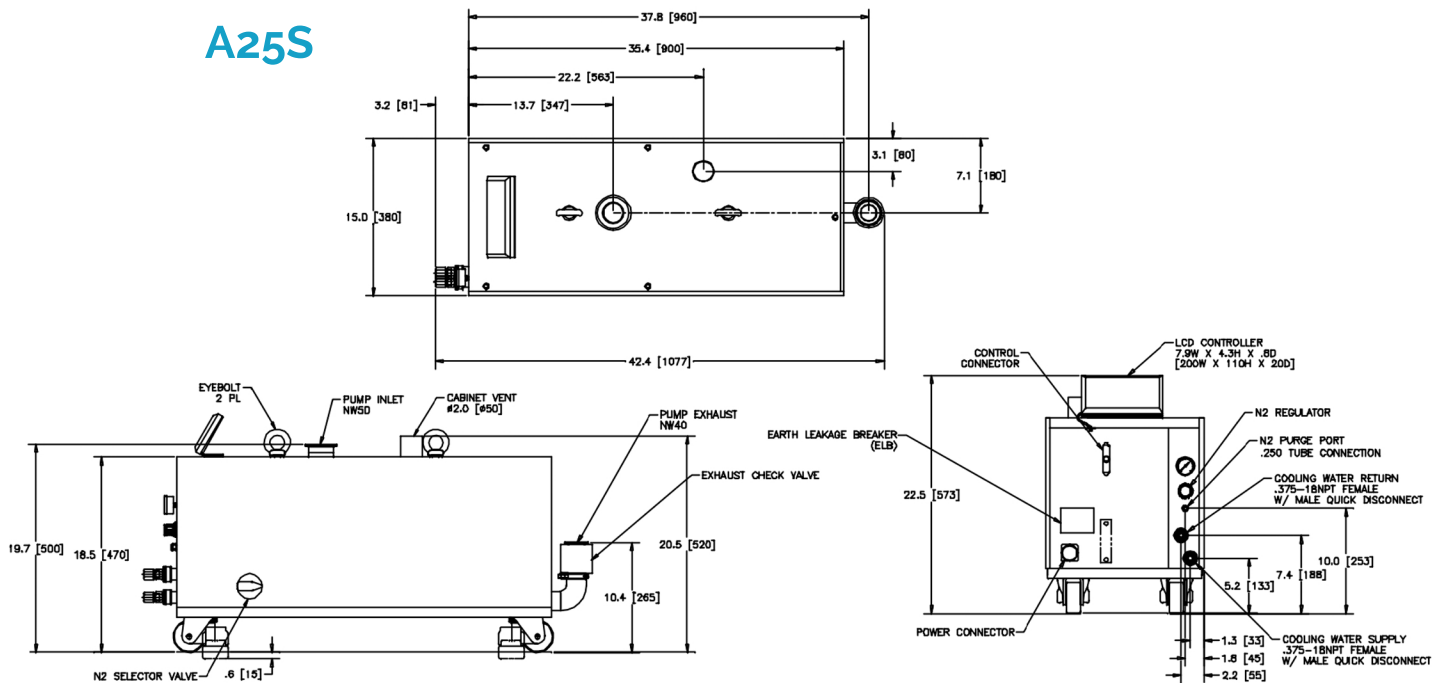
SALES

PHONE: 831-462-8900

FAX: 831-462-3536

WWW.PROVAC.COM

Ebara A07V, A10S, A25S Dimensions cont.



Features & Benefits

- high pump operating temperature prevents condensation
- low noise & vibration
- corrosion resistant materials
- high reliability even through harsh processes
- low service requirements
- clean room compatible
- compact size & small footprint

Applications

- semiconductor • solar • research & development