

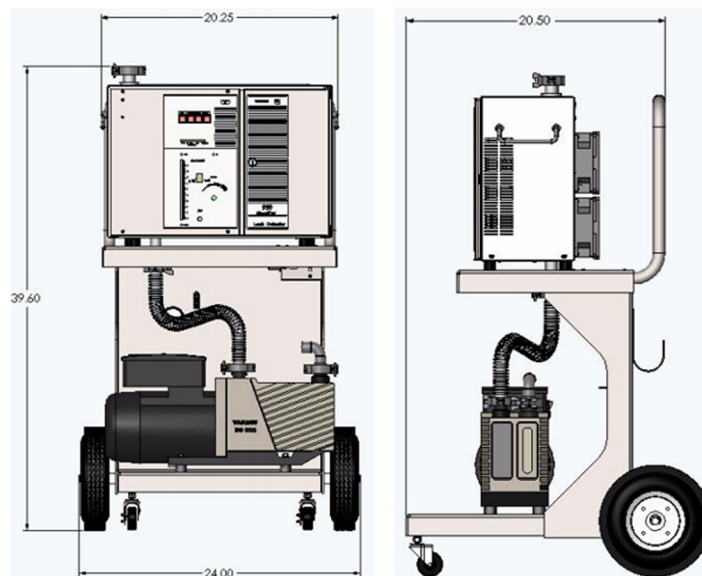


# Varian 959, 959D

## Technical Specifications

Agilent Varian	Units	959 Wet	959 Dry
<b>Configuration options</b>	–	Bench/Mobile	Bench/Mobile
<b>Primary pump type</b>	type	Rotary vane pump	Dry scroll pump
<b>Pump</b>	model	DS-302	TS-320
<b>Min detectable leak</b>	mbar l/s	$\leq 2 \cdot 10^{-9}$	$\leq 2 \cdot 10^{-9}$
<b>Maximum test port pressure</b>	Torr	1	1
<b>Calibration Routine</b>	type	Manual	Manual
<b>Sensitivity ranges</b>	mbar l/s	$10^{-4}$ thru $10^{-8}$	$10^{-4}$ thru $10^{-8}$
<b>Response time</b>	sec	2	2
<b>Dimensions (w x h x d)</b>	mm	508 x 396 x 254	508 x 396 x 254
<b>Weight</b>	kg	22.7	22.7

## Dimensions





# PROVAC

## SALES

PHONE: 831-462-8900

FAX: 831-462-3536

WWW.PROVAC.COM

## Varian 959, 959D

### Features & Benefits

- portable unit that includes a cart
- does not require liquid nitrogen
- digital display
- automatic leak detection
- fast pump down cycles
- high test port pressure tolerance
- available in wet and dry versions
- simple rugged design



### Applications

- industrial process tools • power generation • high energy physics
- research & development • nanotechnology instrumentation • small parts manufacturing