



Welch 8920, 8925

Technical Specifications

SPECIFICATION	8920	8925
Free Air Displacement CFM (L/min) @ 60Hz (L/min) m3h @ 50Hz	7.7 (218) (182) 10.8	11.3 (320) (266) 16.0
Normal Pumping Speed CFM (L/min) @ 60Hz (L/min) m3h @ 50Hz	7.4 (210) (175) 10.5	10.0 (283) (236) 14.2
Guaranteed Ultimate Pressure* Torr	3×10^{-4}	4×10^{-4}
Water Vapor Tolerance (capacity), Torr Water Vapor Tolerance (capacity), g/hr	15 180	15 180
Sound Level dBA	54	55
Motor/Pump Speed RPM @ 60Hz RPM @ 50Hz	1725 1425	1725 1425
Motor Voltage 50/60Hz Single Phase Current 115V (230V) @ 60Hz Current 230V @ 50Hz	6.8A (3.4A) 3.4A	10.0A (5.0A) 5.0A
Motor Horsepower	1/2	3/4
Oil Capacity , quarts (liters)	1.3 (1.2)	1.2 (1.1)
Intake Connection	Unibarb for 9/16" and 13/16" I.D. Hose, Threaded for 1-1/8"-20	Unibarb for 9/16" and 13/16" I.D. Hose, Threaded for 1-1/8"-20
Tubing needed, I.D. in inches in mm	9/16 or 13/16 14 or 20	9/16 or 13/16 14 or 20
Exhaust Connection	1"-20 Thread	1"-20 Thread
Gas Ballast Connection	10-32 Thread	10-32 Thread
Pump Weight lbs.	58.5	63
Overall Dimensions Length (inch / cm) Width (inch / cm) Height (inch / cm)	20.8 / 52.8 7.1 / 17.9 11.0 / 27.9	22.2 / 56.4 7.1 / 17.9 11.0 / 27.9
Exhaust Filter (Optional) Cat. No.	1417P-10 / 1416C	1417P-10 / 1416C
Oil Type Cat. No.	8995P / 8995G	8995P / 8995G



PROVAC

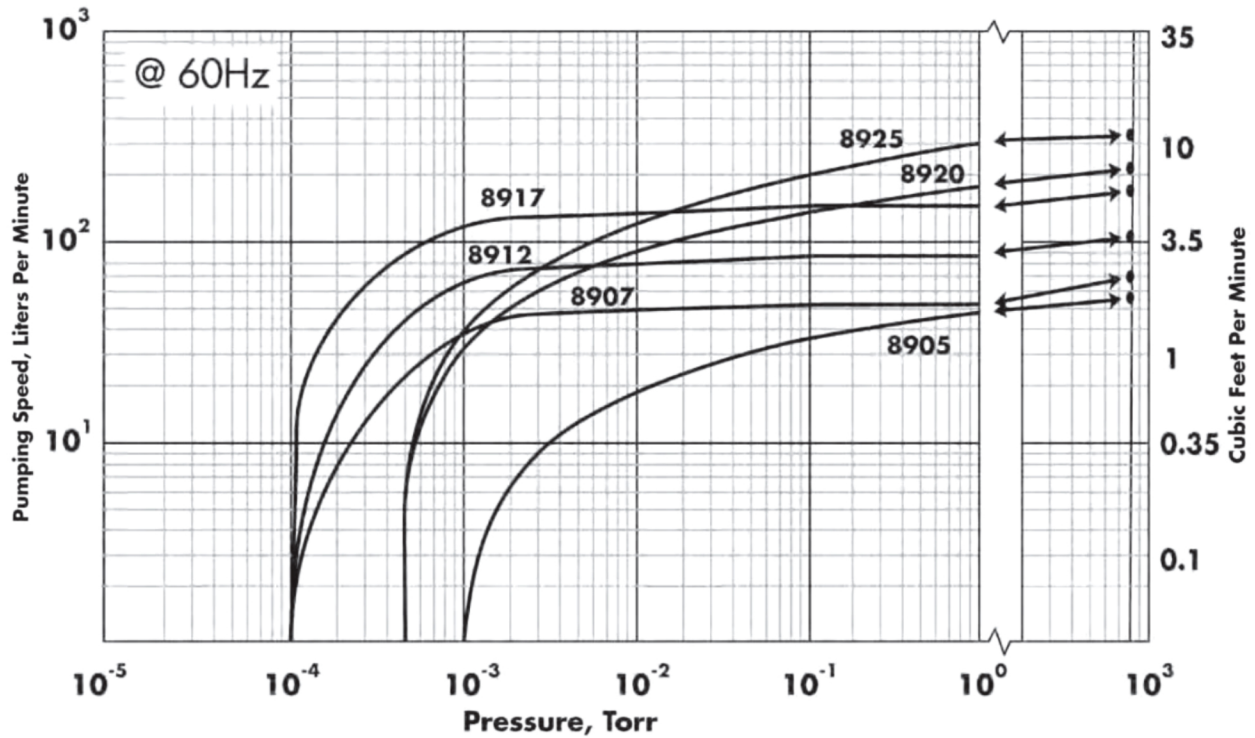
SALES

PHONE: 831-462-8900

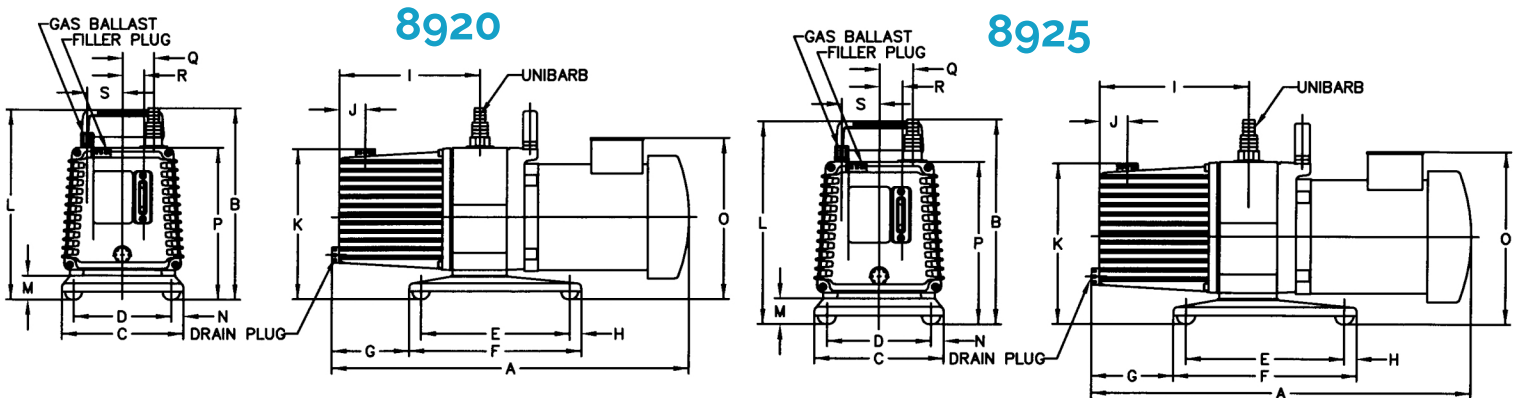
FAX: 831-462-3536

WWW.PROVAC.COM

Welch 8920, 8925 Pumping Curves



Dimensions



Pump Model	A	B	C	D	E	F	G	H	I	J	K	L	M	N	O	P	Q	R	S
8920A	21.00	10.40	6.14	3.86	8.90	10.40	-	0.75	7.85	1.60	8.60	10.30	1.00	1.10	9.40	8.20	1.82	1.25	2.07
8920C-02	21.00	10.40	6.14	3.86	8.90	10.40	-	0.75	7.85	1.60	8.60	10.30	1.00	1.10	9.40	8.20	1.82	1.25	2.07
8925A	20.40	10.40	6.14	3.86	8.90	10.40	-	0.75	7.85	1.60	8.60	10.30	1.00	1.10	9.40	8.20	1.82	1.25	2.07
8925C-02	20.40	10.40	6.14	3.86	8.90	10.40	-	0.75	7.85	1.60	8.60	10.30	1.00	1.10	9.40	8.20	1.82	1.25	2.07