



Welch 8907, 8912, 8917

Technical Specifications

Specifications		WELCH Two Stage Pumps		
Model	8907	8912	8917	
Free Air Displacement				
cfm (l/min.) @60 Hz	2.6(73)	3.8(108)	6.1(173)	
m ³ /hr (l/min.) @50 Hz	3.7(61)	5.4(90)	8.6(144)	
Ult. Vac. Pressure, torr(mbar)	1x10 ⁻⁴ (0.00013)	1x10 ⁻⁴ (0.00013)	1x10 ⁻⁴ (0.00013)	
Sound Level, dBA	50	50	50	
Motor/Pump Speed (60 Hz)	1725	1725	1725	
Motor Horsepower (watts)	1/2(370)	1/2(370)	1/2(370)	
Oil Capacity, qt.(liters)	1.0(0.95)	0.9(0.86)	0.9(0.86)	
Tubing Needed, I.D. in.(mm)	7/16, 3/4 (11, 20)	7/16, 3/4 (11, 20)	7/16, 3/4 (11, 20)	
Intake Connection(thread) ²	UNIBARB (1 1/8-20)	UNIBARB (1 1/8-20)	UNIBARB (1 1/8-20)	
Exhaust Connection	1-20	1-20	1-20	
Exhaust Filter Included	No	No	No	
Weight, lbs.(kg)	40(18)	41(18)	43(19.5)	
Overall Dimensions	18.5x6.5x9.6	18.5x6.5x9.6	18.5x6.5x9.6	
LxWxH in.(cm)	(47.1x16.5x24.3)	(47.1x16.5x24.3)	(47.1x16.5x24.3)	
Ship Weight, lbs.(kg)	55(25)	55(25)	60(27.3)	
Shipping Carton Dimensions	24x15.8x14	24x15.8x14	24x15.8x14	
LxWxH in.(cm)	(61x40.1x35.6)	(61x40.1x35.6)	(61x40.1x35.6)	
Ordering Information				
Wired for 115V, 60Hz, 1 Ph with N. American 115V Plug ^{3,4}	8907A	8912A	8917A	
Wired for 230V, 50Hz, 1 Ph with Cont. Euro. (Schuko) Plug ^{3,5}	8907C-02	8912C-02	8917C-02	
Wired for 230V, 60Hz with N. American 230V Plug ^{3,4}	---	8912C-01	8917C-01	
Expl. Proof Motor 115V, 60Hz ^{3,4}	---	---	8917W	



PROVAC

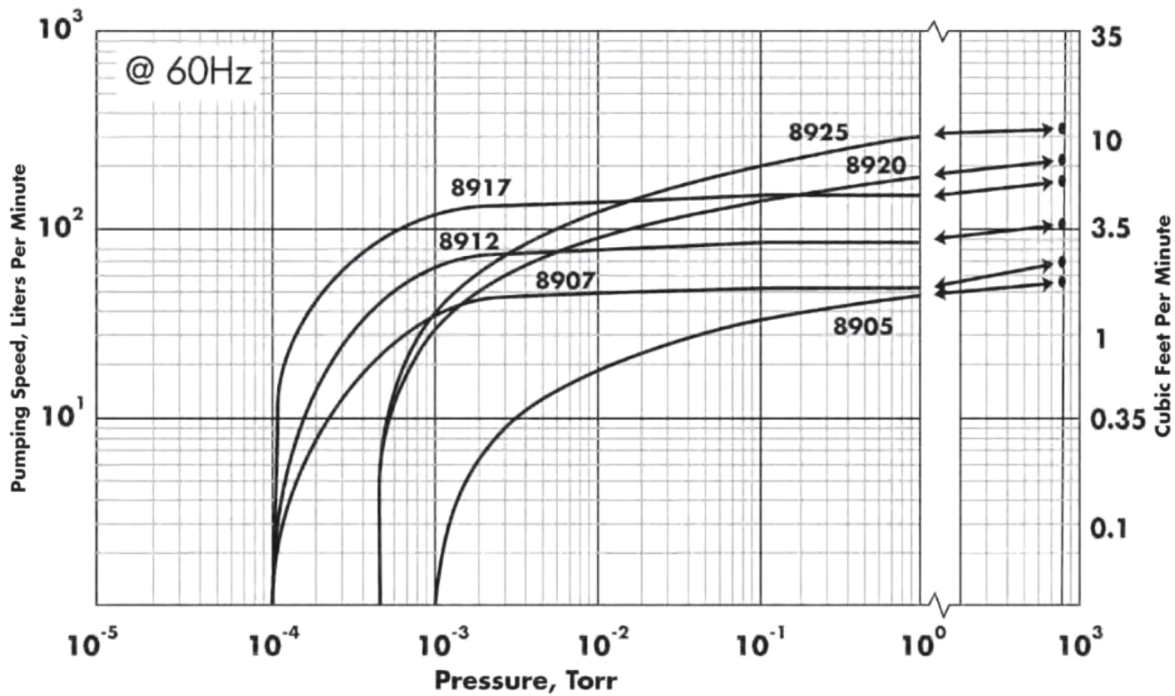
SALES

PHONE: 831-462-8900

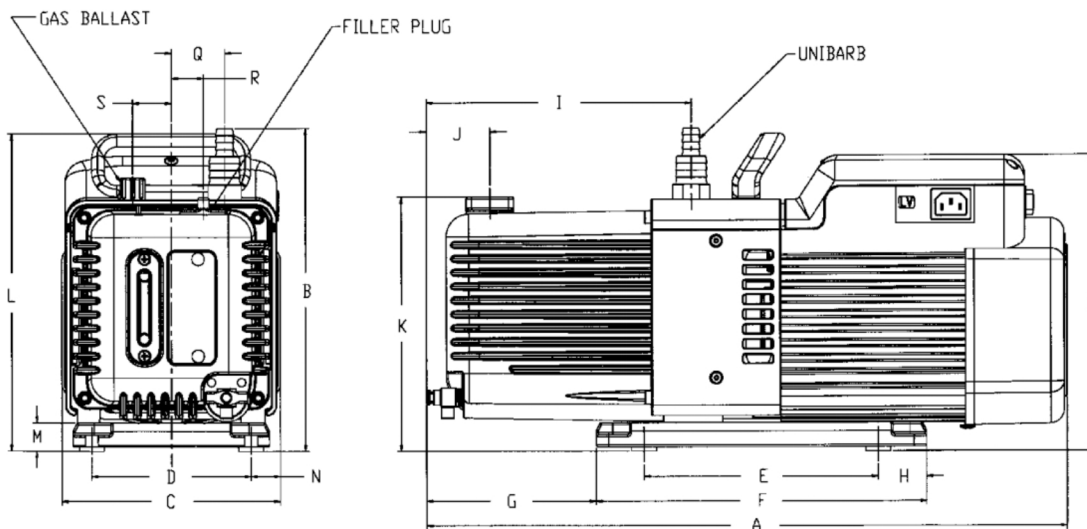
FAX: 831-462-3536

WWW.PROVAC.COM

Welch 8907, 8912, 8917 Pumping Curves



Dimensions



	A	B	C	D	E	F	G	H	I	J	K	L	M	N	O	P	Q	R	S
8907A	18.90	9.60	6.54	4.76	7.00	9.88	5.05	1.44	7.92	1.90	7.60	9.45	0.87	0.89	8.78	-	1.61	0.94	1.18
8912A	18.90	9.60	6.54	4.76	7.00	9.88	5.05	1.44	7.92	1.90	7.60	9.45	0.87	0.89	8.78	-	1.61	0.94	1.18
8917A	18.90	9.60	6.54	4.76	7.00	9.88	5.05	1.44	7.92	1.90	7.60	9.45	0.87	0.89	8.78	-	1.61	0.94	1.18



PROVAC

SALES

PHONE: 831-462-8900

FAX: 831-462-3536

WWW.PROVAC.COM

Welch 8907, 8912, 8917

Features & Benefits

- two-stage, oil-sealed
- lightweight, compact design
- integral isolation valve
- gas ballast valve

Applications

- freeze drying • glove box • vacuum manifold • vacuum distillation
- vacuum roughing • high vacuum backing pump applications

