



Welch 8890, 8905

Technical Specifications

	8890	8905
Free Air Displacement		
cfm (l/min.) @60 Hz	1.1 (31)	1.8 (51)
m ³ /hr (l/min.) @50 Hz	1.6 (26)	2.6 (43)
Ult. Vac. Pressure, torr(mbar) ¹	1 x 10 ⁻¹ (0.133)	2x10 ⁻³ (2.7x10 ⁻³)
Sound Level, dBA	58	52
Motor/Pump Speed (60 Hz)	3450	3450
Motor Horsepower (watts)	1/4 (190)	1/4 (190)
Oil Capacity, qt.(liters)	0.48 (0.45)	0.42 (0.4)
Tubing Needed, I.D. in.(mm)	3/8 (10)	7/16 (11)
Intake Connection(thread) ²	1/4 in NPT	3/4-20
Exhaust Connection	3/4-20	3/4-20
Exhaust Filter Included	Yes ⁶	No
Weight, lbs.(kg)	24.5 (11.1)	24.5 (11.1)
Overall Dimensions	14.5x5.1x8.4	14.5x5.1x8.4
LxWxH in.(cm)	(36.8x13x21.3)	(36.8x13x21.3)
Ship Weight, lbs.(kg)	33 (15)	33 (15)
Shipping Carton Dimensions	21.5x12.5x16	21.5x12.5x16
LxWxH in.(cm)	(55x32x41)	(55x32x41)
Ordering Information		
Wired for 115V, 60Hz,1 Ph with N. American 115V Plug ^{3,4}	8890A	8905A
Wired for 230V, 50Hz,1 Ph with Cont. Euro. (Schuko) Plug ^{3,5}	8890C-02	8905C-02



PROVAC

SALES

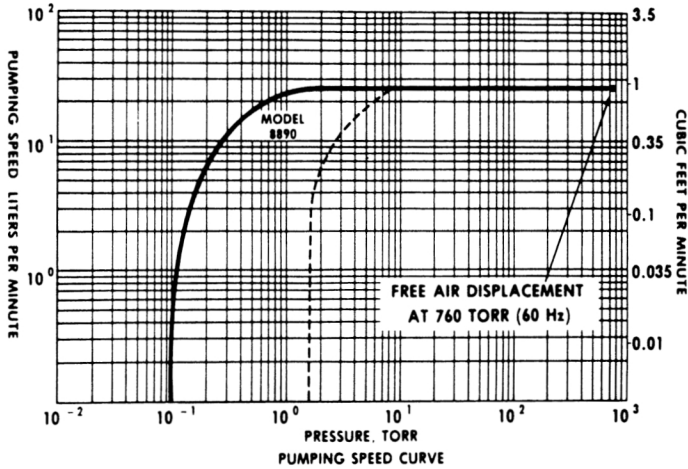
PHONE: 831-462-8900

FAX: 831-462-3536

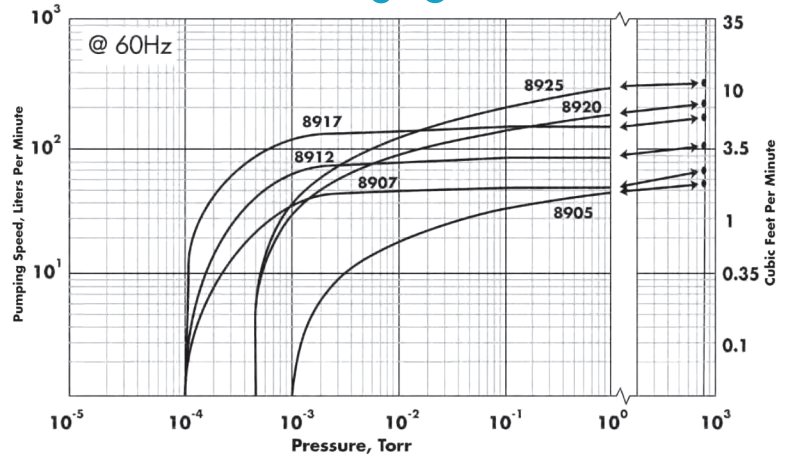
WWW.PROVAC.COM

Welch 8890, 8905 Pumping Curves

8890

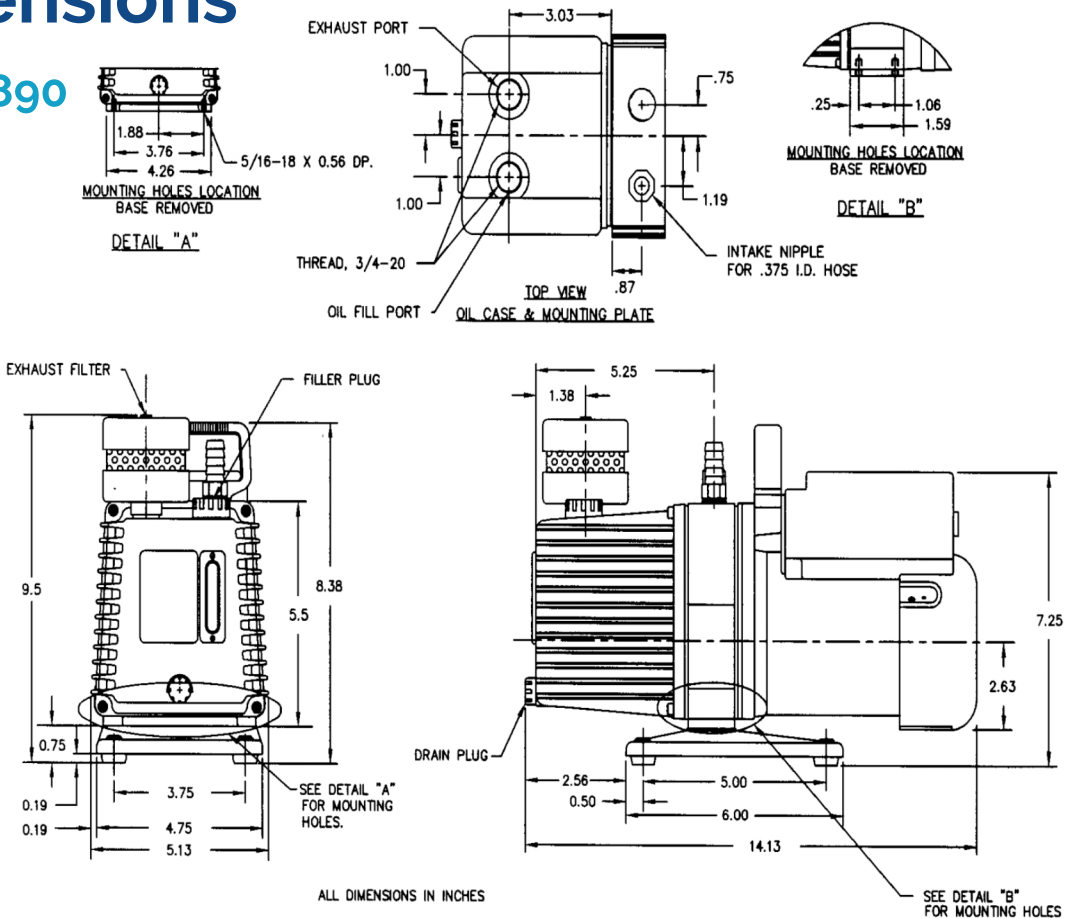


8905



Dimensions

8890





PROVAC

SALES

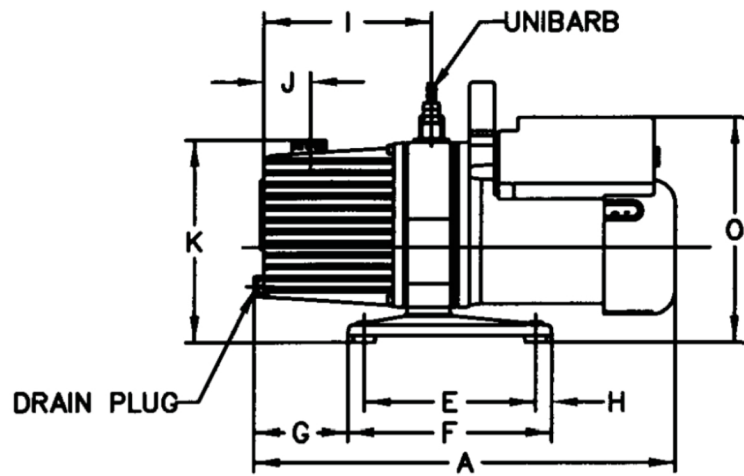
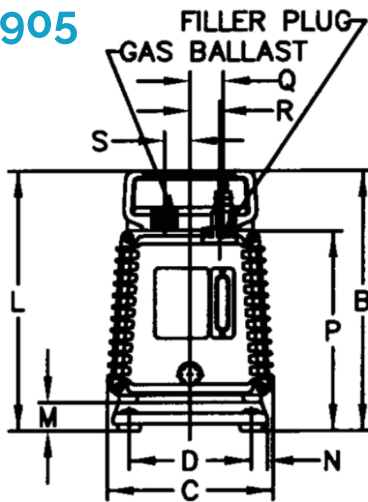
PHONE: 831-462-8900

FAX: 831-462-3536

WWW.PROVAC.COM

Welch 8890, 8905 Dimensions cont.

8905



	A	B	C	D	E	F	G	H	I	J	K	L	M	N	O	P	Q	R	S
8905A	14.13	8.70	5.52	4.07	5.73	6.81	3.16	0.54	5.58	1.56	6.76	8.70	0.95	0.54	7.50	6.68	1.10	0.98	0.85
8905C-02	14.13	8.70	5.52	4.07	5.73	6.81	3.16	0.54	5.58	1.56	6.76	8.70	0.95	0.54	7.50	6.68	1.10	0.98	0.85

Features & Benefits

- two-stage, oil-sealed
- lightweight, compact design
- integral isolation valve
- gas ballast valve



Applications

- freeze drying • glove box • vacuum manifold • vacuum distillation
- vacuum roughing • high vacuum backing pump applications