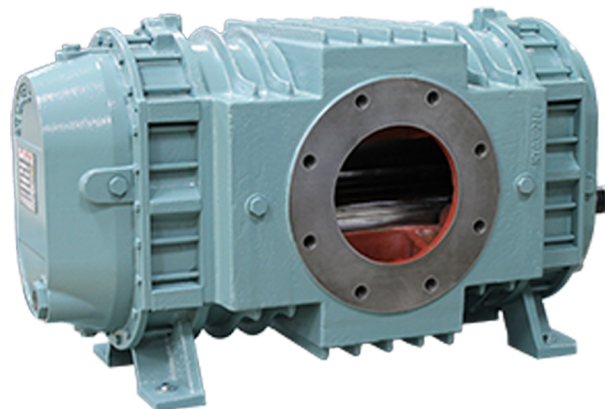




Stokes 607, 615

Technical Specifications

Units	607	607 PIB	615	615 PIB	
Displacement					
V belt 2750 rpm	m ³ h ⁻¹ / ft ³ min ⁻¹	1589 / 935	1589 / 935	3375 / 2000	3375 / 2000
Direct drive 1800 rpm	m ³ h ⁻¹ / ft ³ min ⁻¹	1040 / 612	-	2210 / 1300	-
Direct drive 3000 rpm	m ³ h ⁻¹ / ft ³ min ⁻¹	1733 / 1020	1733 / 1020	3685 / 2170	3685 / 2170
Direct drive 3600 rpm	m ³ h ⁻¹ / ft ³ min ⁻¹	2080 / 1224	2080 / 1224	4420 / 2600	4420 / 2600
Inlet/outlet flanges	ASA/ANSI flange	6"		8"	
Motor power	hp (kW)	5 / 20 (7.5)	10 (7.5)	10 (11)	15 (11)
Cooling method		Air Cooled	-	Air cooled	-
By-pass available					
Cooling water	l min ⁻¹ / gal min ⁻¹	-	7.6-11.4 / 2-3	-	7.6-11.4 / 2-3
Oil capacity (horizontal flow)	litre / gal	1.9 / 0.51	1.9 / 0.51	1.9 / 0.51	1.9 / 0.51
Oil capacity (vertical flow)	litre / gal	4.1 / 1.1			
Max pressure differential	mbar / Torr	506 / 380			
Max temp rise	°C/F	135 / 275			
Max discharge temp	°C/F	191 / 375			
Weight bare shaft	kg / lbs	215 / 475		234 / 515	
Weight TEFC direct drive	kg / lbs	408 / 900	345 / 760	390 / 860	397 / 875
Recommended Oil		V- Lube H			

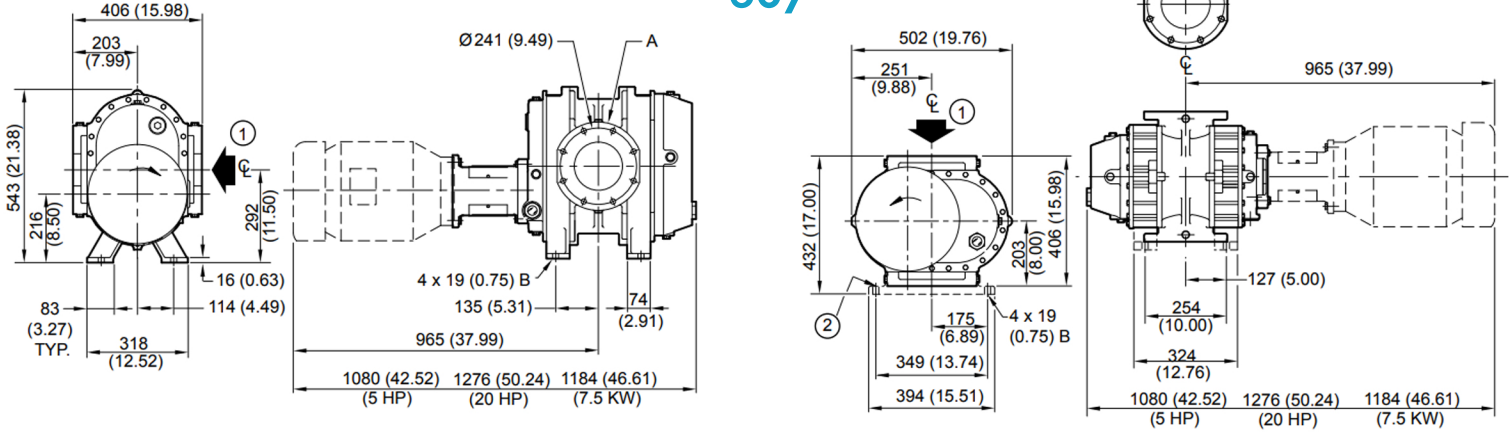




Stokes 607, 615

Dimensions

607



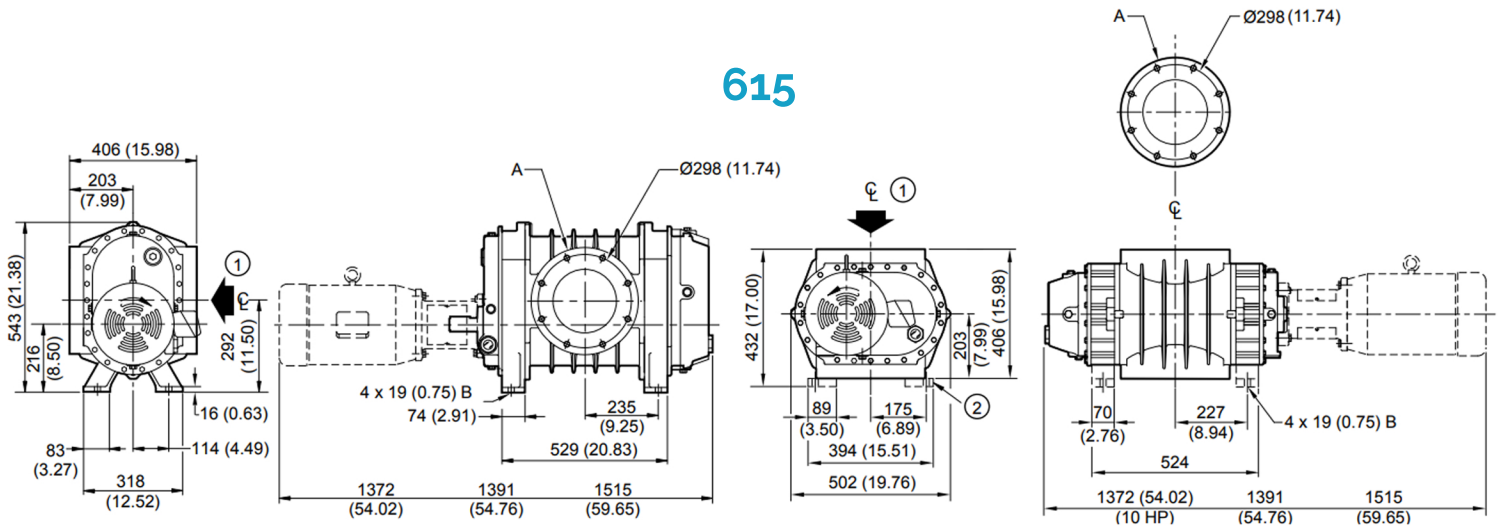
A 6" pipe flange connection 11" (279 mm) OD x (152 mm) ID 8 x 3/4⁻¹⁰ NC-2B x 1 1/8" (29 mm) holes straddle both CL both flanges

B DIA. Holes

1. STD Inlet

2. Optional feet

615



A 8" pipe flange connection 13 1/2" (343 mm) OD x 8" (203 mm) ID 8 x 3/4⁻¹⁰ NC-2B x 1 1/8" (29 mm) holes straddle both CL both flanges

B DIA. Holes

1. STD Inlet

2. Optional feet



PROVAC

SALES

PHONE: 831-462-8900

FAX: 831-462-3536

WWW.PROVAC.COM

Stokes 607, 615

Features & Benefits

- ideal for larger chambers & systems due to pumping capacity
- can be configured as belt drive or direct drive
- can be configured for horizontal or vertical flow
- increased lifetime, reliability & simplicity

Applications

- automotive • chemical processing • heat treatment • leak detection
- metallurgy • PET processing • pharmaceuticals • thermal processing
- transformer drying & cable fluid conditioning • vacuum coating
- vacuum melting • pharmaceuticals

