



PROVAC

SALES

PHONE: 831-462-8900

FAX: 831-462-3536

WWW.PROVAC.COM

Agilent 4UHV Technical Specifications

Input Voltage	100 - 240 Vac (+/-10%)
Input Frequency	50/60 Hz
Dimensions	400.5 x 211.4 x 177.0 mm (l x w x h)
Display	4 rows with 20 characters
Available configurations	1 x 200 W, 2 x 80 W, 2 x 200 W, 4 x 80 W, 2 x 80 W +1 x 200 W
Minimum Configuration	One HV card with 200W or 2x80W
Output Voltage (Open Circuit)	3, 5 and 7 kV
Output Current (Short Circuit)	40 mA for 80 W channel, 100 mA for 200 W channel
Modes of Operation	Local / Serial / Remote
Front Panel Readings	Voltage, Pressure, Current, Status
Safety Marks	CE, C_CSA_US
Current Measurement Range	10 nA to 100 mA
Input Signals	On/off; Protect; Step Mode;
Output Signals	Analog Out; NC Set-point; NO Set-point
HV Connector	Fischer Type 105
Output Power Maximum	400 W
Communications	RS232 / 485 standard Profibus or Ethernet optional





PROVAC

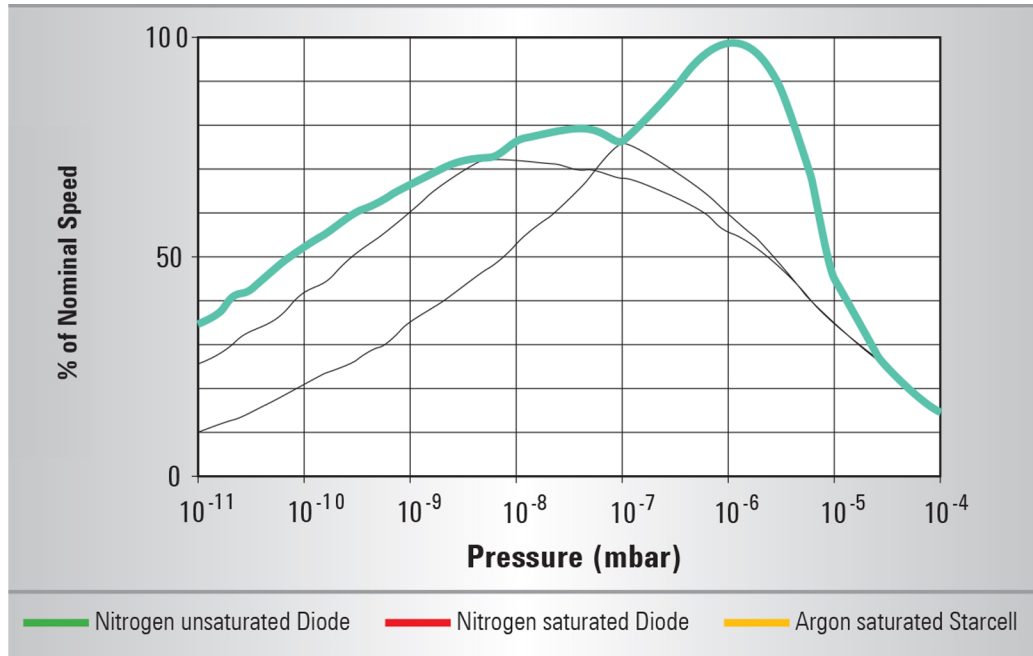
SALES

PHONE: 831-462-8900

FAX: 831-462-3536

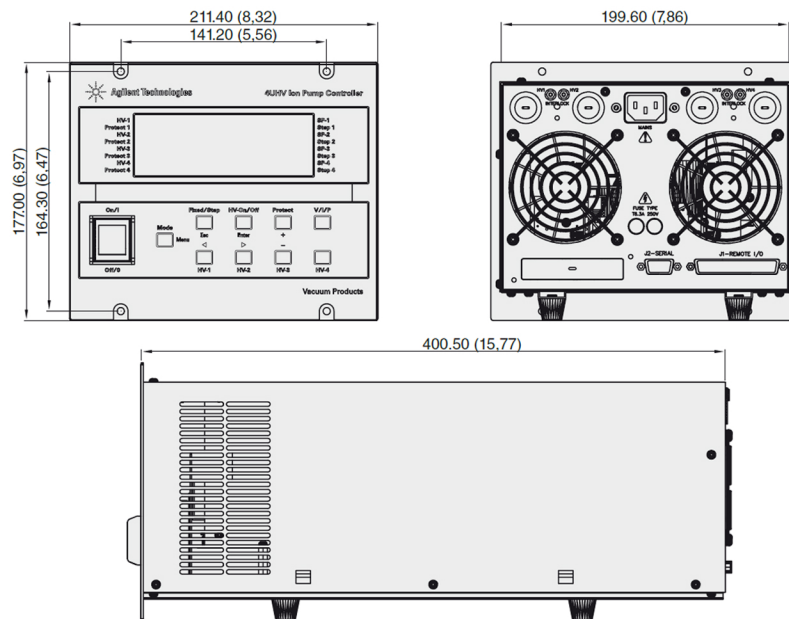
WWW.PROVAC.COM

Agilent 4UHV Pumping Curves



Pumping Speed vs Pressure at Different Voltages

Dimensions



Dimensions: millimeters (inches)