



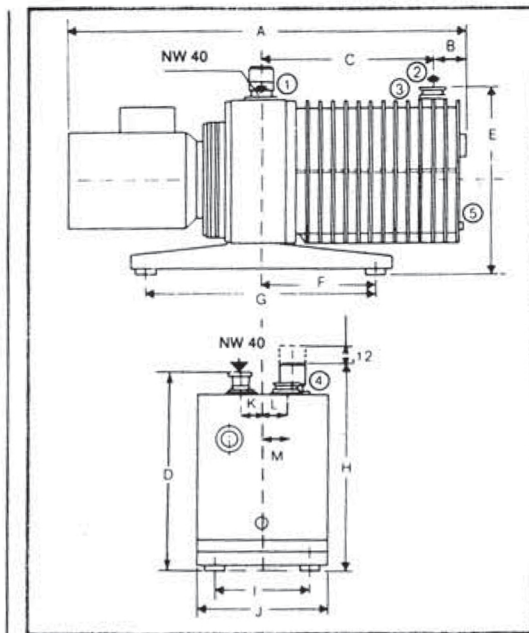
# Alcatel 2033, 2063

## Technical Specifications

50 Hz				60 Hz		
2033	2063			2033	2063	
35	65	m <sup>3</sup> /h	Nominal pumping speed	cfm	27	50
585	1080	l/mn		Free air displacement	l/mn	765
2	2	Stages		2	2	
1 × 10 <sup>-4</sup>	2 × 10 <sup>-4</sup>	mbar	Ultimate vacuum*	mbar	1 × 10 <sup>-4</sup>	2 × 10 <sup>-4</sup>
700	1200	g/h	Water vapor capacity**	grams/hr	700	1200
3.6	7	l	Oil capacity	qt	3.8	7.4
1.1	2.2	kW	Motor rating	hp	1 1/2	3
1500	1500	rpm	Rotational speed	rpm	1800	1800
220-380 V/50 Hz	220-380 V/50 Hz	3 ph	Electrical rating	1 Ø	115-230 V/60 Hz	N/A
				3 Ø	230-460 V/60 Hz	230-460 V/60 Hz
40	40	NW	Inlet/Exhaust flanges (Pneurop)	NW	40	40
61	100	kg	Weight 3Ø (1Ø)	lbs	134 (138)	220
134	220	lbs		kg	61 (63)	100

\* Partial pressure measurement according to PNEUROP specifications. \*\* Water vapor at 30°C.

## Dimensions



Dimensions inch (mm)

	2033	2063
A 1 Ø	28.65 (727)	—
A 3 Ø	27.35 (694)	31.60 (802)
B	2.35 (59)	2.55 (64)
C	11.47 (288)	13.62 (342)
D	15.66 (393)	17.61 (442)
E	13.35 (335)	15.26 (383)
F	8.21 (206)	9.12 (229)
G	14.78 (375)	17.72 (459)
H	14.68 (373)	16.81 (422)
I	5.58 (140)	7.57 (190)
J	8.48 (213)	10.52 (264)
K	1.67 (42)	1.79 (45)
L	1.67 (42)	1.79 (45)
M	2.39 (60)	2.31 (58)



# PROVAC

## SALES

PHONE: 831-462-8900

FAX: 831-462-3536

WWW.PROVAC.COM

## Alcatel 2033, 2063 Pumping Curves

