

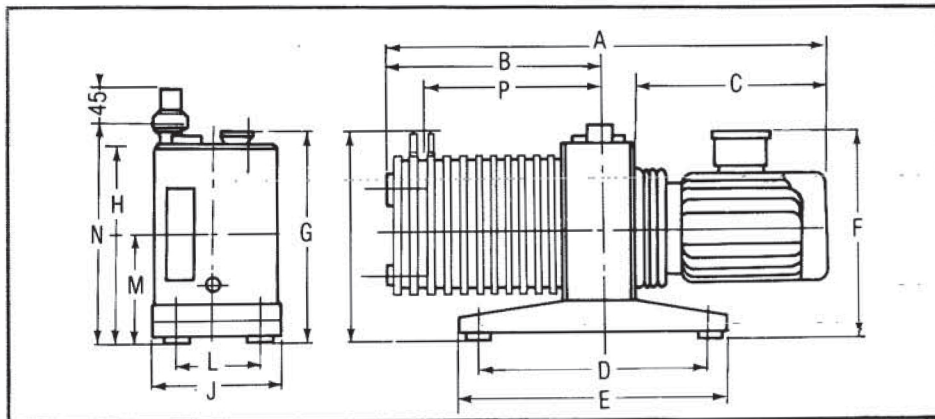


Alcatel 2033CP+, 2063CP+

Technical Specifications

MODEL	2033 CP... PLUS	2063 CP... PLUS
Stages	2	2
Free air displacement	60 Hz cfm (l/mn)	27 (765)
	50 Hz m ³ /h(l/mn)	35 (585)
*Ultimate vacuum (partial pressure) mbar	5×10^{-4}	5×10^{-4}
Ultimate gas ballast mbar	5×10^{-2}	5×10^{-2}
Gas bubbler flow-2 psi (N ₂) (max.)	1000 to 5000 SCCM	1500 to 5000 SCCM
Gas ballast supply (N ₂) pressure	2 psig	2 psig
Fluid capacity qt (l)	3.8 (3.6)	7.1 (6.7)
50 Hz-1500 rpm-Motor (hp)**	1 1/2	3
60 Hz-1800 rpm-Motor (hp)**	1 1/2	3
Weight lbs (kg)	167 (76)	232 (105)
Inlet/outlet NW flanged	NW 40	NW 40

Dimensions



MODEL	3 Ø 2033 CP... PLUS	3 Ø 2063 CP... PLUS
A	697	805
B	352	411
C		
D	375	459
G	365	414
H	314	353
I		383
J	213	264
L	140	190
M	176	198
N	348	397
P	288	342

Dimensions (mm) 1 inch = 25.4 mm
 Representative drawing of models 2033 CP... PLUS and 2063 CP... PLUS