



PROVAC

SALES

PHONE: 831-462-8900

FAX: 831-462-3536

WWW.PROVAC.COM

Welch 2014, 2034 Technical Specifications

Specifications	WELCH DryFast Pumps	
	2014	2034
Free Air Displacement		
cfm(l/min.) @60Hz	1.2(35)	0.9(25)
m ³ /hr(l/min.) @50Hz	1.75(29)	1.25(21)
Ult. Vac. Pressure, torr(mbar)	40(53)	9(12)
Maximum Vacuum, in. Hg	28.3	29.6
Motor Horsepower - HP(watts)	1/5(150)	1/5(150)
Adjustable Vac./Gas Ballast	Yes	Yes
Tubing Needed, I.D. in.(mm)	1/4(7)	1/4(7)
Intake(Exhaust) Thread NPT	M14(1/8)	M14(1/8)
Weight lbs.(kg)	15.0(6.8)	21.25(9.6)
Overall Dimensions	12x7.0x8.3	13.8x6.8x8.8
LxWxH in.(cm)	(30.5x 17.8x21.1)	(35.2x7.2x22.3)
Ship Weight, lbs.(kg)	19(8.6)	25(11.3)
Shipping Carton Dimensions	21x14x15	21x14x15
LxWxH in.(cm)	(52x35x37)	(52x35x37)



PROVAC

SALES

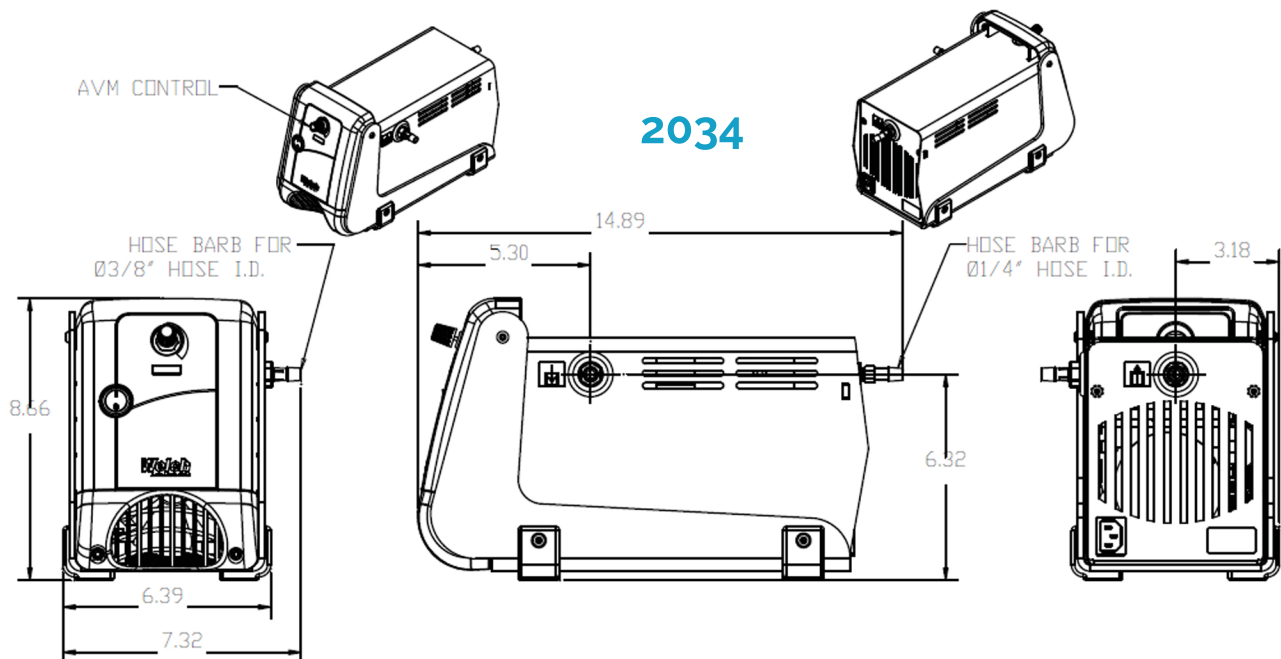
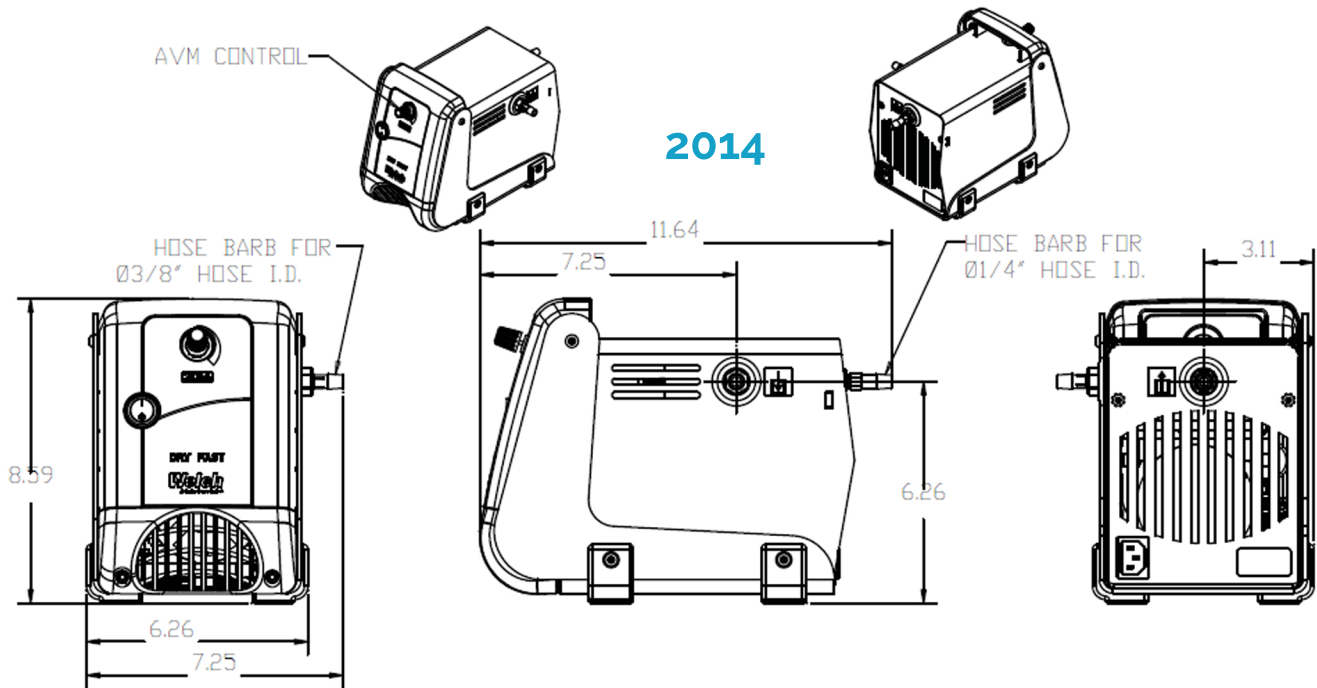
PHONE: 831-462-8900

FAX: 831-462-3536

WWW.PROVAC.COM

Welch 2014, 2034

Dimensions





PROVAC

SALES

PHONE: 831-462-8900

FAX: 831-462-3536

WWW.PROVAC.COM

Welch 2014, 2034

Features & Benefits

- chemical resistant, oil-free
- small, lightweight
- precision vacuum adjustment

Applications

- rotary evaporation • vacuum filtration • vacuum oven / desiccation
- aspiration / automation • gel dryer • centrifugal concentrators
- distillation • degassing • general laboratory vacuum

