



Alcatel 2005i, 2010i, 2015i, 2021i

Technical Specifications

		Units	2005I	2010I	2015I	2021I
Nominal pumping speed (*)	50Hz	m ³ /h	5.4	9.7	15	20.7
	60Hz	cfm	3.8	6.8	10.6	14.6
Pneurop pumping speed (*)	50Hz	m ³ /h	4.8	8.5	12.5	16.5
	60Hz	cfm	3.4	6	8.8	11.8
Ultimate partial pressure (*)		mbar	10 ⁻⁴	10 ⁻⁴	10 ⁻⁴	10 ⁻⁴
Ultimate total pressure (*) closed gas ballast		mbar	2.10 ³	2.10 ³	2.10 ³	2.10 ³
Ultimate total pressure (*) open gas ballast		mbar	10 ⁻²	10 ⁻²	10 ⁻²	10 ⁻²
Water vapor capacity	50/60Hz	g/h	120/110	125/100	110/100	90/90
Water vapor pressure	50/60Hz	mbar	35/25	20/15	12/10	7/7
Noise level (**)	50Hz	dB(A)	48	49	50	50
	60Hz	dB(A)	50	51	52	53
Weight		kg (lbs)	25 (55)	26 (57.2)	27 (59.4)	28 (61.6)
Dimensions		see page	22	22	22	22
Electrical motors		see page	6	6	6	6
Max nominal power rating	50/60Hz	kW	0.45/0.55	0.45/0.55	0.45/0.55	0.45/0.55
Min ambient temperature		°C (°F)	12 (54)	12 (54)	12 (54)	12 (54)
Max ambient temperature		°C (°F)	45 (113)	45 (113)	45 (113)	45 (113)
Oil capacity		l	0.83	0.95	0.95	0.98
Inlet flange		ISO-KF	DN 25	DN 25	DN 25	DN 25
Exhaust flange		ISO-KF	DN 25	DN 25	DN 25	DN 25





PROVAC

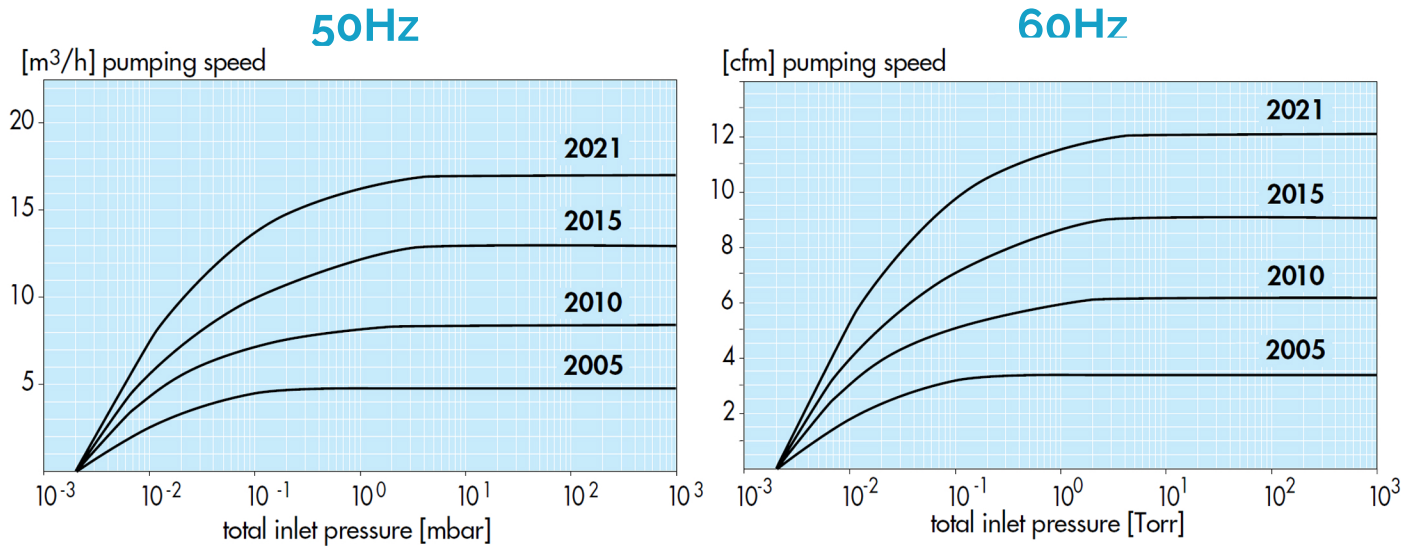
SALES

PHONE: 831-462-8900

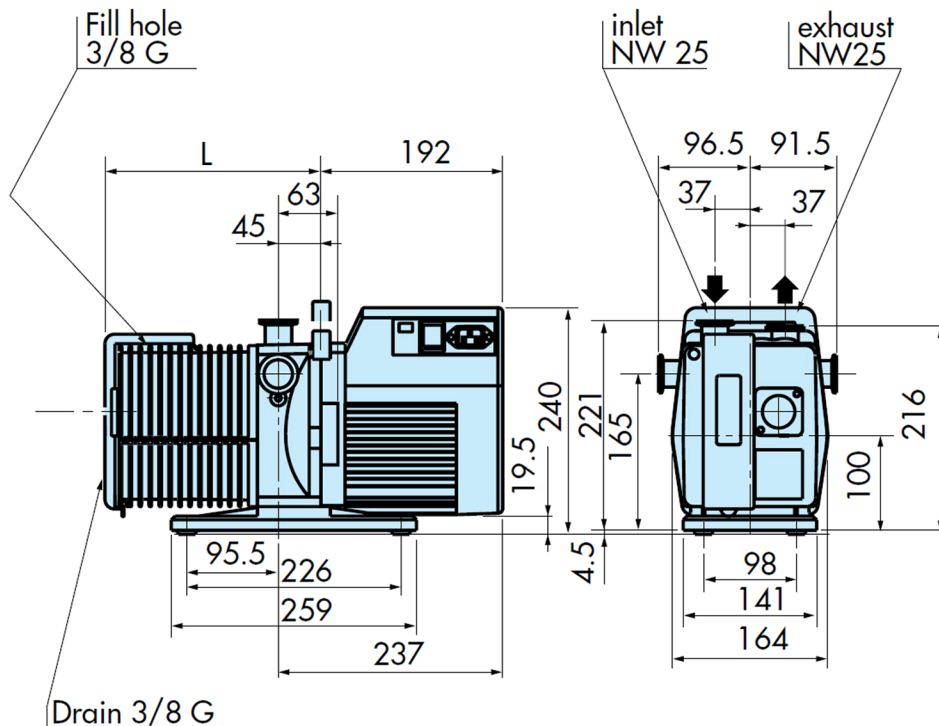
FAX: 831-462-3536

WWW.PROVAC.COM

Alcatel 2005i, 2010i, 2015i, 2021i Pumping Curves



Dimensions



Specific dimensions	
Model	L mm
2005	228
2010	245
2015	270
2021	291

*same dimensions for single and three-phase motors



PROVAC

SALES

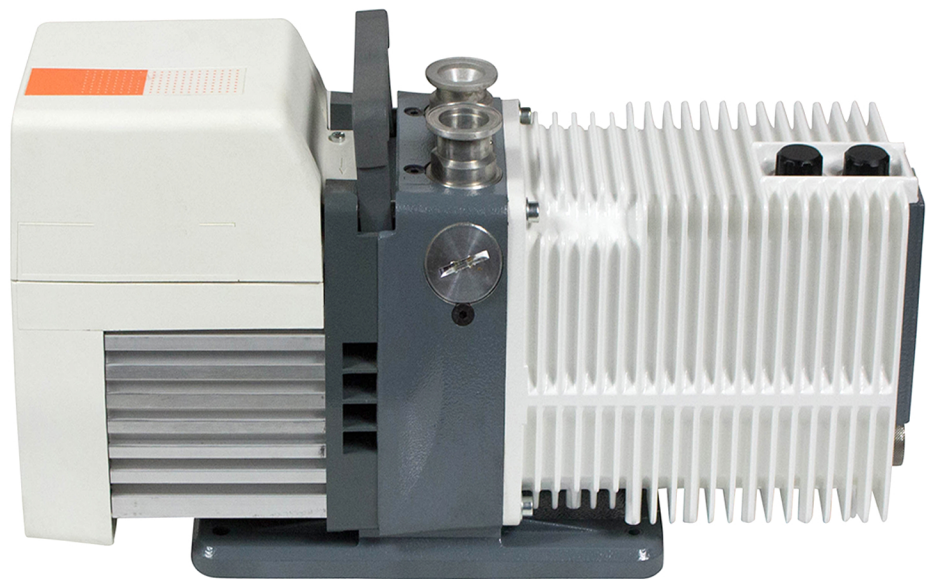
PHONE: 831-462-8900

FAX: 831-462-3536

WWW.PROVAC.COM

Alcatel 2005i, 2010i, 2015i, 2021i Features & Benefits

- anti-suckback provides vacuum integrity
- compact design, optimized tightness
- universal single phase motor
- high performance
- low noise level



Applications

- gas analyzers • leak detection • mass spectrometers • electron microscopes • surface analyzers • sterilization • electron tubes
- lamps • TV tubes • refrigeration • air conditioning • drying • load lock • distillation • metallurgy • freeze drying • cryogenics