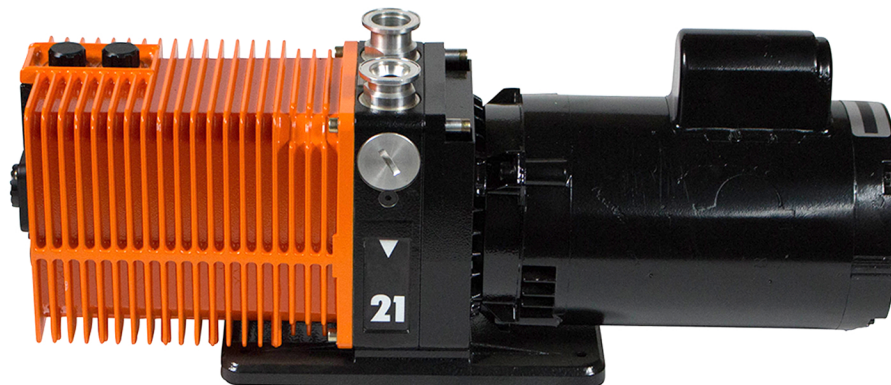




Alcatel 2005, 2010, 2015, 2021

Technical Specifications

Characteristics	Unit	2005		2010		2015		2021	
Frequency	Hz	50	60	50	60	50	60	50	60
Number of stages		2		2		2		2	
Rotation speed	tr/mn	1500	1800	1500	1800	1500	1800	1500	1800
Pumping speed	m ³ /h	5	6	9	10,5	14	16,5	18	22
Max. Gas throughput	hPa · l/s	1350	1547	2722	3263	4222	5063	5833	6977
Partial ultimate pressure ⁽¹⁾	Torr/hPa	7.5 · 10⁻⁴ / 1 · 10⁻⁴							
Ultimate pressure with gas ballast closed ⁽²⁾	Torr/hPa	3.75 · 10⁻⁴ / 5 · 10⁻⁴				3.75 · 10⁻⁴ / 5 · 10⁻⁴			
Ultimate pressure with gas ballast open ⁽²⁾	Torr/hPa	7.5 · 10⁻³ / 1 · 10⁻²							
Maximum pressure at inlet in continuous operation									
• without oil recovery	Torr/hPa	< 8 / 10							
• with oil recovery	Torr/hPa	< 75 / 100							
Maximum exhaust relative overpressure	hPa	500							
Pump tightness	hPa · l/s	< 5 · 10⁻⁶							
Oil capacity	l	0.83		0.95		0.95		0.98	
Maximum water vapour pumping capacity ^{(1) (3)}	hPa	35	25	20	15	12	10	7	7
Water vapour pumping capacity	g/h	120	110	125	100	110	100	90	90
Emission sound pressure level without Gas Ballast ⁽⁴⁾	dB (A)	< 55	< 55	< 55	< 55	< 55	< 56	< 55	< 56
Weight (pump + motor) ⁽⁵⁾	kg (lbs)	25 (55)		26 (57)		27 (59.5)		28 (62)	
Inlet and exhaust end fittings		DN 25 ISO-KF							





PROVAC

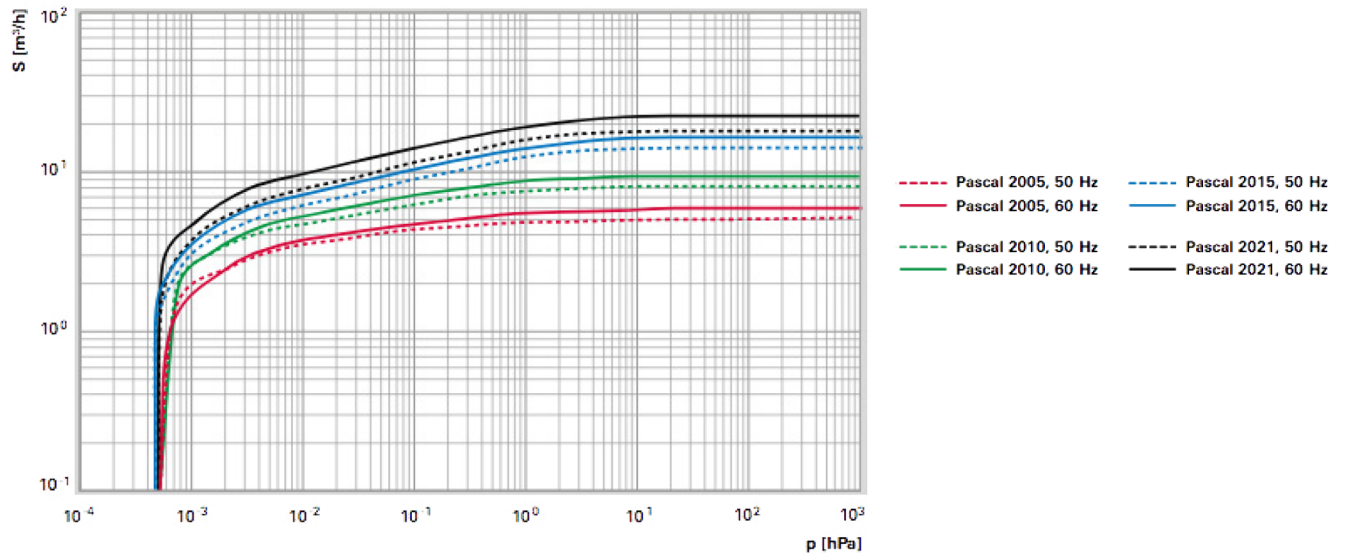
SALES

PHONE: 831-462-8900

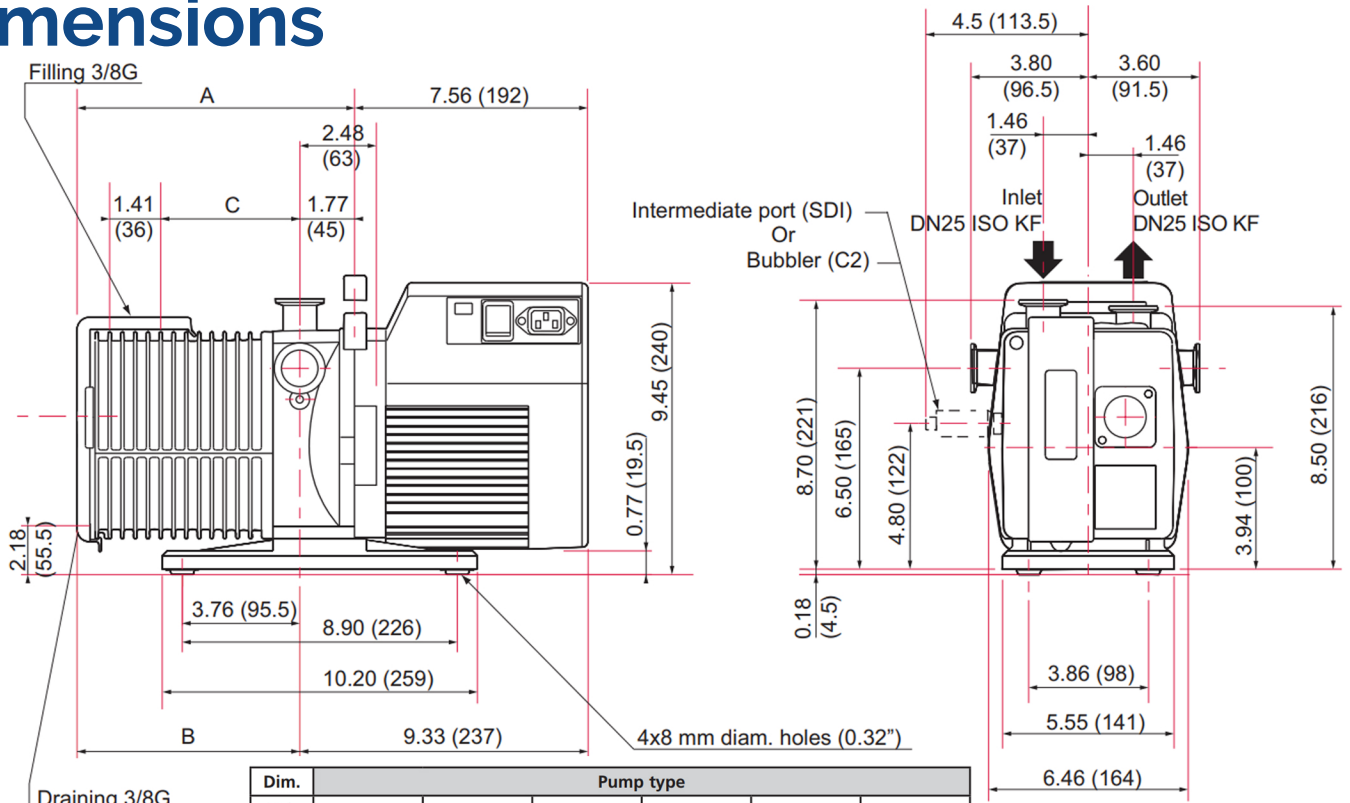
FAX: 831-462-3536

WWW.PROVAC.COM

Alcatel 2005, 2010, 2015, 2021 Pumping Curves



Dimensions



Dim.	Pump type					
	1005	2005	1015	2010	2015	2021
inch (mm)						
A	9 (228)		9.6 (245)		10.6 (270)	11.5 (291)
B	7 (183)		8 (204)		8.9 (225)	9.7 (246)
C	4.55 (115.5)	4.55 (115.5)	6.2 (157.5)	5.4 (136.5)	6.2 (157.5)	7.03 (178.5)



PROVAC

SALES

PHONE: 831-462-8900

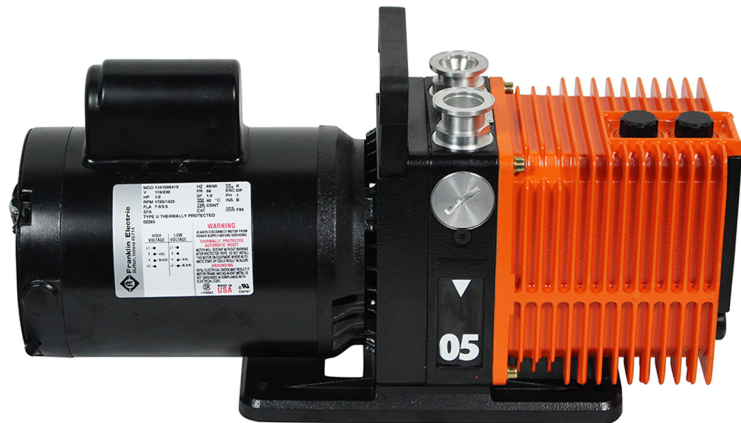
FAX: 831-462-3536

WWW.PROVAC.COM

Alcatel 2005, 2010, 2015, 2021

Features & Benefits

- low weight & compact design ideal for portable applications
- universal motor
- low noise level
- high performance
- optimized tightness
- easy to use



Applications

- electron microscopy • residual gas analysis • hard disk coating • wear protection • CD, DVD, Blu-ray production • optical coatings • space simulation • vacuum drying • medical applications

