



PROVAC

SALES

PHONE: 831-462-8900

FAX: 831-462-3536

WWW.PROVAC.COM

Alcatel 2005C1, 2010C1, 2015C1, 2021C1, 2033C1, 2063C1

Technical Specifications

			Units	2005C1	2010C1	2015C1	2021C1	2033C1	2063C1
Nominal pumping	50Hz	speed (*)	m ³ /h	5.4	9.7	15	20.7	30	60
	60Hz		cfm	3.8	6.8	10.6	14.6	23.3	42.4
Pneurop pumping	50Hz		m ³ /h	4.8	8.5	12.5	16.5	27	55
	60Hz	speed (*)	cfm	3.4	6	8.8	11.8	18.8	38
Ultimate partial pressure (*)			mbar	10 ⁻⁴	10 ⁻⁴	10 ⁻⁴	10 ⁻⁴	3.10 ⁻⁴	3.10 ⁻⁴
Ultimate total pressure (*) closed gas ballast			mbar	2.10 ⁻³	2.10 ⁻³	2.10 ⁻³	2.10 ⁻³	3.10 ⁻³	3.10 ⁻³
Ultimate total pressure (*) open gas ballast			mbar	10 ²	10 ²	10 ²	10 ²	2.10 ²	2.10 ²
Water vapor capacity	50/60Hz		g/h	120/110	125/100	110/100	90/90	700	1200
Water vapor pressure	50/60Hz		mbar	35/25	20/15	12/10	7/7	30	25
Weight (max)			kg (lbs)	25 (55)	26 (57.2)	27 (59.4)	28 (61.6)	74 (163)	98 (216)
Dimensions			see page	22	22	22	22	23	23
Electrical motors			see page	6	6	6	6	28	28
Max nominal power rating	50/60Hz		kW	0.45/0.55	0.45/0.55	0.45/0.55	0.45/0.55	1.1/1.3	2.2/2.6
Min ambient temperature			°C (°F)	12 (54)	12 (54)	12 (54)	12 (54)	12 (54)	12 (54)
Max ambient temperature			°C (°F)	45 (113)	45 (113)	45 (113)	45 (113)	45 (113)	45 (113)
Oil capacity			l	0.83	0.95	0.95	0.98	3.6	7
Inlet flange			ISO-KF	DN 25	DN 25	DN 25	DN 25	DN 40	DN 40
Exhaust flange			ISO-KF	DN 25	DN 25	DN 25	DN 25	DN 40	DN 40

(*) : according to Pneurop specifications ; with ALCATEL mineral oil.





PROVAC

SALES

PHONE: 831-462-8900

FAX: 831-462-3536

WWW.PROVAC.COM

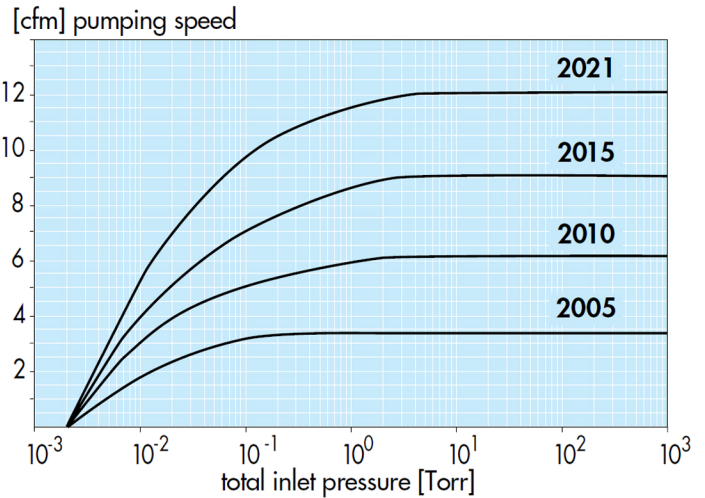
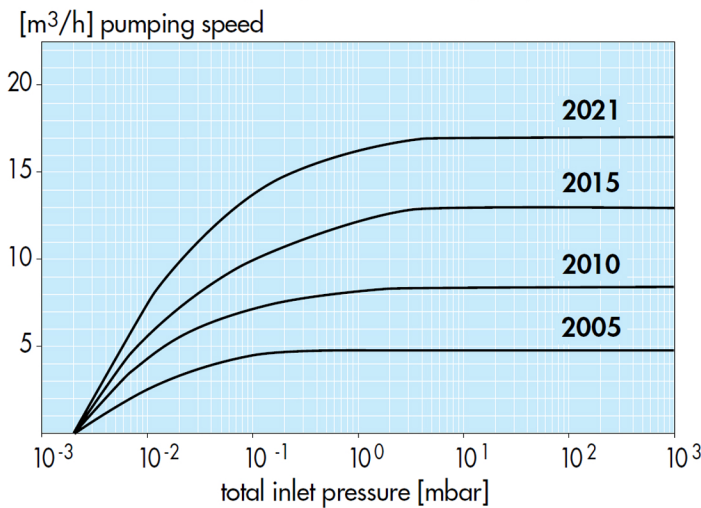
Alcatel 2005C1, 2010C1, 2015C1, 2021C1, 2033C1, 2063C1 Pumping Curves

50Hz

60Hz

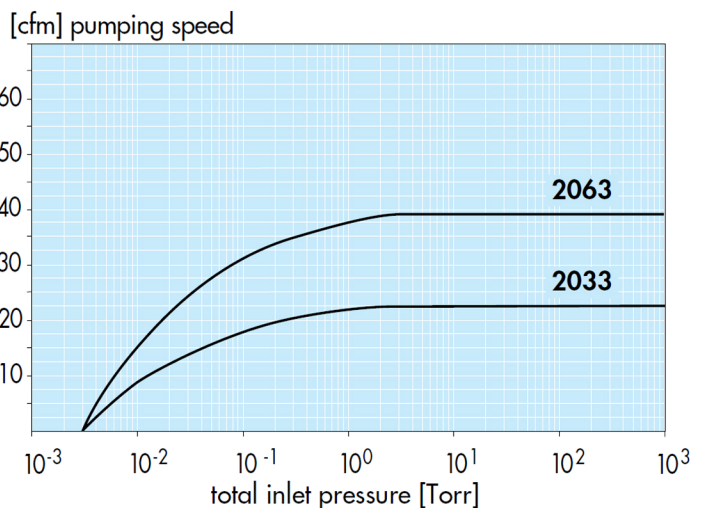
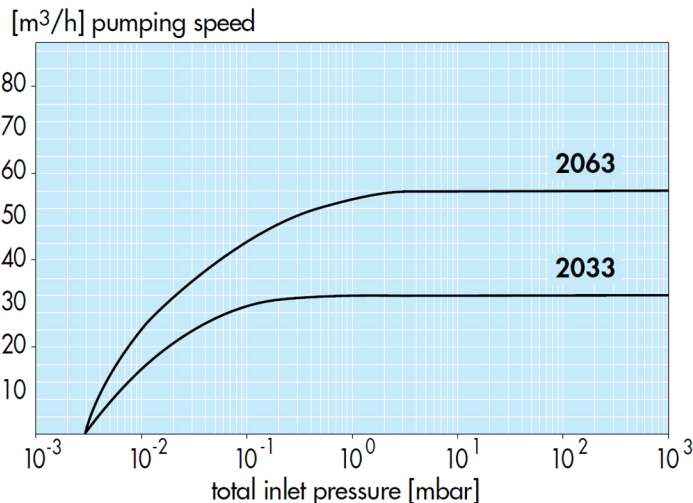
2005I/C1 - 2010I/C1/C2
2015I/C1/C2 - 2021I/C1/C2

2005I/C1 - 2010I/C1/C2
2015I/C1/C2 - 2021I/C1/C2



2033SD/C1/C2/H1
2063SD/C1/C2/H1

2033SD/C1/C2/H1
2063SD/C1/C2/H1





PROVAC

SALES

PHONE: 831-462-8900

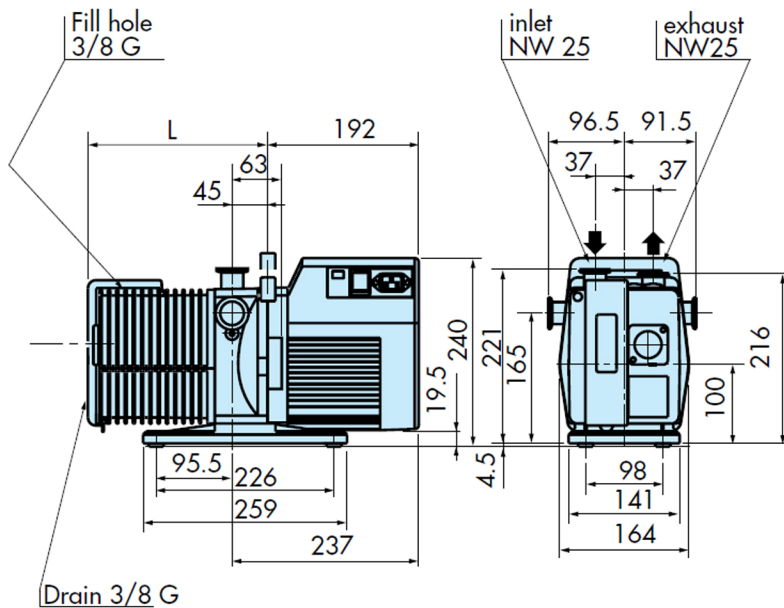
FAX: 831-462-3536

WWW.PROVAC.COM

Alcatel 2005C1, 2010C1, 2015C1, 2021C1, 2033C1, 2063C1

Dimensions

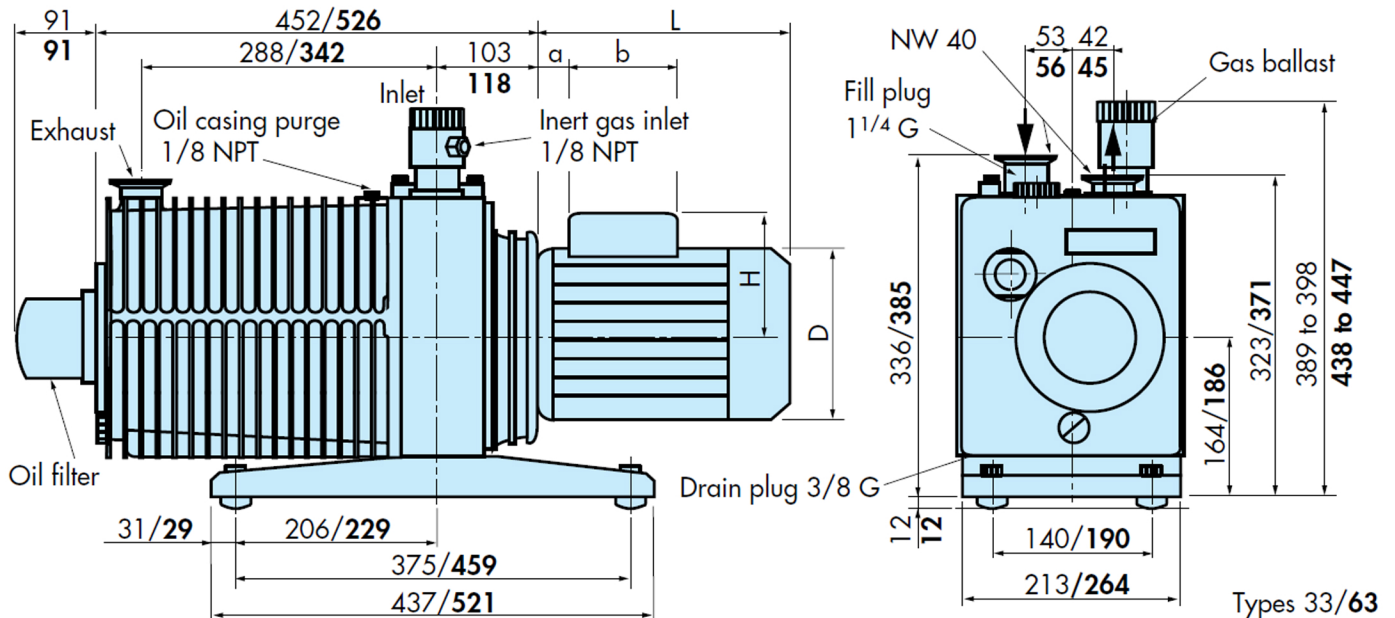
2005C1, 2010C1, 2015C1, 2021C1



Specific dimensions	
Model	L mm
2005	228
2010	245
2015	270
2021	291

*same dimensions for single and three-phase motors

2033C1, 2063C1





PROVAC

SALES

PHONE: 831-462-8900

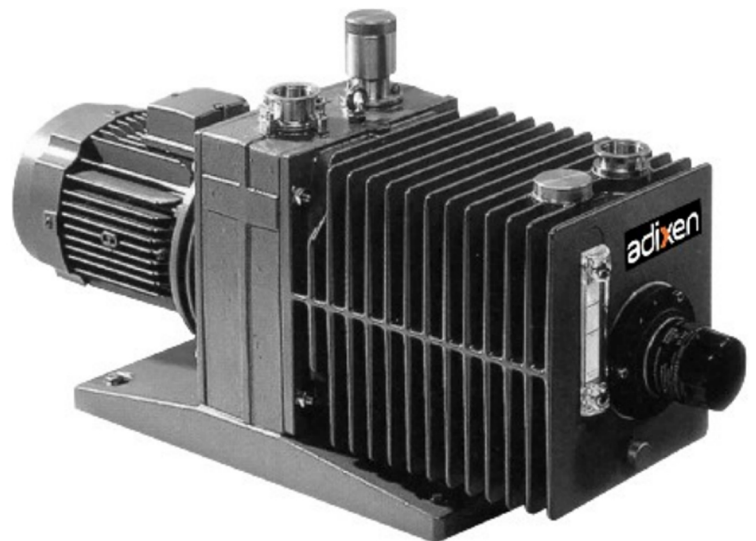
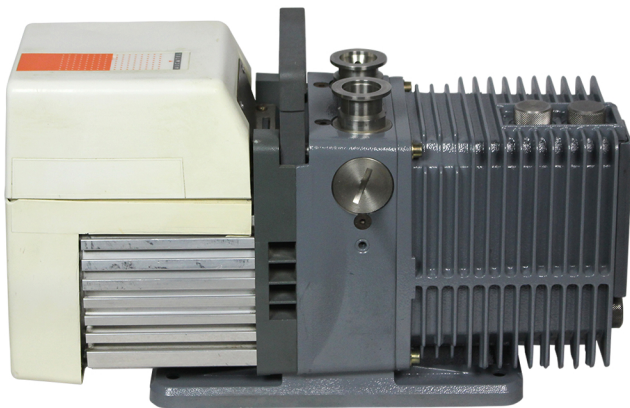
FAX: 831-462-3536

WWW.PROVAC.COM

Alcatel 2005C1, 2010C1, 2015C1, 2021C1, 2033C1, 2063C1

Features & Benefits

- designed for pumping corrosive & aggressive gases
- free of sensitive materials
- reliable operation in aggressive conditions
- made of stainless steel, gray cast iron & aluminum
- chromium oxide coating on bearing surfaces
- high strength oil sight glass
- anti-suckback provides vacuum integrity
- efficient gas ballast



Applications

- sterilization • drying • distillation • freeze drying • CVD • LPCVD
- load lock • research & development • chemical industry