



Alcatel 2004A, 2008A, 2012A, 2020A

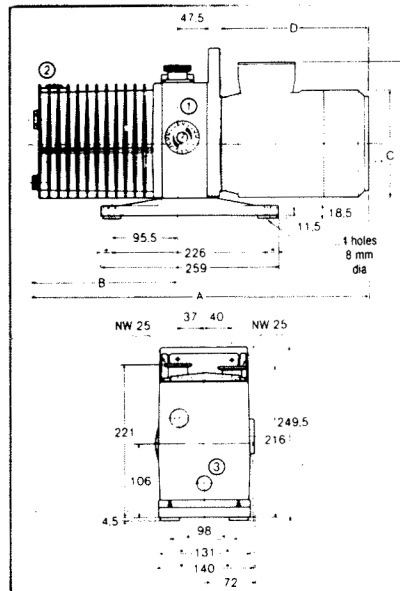
Technical Specifications

50 Hz				60 Hz						
2004 A	2008 A	2012 A	2020 A			2004 A	2008 A	2012 A	2020 A	
4.5	10	15	22.4	m ³ /h	Nominal pumping speed	3.2	7	11	16	
75	170	250	375	l/mn		Free air displacement	90	195	310	450
2	2	2	2	Stages		2	2	2	2	
< 1 × 10 ⁻⁴	< 1 × 10 ⁻⁴	< 1 × 10 ⁻⁴	< 1 × 10 ⁻⁴	mbar	Ultimate vacuum*	mbar	< 1 × 10 ⁻⁴	< 1 × 10 ⁻⁴	< 1 × 10 ⁻⁴	< 1 × 10 ⁻⁴
50	100	150	220	g/h	Water vapor capacity**	grams/hr	50	100	150	220
0.75	1	0.8	0.8	l	Oil capacity	qt	0.75	1	0.85	0.85
0.37	0.37	0.37	0.5	kW	Motor rating	hp	1/2	1/2	3/4	3/4
1500	1500	1500	1500	rpm	Rotational speed	rpm	1800	1800	1800	1800
220 V/50 Hz		220 V 50 Hz		1 ph	Electrical rating	1 Ø	115-230 V/60 Hz		115-230 V/60 Hz	
220-380 V/50 Hz		220-380 V 50 Hz		3 ph		3 Ø	230-460 V/60 Hz		230-460 V/60 Hz	
25	25	25	25	NW	Inlet/Exhaust flanges (Pneurop)	NW	25	25	25	25
24.5/18	25.5/19	26.5/20	28.3/26.7	kg	(1 Ph/3 Ph) Weight (1 Ø/3 Ø)	lbs	48/41	51/44	57/50	61/54
53.8/39.6	56/41.7	58.2/44	62.2/58.7	lbs		kg	21.8/18.6	23.2/20	25.9/22.7	27.7/24.6

* Partial pressure measurement according to PNEUROP specifications

** Water vapor at 30°C

	2004 A		2008 A		2012 A		2020 A	
	1 Ø	3 Ø	1 Ø	3 Ø	1 Ø	3 Ø	1 Ø	3 Ø
A	492	472	533	503	552	532	578	558
B	170	170	212	212	212	212	235	235
C	158	158	158	158	158	158	158	158
D	254	222	254	222	271	244	271	244



	2004 A		2008 A		2012 A		2020 A	
	1 Ø	3 Ø	1 Ø	3 Ø	1 Ø	3 Ø	1 Ø	3 Ø
A	19.4	18.6	21	19.82	21.80	20.96	22.77	22
B	6.56	6.56	8.25	8.25	8.25	8.25	9.25	9.25
C	6.2	6.2	6.2	6.2	6.2	6.2	6.2	6.2
D	10.0	8.75	10.0	8.75	10.69	9.63	10.69	9.63



PROVAC

SALES

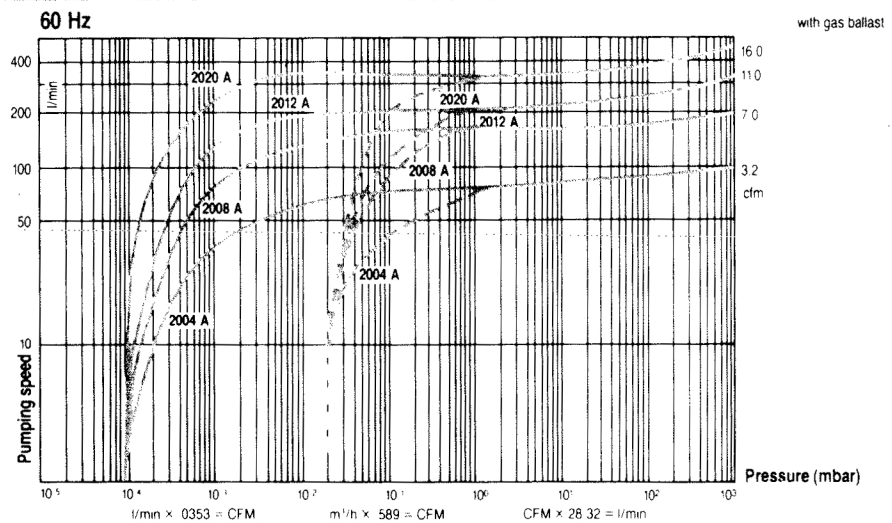
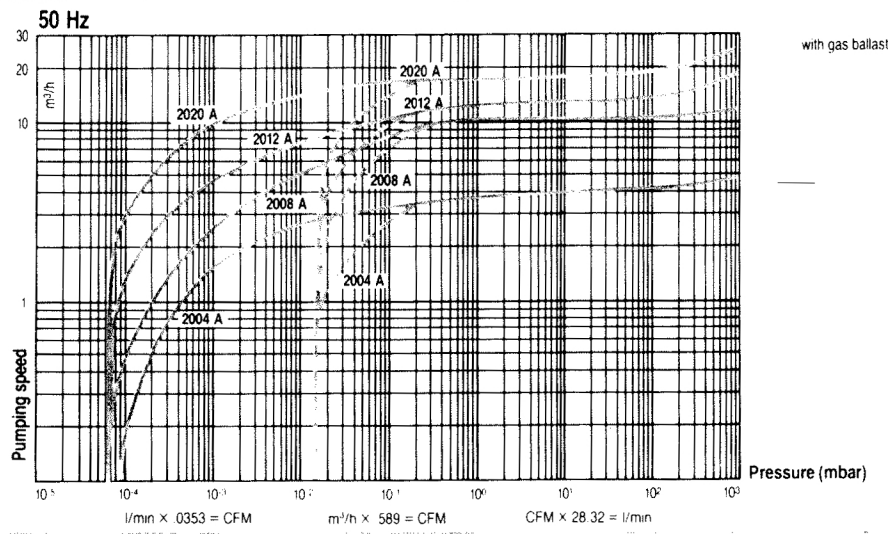
PHONE: 831-462-8900

FAX: 831-462-3536

WWW.PROVAC.COM

Alcatel 2004A, 2008A, 2012A, 2020A

Pumping Curves





PROVAC

SALES

PHONE: 831-462-8900

FAX: 831-462-3536

WWW.PROVAC.COM

Alcatel 2004A, 2008A, 2012A, 2020A

Features & Benefits

- compact for easy installation
- low noise level (.55dbA at 1 m)
- air-cooled for increased mobility
- easy to move with integrated handle
- shock mounts for vibration free operation
- light-weight for universal applications