



PROVAC

SALES

PHONE: 831-462-8900

FAX: 831-462-3536

WWW.PROVAC.COM

Alcatel 2002i

Technical Specifications

		Units	2002I
Nominal pumping speed (*)	50Hz	m ³ /h	2
	60Hz	cfm	1.4
Pneurop pumping speed (*)	50Hz	m ³ /h	1.6
	60Hz	cfm	1.1
Ultimate total pressure (*) closed gas ballast		mbar	3.10 ⁻³
Ultimate total pressure (*) open gas ballast		mbar	3.10 ⁻²
Water vapor capacity	50/60Hz	g/h	36/35
Water vapor pressure	50/60Hz	mbar	30/30
Noise level (**)	50Hz	dBA	50
	60Hz	dBA	54
Weight (max)		kg (lbs)	12 (26.4)
Dimensions		see page	25
Electrical motors		see page	29
Max nominal power rating	50/60Hz	W	190/230
Min ambient temperature		°C (°F)	12 (54)
Max ambient temperature		°C (°F)	35 (95)
Oil capacity		l	0.35
Inlet flange		ISO-KF	DN 16
Exhaust port		mm	Ø 10

(*): according to Pneurop specifications; with ALCATEL mineral oil.

(**): typical values, according to Pneurop specifications.



PROVAC

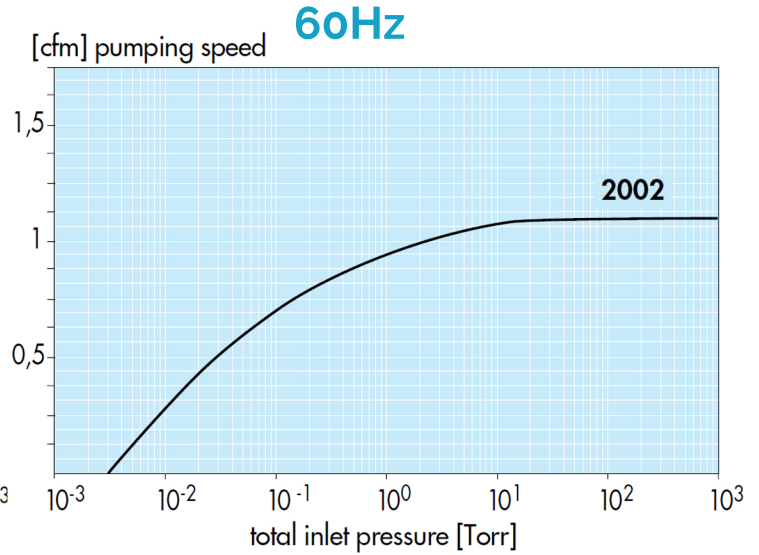
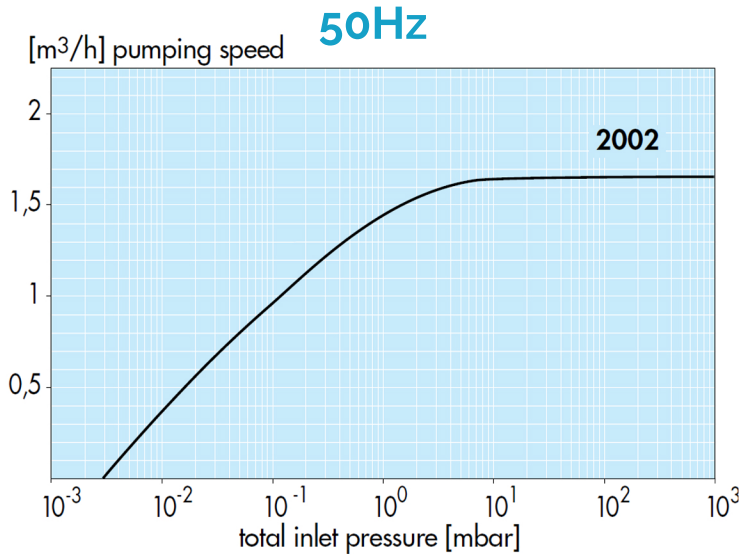
SALES

PHONE: 831-462-8900

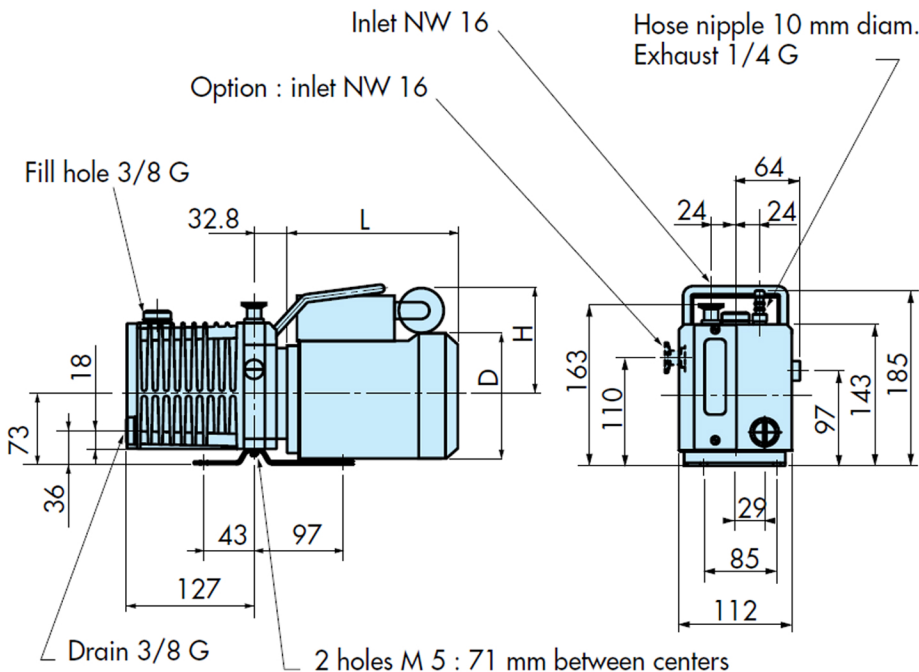
FAX: 831-462-3536

WWW.PROVAC.COM

Alcatel 2002i Pumping Curves



Dimensions



Specific dimensions according to different motors			
P/N	Lmm	Dmm	Hmm
785830	164	136	93
785829	164	136	96
785800	190	136	102
785801	186	136	95
UM2002	195	138	108



PROVAC

SALES

PHONE: 831-462-8900

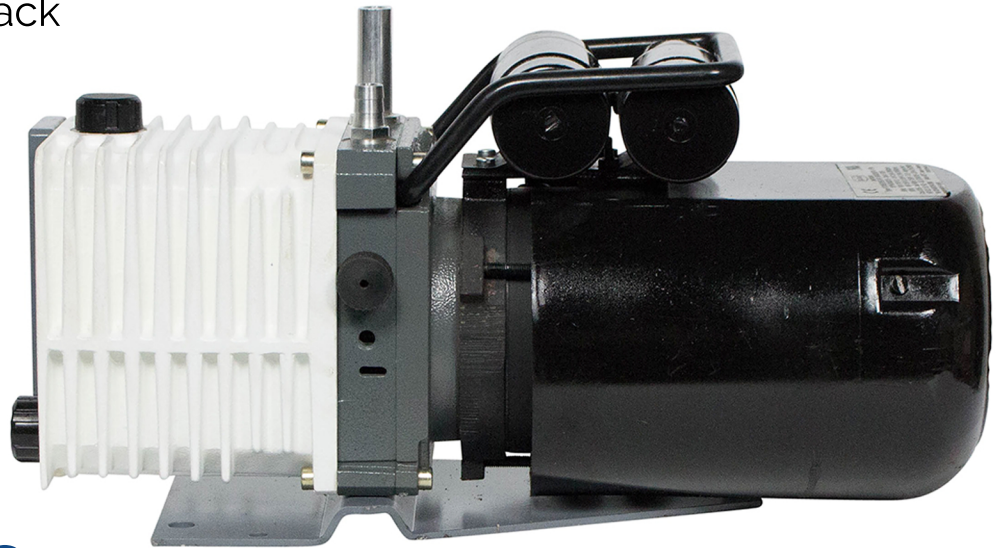
FAX: 831-462-3536

WWW.PROVAC.COM

Alcatel 2002i

Features & Benefits

- designed for integration into portable/compact systems
- high performance for small dimensions
- built-in anti-suckback
- forced lubrication
- gas ballast valve
- lightweight
- low noise level



Applications

- gas analyzers • leak detection • mass spectrometers • electron microscopes • surface analyzers • sterilization • electron tubes
- lamps • TV tubes • refrigeration • air conditioning • drying • load lock • distillation • metallurgy • freeze drying • cryogenics