



# Alcatel 2002BB

## Technical Specifications

50 Hz				60 Hz	
2	$m^{-3}.h^{-1}$	Nominal pumping speed	cfm	1.4	
33	l/mn	Nominal pumping speed	l/mn	40	
2		Stages		2	
$3.10^{-3}$	mbar	Ultimate vacuum*	mbar	$3.10^{-3}$	
30	mbar	Maximum inlet pressure for water vapor	mbar	30	
36	g/h	Water vapor capacity**	g/h	44	
0,35	l	Oil capacity	qt	0.37	
100	W	Motor rating	hp	1/4	
3000	rpm	Rotational speed	rpm	3600	
220 V	1ph	Electrical rating	1 Ø	115 V	
16	NW	Inlet flange	NW	16	
10	mm	Exhaust tube	mm	10	
9.5	kg	Weight***	lbs	20.9	

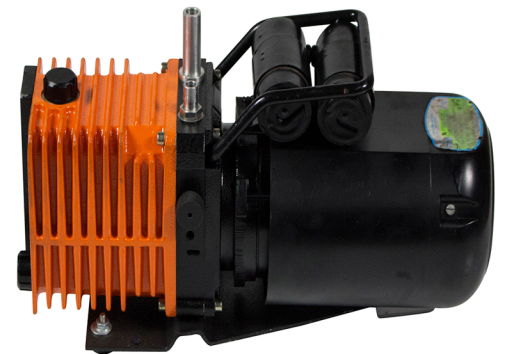
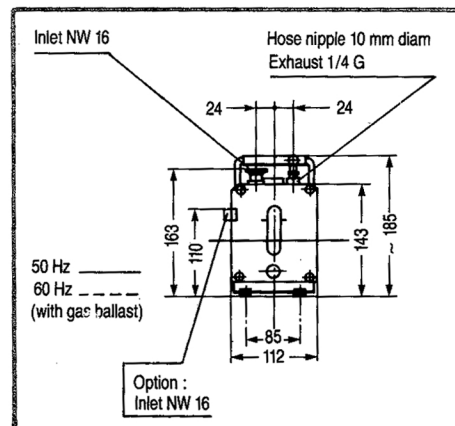
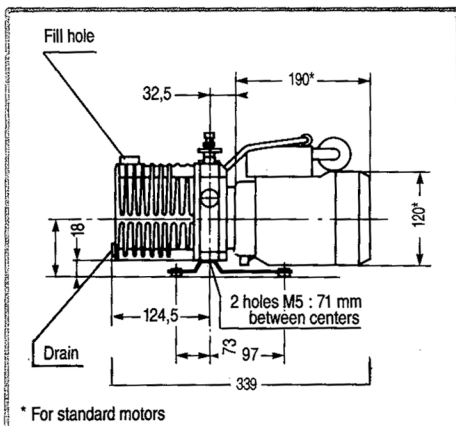
\* Partial pressure measurement according to PNEUROP specifications

\*\* Water vapor at 30 °C.

\*\*\* Varies with type of motor.

Dimensions (mm) 1 inch = 25.4 mm

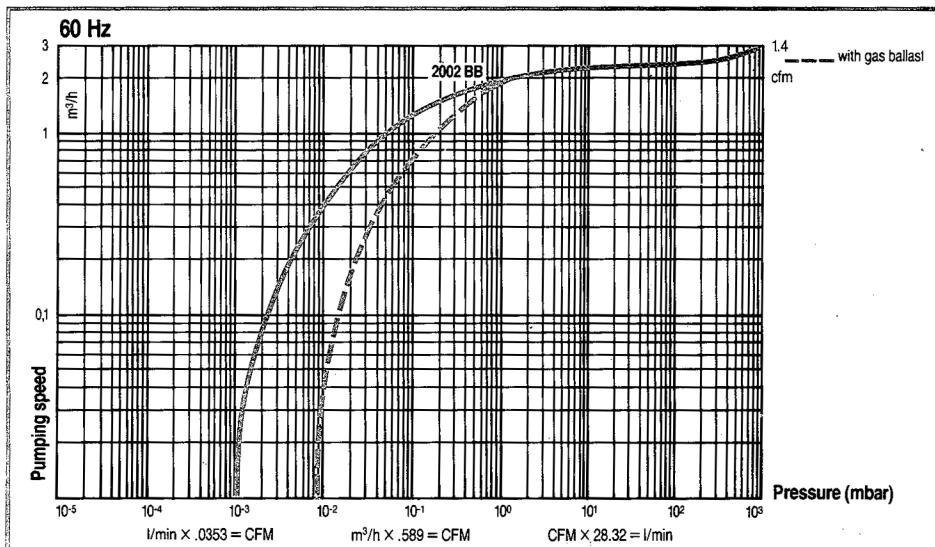
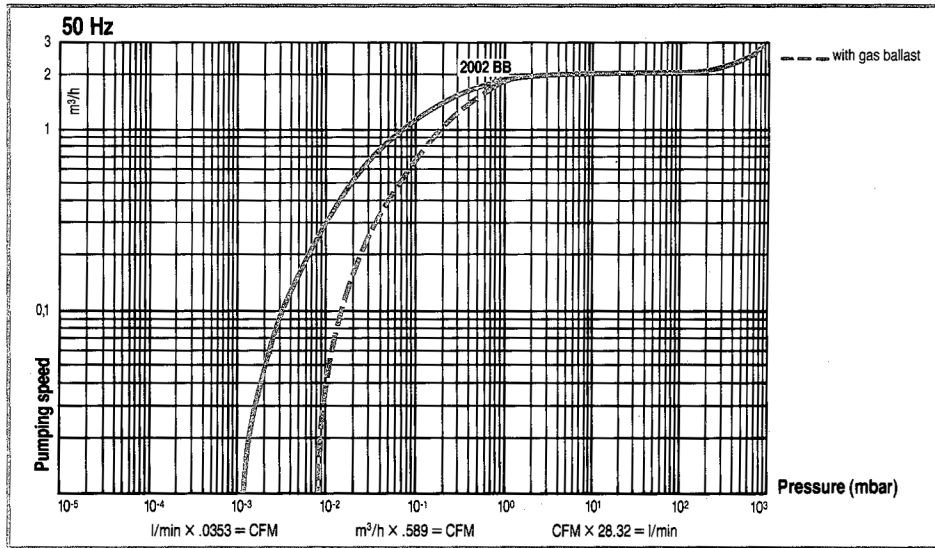
Thread diameter (inlet/exhaust : 1/4" G)





# Alcatel 2002BB

## Pumping Curves



### Pumping speed

The graph on the right shows the pumping speeds at 50 or 60 Hz ( $1 \text{ cfm} = 1.7 \text{ m}^3 \cdot \text{h}^{-1}$ ).

- without gas ballast
- - - with gas ballast