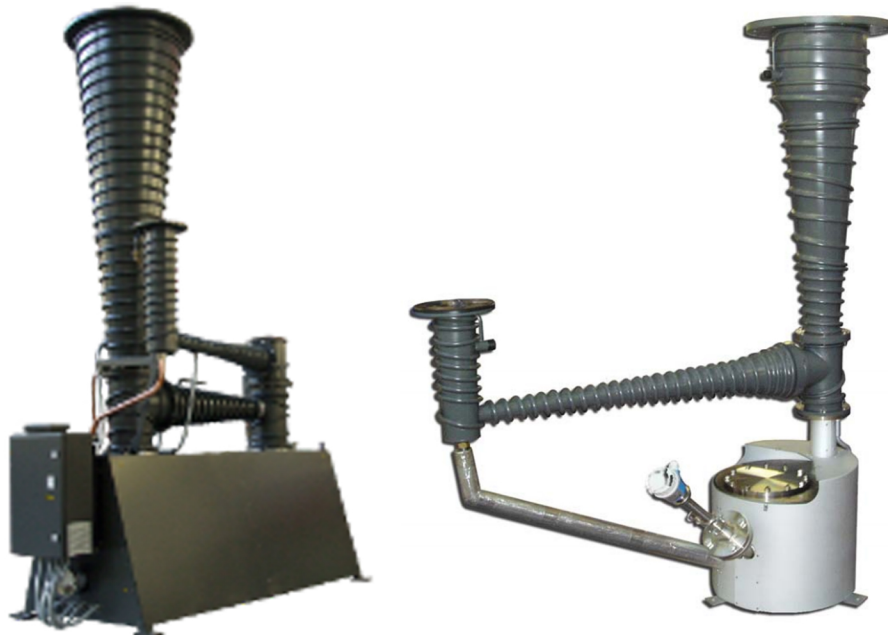




Edwards 18B4B, 30B5M

Technical Specifications

		18B4B	30B5M
AVS pumping speed			
Air	ls ⁻¹	4000	12500
Hydrogen	ls ⁻¹	6000	15000
Maximum throughput	mbar ls ⁻¹ /Torr ls ⁻¹	100/75	300/225
Critical backing pressure	mbar/Torr	2-2.6/1.5-2	5-3.6/4-4.5
Recommended backing pump	-	GXS450, E2M275	GXS450, E2M275
Recommended oil	-	Apiezon® AP201	
Fluid charge	litre/qt	10/9.5	55/52
Inlet connection	-	8 x 11 mm holes on 387.4 PCD (Edwards)/ANSI 12 inch/ISO320	12 x 20.60 mm holes on 686.0 PCD
Backing connection	-	2-inch union (Edwards)/ANSI 4 inch/ ISO160	4 x 16.70 mm holes on 235.0 PCD
Water connection	inch BSP	1/2	1
Heater power	kW/hp	6.0/8	22.5/30
Warm-up time for full performance	min	60	
Minimum water flow inlet	-	375 lh ⁻¹ @ 25°C/ 1.65 US gal min ⁻¹ @ 25°C	1950 lh ⁻¹ @ 25°C/ 8.5 US gal min ⁻¹ @ 25°C
Water block threaded hole	inch BSP	½	-
Weight	kg/lbs	165/365	620/1367

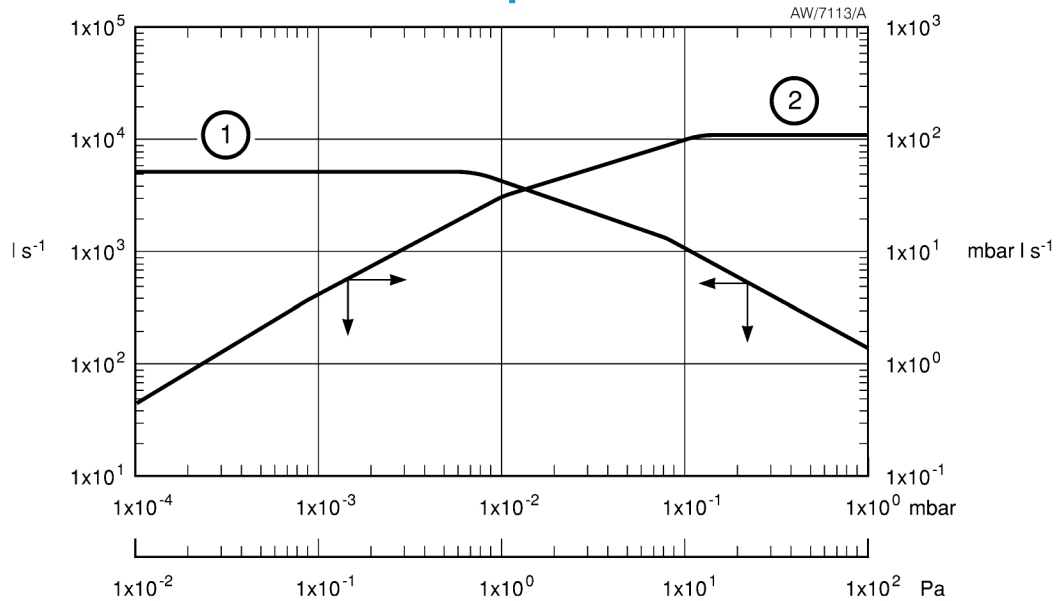




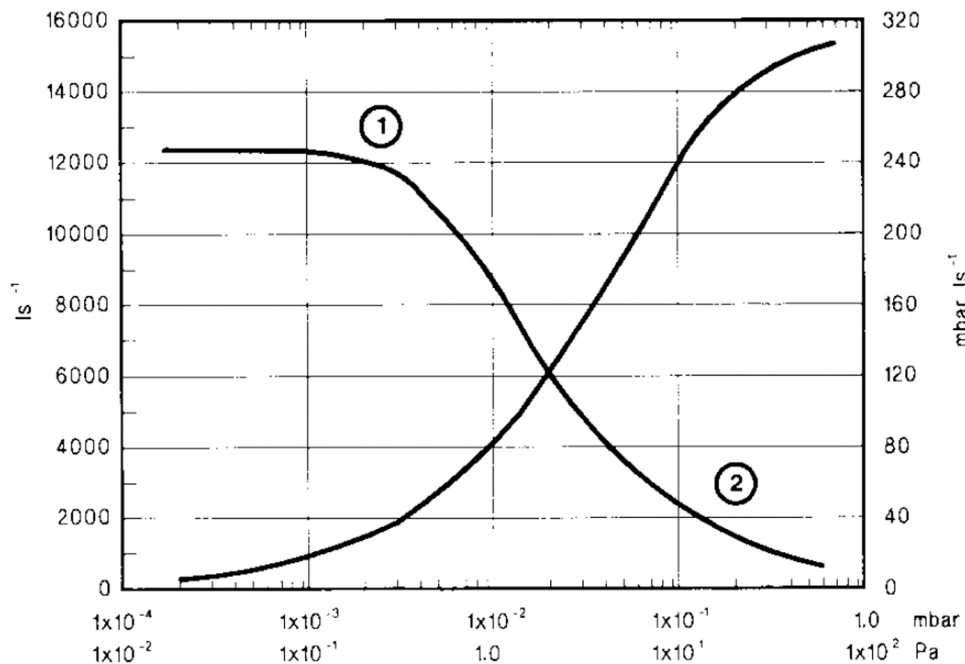
Edwards 18B4B, 30B5M Pumping Curves

1. Pumping speed (l s^{-1}) against inlet pressure (mbar/Pa) for nitrogen
2. Throughput (mbar l s^{-1}) against inlet pressure (mbar/Pa) for nitrogen

18B4B



30B5M





PROVAC

SALES

PHONE: 831-462-8900

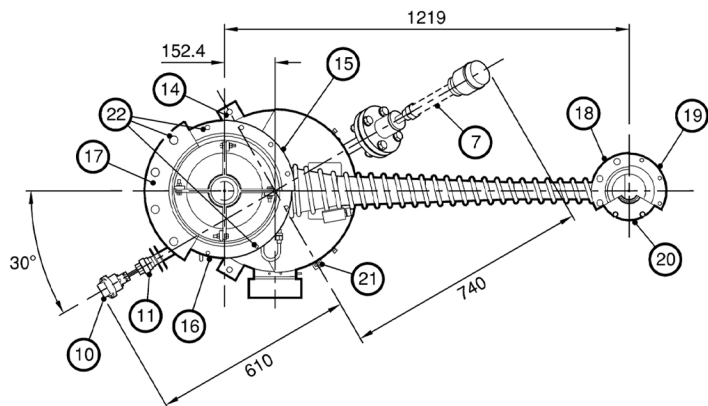
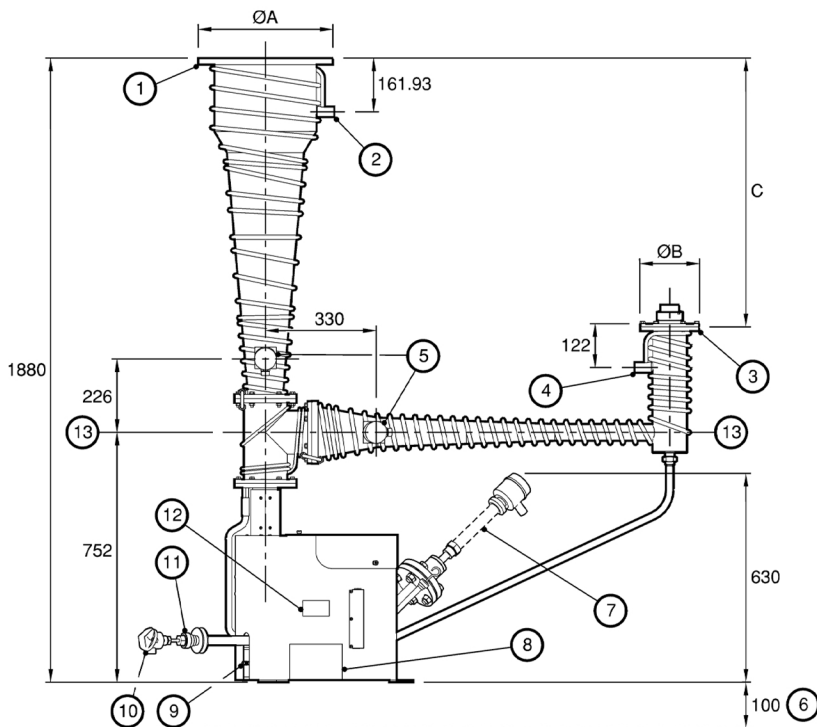
FAX: 831-462-3536

WWW.PROVAC.COM

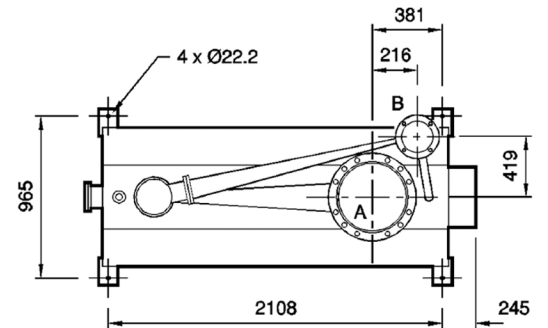
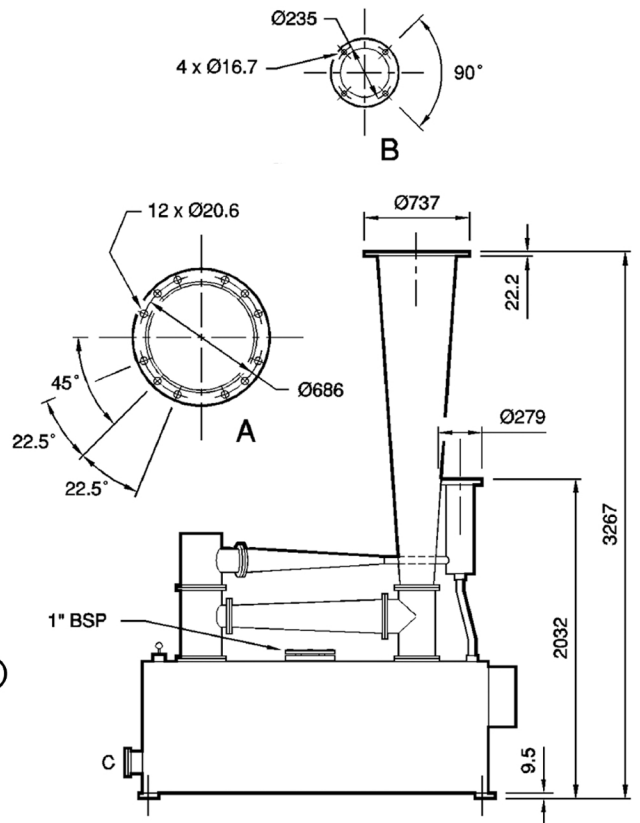
Edwards 18B4B, 30B5M

Dimensions

18B4B



30B5M





PROVAC

SALES

PHONE: 831-462-8900

FAX: 831-462-3536

WWW.PROVAC.COM

Edwards 18B4B, 30B5M

Features & Benefits

- very large pumping speed at high operating pressures
- very high throughput
- quick crossover for excellent pumpdown times
- boiler access at both ends for ease of cleaning
- most useful in pumping contaminated systems & high loads of hydrogen
- tolerance to various inlet & exhaust pressures
- excellent reliability

Applications

- vacuum metallurgy • distillation • drying & degassing • thin film coating & metallizing • large-scale research