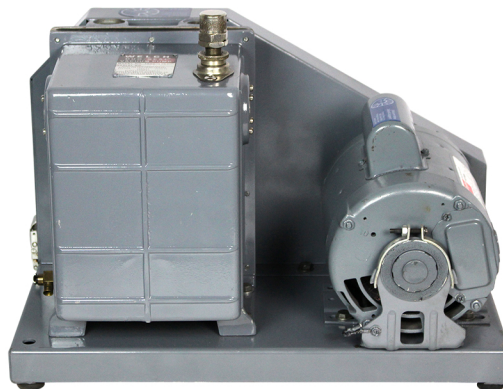




Welch 1400, 1402, 1405

Technical Specifications

Specifications	Two - Stage Vacuum Pumps		
Welch Model	1400	1405	1402
Free Air Displacement			
cfm	0.9	3.2	5.6
l/min.	25	90	160
Ult. Pressure, torr(mbar) ¹	1 x 10 ⁻⁴ (0.00013)	1 x 10 ⁻⁴ (0.00013)	1 x 10 ⁻⁴ (0.00013)
Gas Ballast	Yes	Yes	Yes
Pump RPM	580	525	525
Motor Horsepower (watts)	1/3(250)	1/2(370)	1/2(370)
Oil Capacity, qt.(liters)	0.62(0.59)	2.25(2.1)	2.25(2.1)
Tubing Needed, I.D. in.	7/16(11)	7/16(11)	13/16(21)
Intake, Nipple Thread	3/4-20	1-20	1-20
Exhaust, Thread Type	3/4-20	1-20	1-20
Weight, lbs. (kg)	58(26)	112(51)	112(51)
Overall Dimensions			
L in.(cm)	17.8(45.1)	20(51)	20(51)
W in.(cm)	9(22.9)	12(30.5)	12(30.5)
H in.(cm)	12.6(32.1)	15(38.1)	15(38.1)
Ship Weight, lbs.(kg)	70(31.8)	132(60)	132(60)
Shipping Carton Dimensions			
LxWxH in.(cm)	20.5x13.8x14.5 (52.1x35.1x36.8)	22.5x15.5x19.5 (57.2x39.4x49.5)	22.5x15.5x19.5 (57.2x39.4x49.5)





PROVAC

SALES

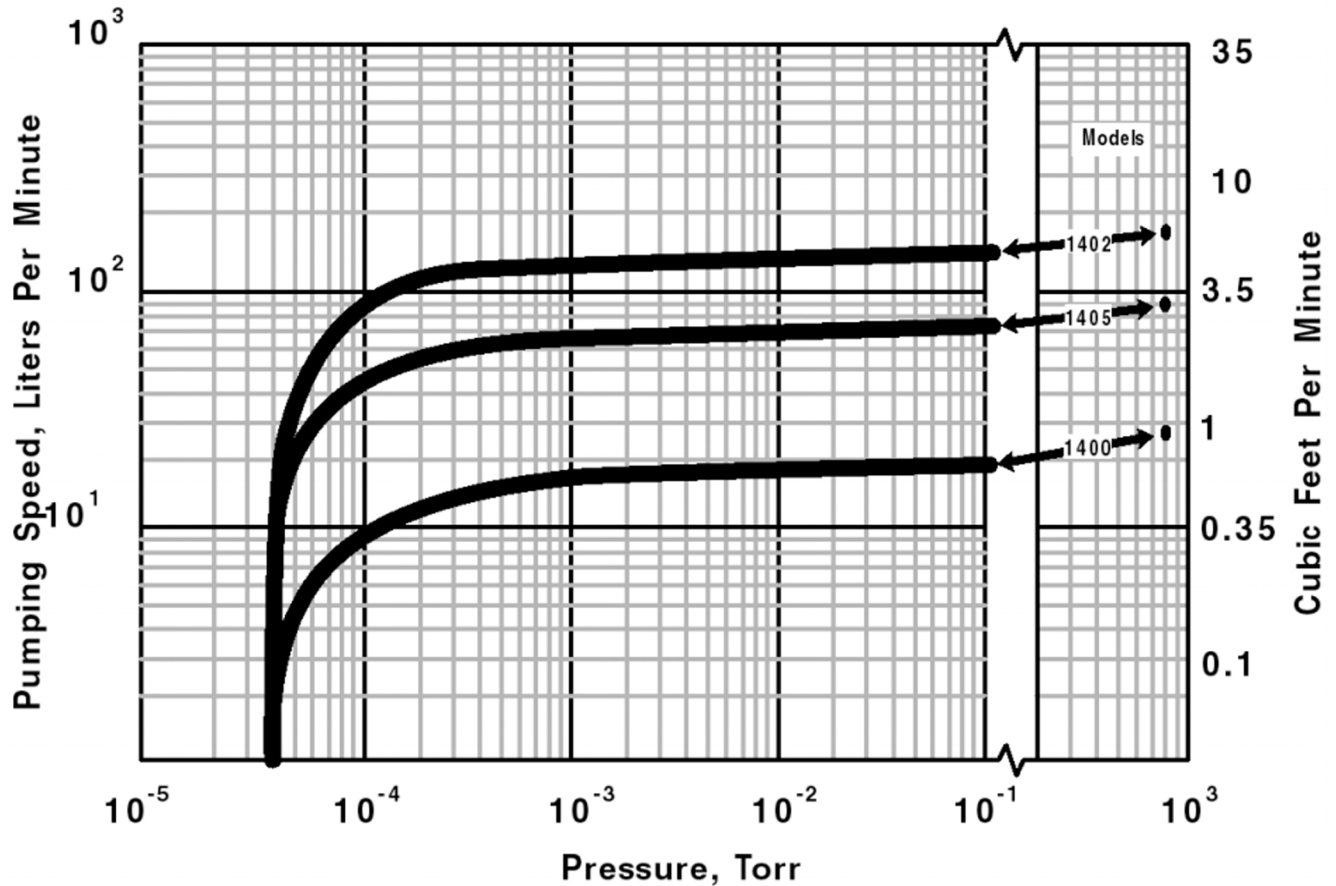
PHONE: 831-462-8900

FAX: 831-462-3536

WWW.PROVAC.COM

Welch 1400, 1402, 1405

Pumping Curves



Applications

- vacuum ovens • glove boxes • general laboratory vacuum • distillation
- freeze drying • refrigeration servicing • degassing • distillation
- concentration • vacuum drying



PROVAC

SALES

PHONE: 831-462-8900

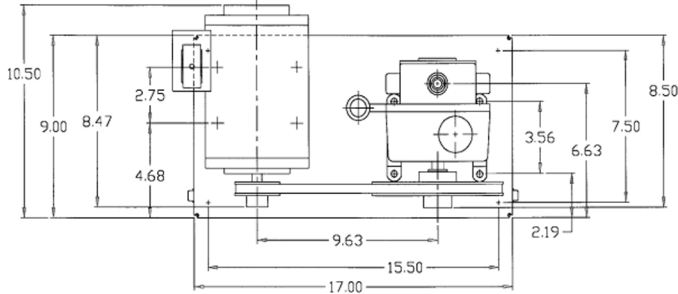
FAX: 831-462-3536

WWW.PROVAC.COM

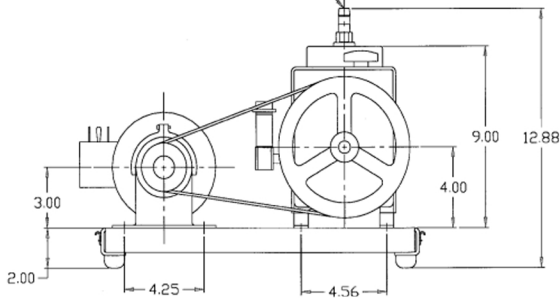
Welch 1400, 1402, 1405

Dimensions

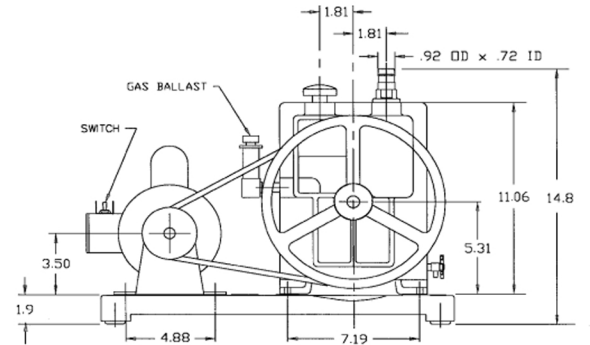
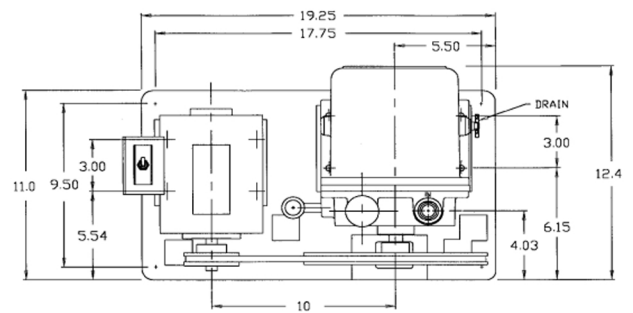
1400B-01



7/16" HOSE ADAPTER



1402B-01



1405B-01

