

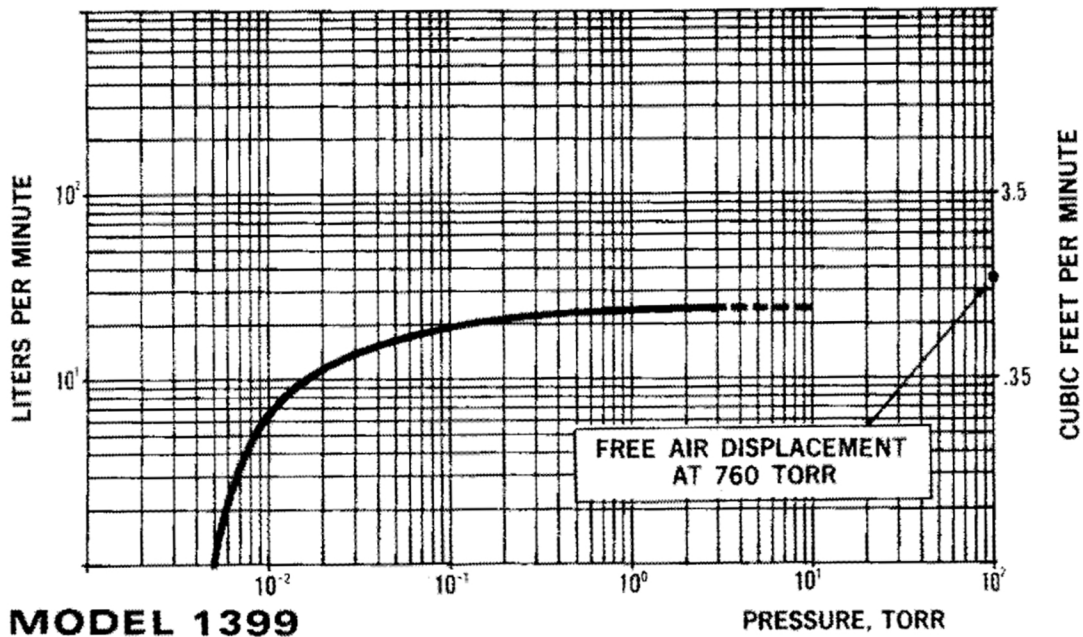


Welch 1399

Technical Specifications

Free-Air Displacement, L/M	35
CFM	1.2
Guaranteed Partial Pressure	
Blankoff, Millitorr	15
Pump Rotational Speed, RPM	750
Number of Stages	1
Oil Capacity, qts.	½
Standard Belt Guard (not shown)	No. 1371H
Net Weight, Pump Only, lbs.	28
Net Weight, Mounted Pump, lbs.	49
Shipping Weight, Mounted Pump, lbs.	57
Optional Exhaust Filter, Complete	No. 1417
Filter Element, Air Maze	No. 1417F
Filter Element, Technolab	No. 1417L
Size of Rubber Stopper for Intake	00
Line Cord, with Switch for 115V	No. 41-1058
Line Cord, with Switch for 230V	No. 41-1057

Pumping Curves





PROVAC

SALES

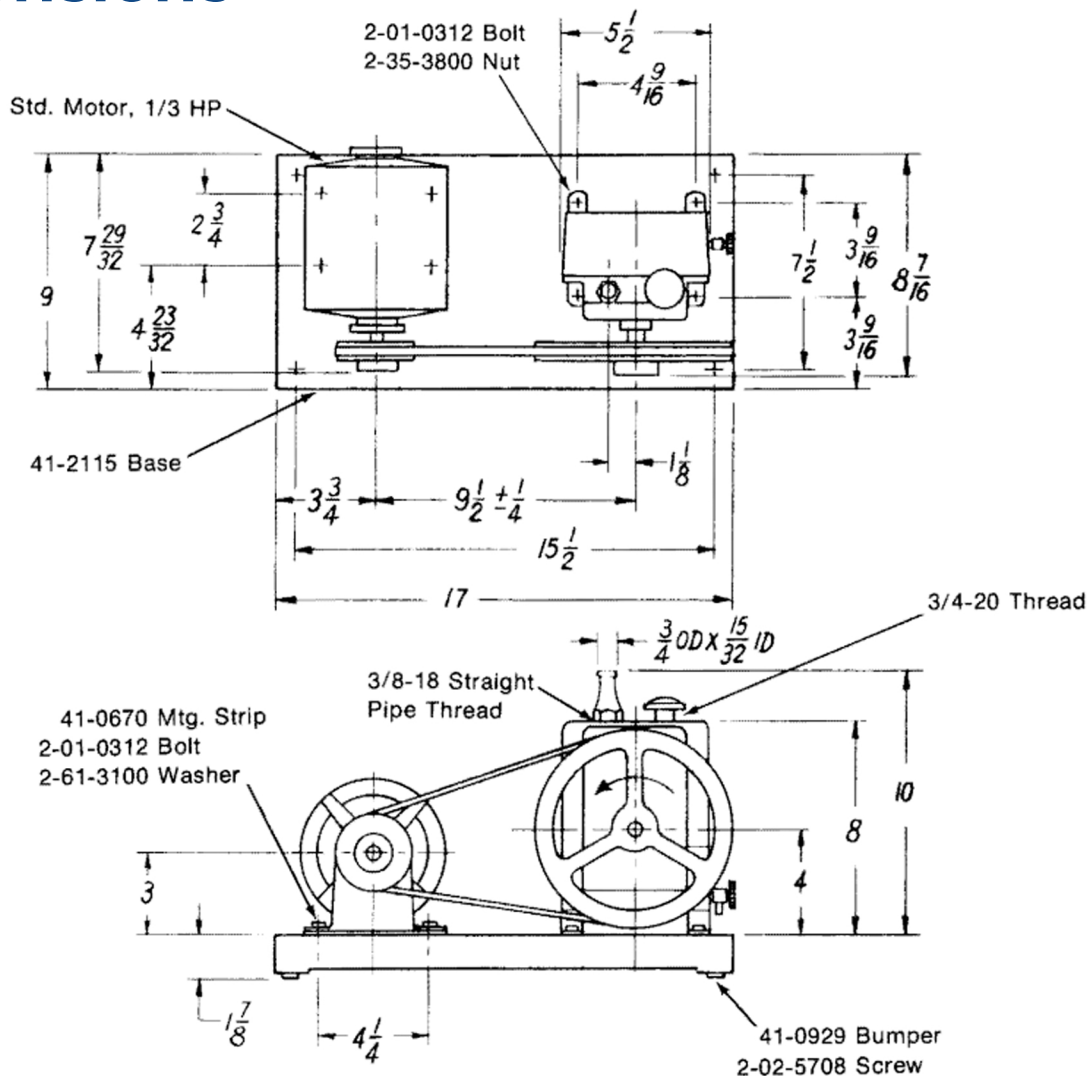
PHONE: 831-462-8900

FAX: 831-462-3536

WWW.PROVAC.COM

Welch 1399

Dimensions



Applications

- vacuum ovens • glove boxes • general laboratory vacuum • vacuum furnace evacuation • backing turbomolecular/diffusion pumps
- rotary evaporation • refrigeration system evacuation • epoxy degassing
- vacuum sterilization • backing mass spectrometers • freeze drying
- vacuum centrifugal applications • vacuum distillation • space research