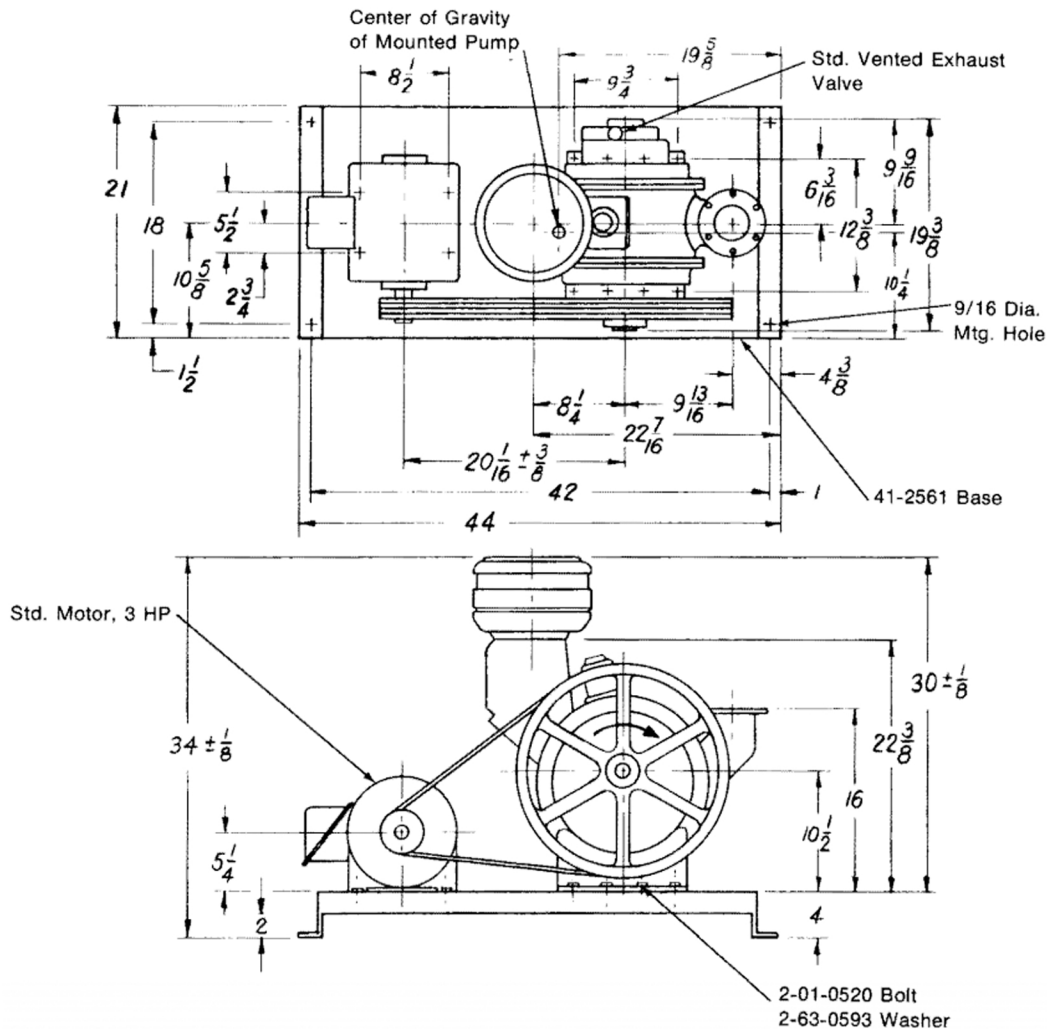




Welch 1398

Dimensions



Applications

- vacuum furnace evacuation
- backing turbomolecular/diffusion pumps
- rotary evaporation
- refrigeration system evacuation
- epoxy degassing
- vacuum sterilization
- backing mass spectrometers
- freeze drying
- vacuum centrifugal applications
- vacuum distillation
- space research