

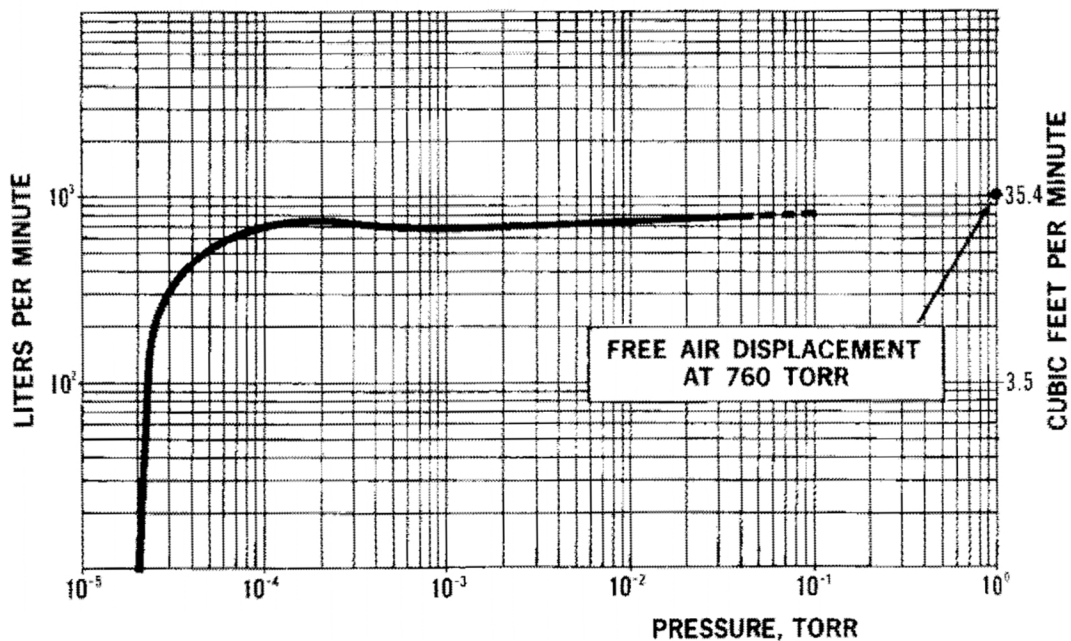


Welch 1375

Technical Specifications

Free-Air Displacement, L/M	1000
CFM	35.4
Guaranteed Partial Pressure	
Blankoff, millitorr	0.1
Pump Rotational Speed, RPM	335
Number of Stages	2
Oil Capacity, qts	1
Standard Belt Guard (not shown)	No. 41-1718
Net Weight, Pump Only, lbs.	280
Net Weight, Mounted Pump, lbs.	416
Shipping Weight, Mounted Pump, lbs.	460
Intake Flange	6- $\frac{1}{8}$ O.D. x 3 $\frac{1}{4}$ I.D.
Bolt Circle	5 $\frac{1}{4}$ Dia.
6 Holes, 60° Apart	7/16 Dia.
O-Ring Groove,	4-7/64 O.D. x 3-5/8 I.D. x 5/32 Deep

Pumping Curves





PROVAC

SALES

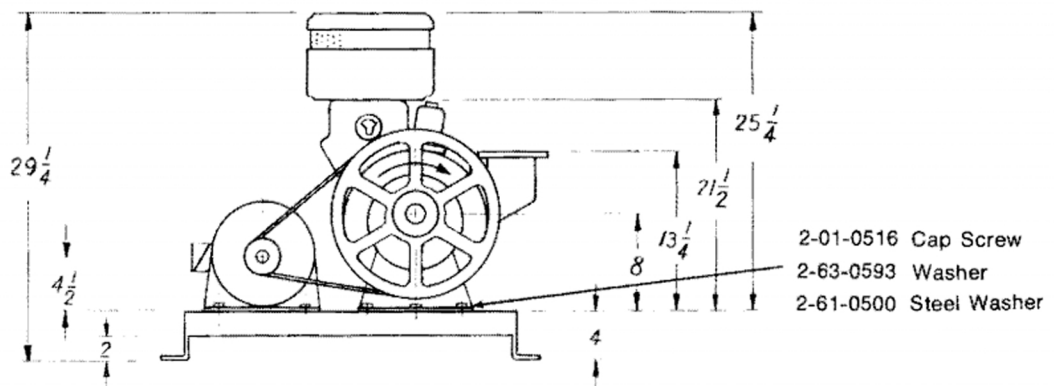
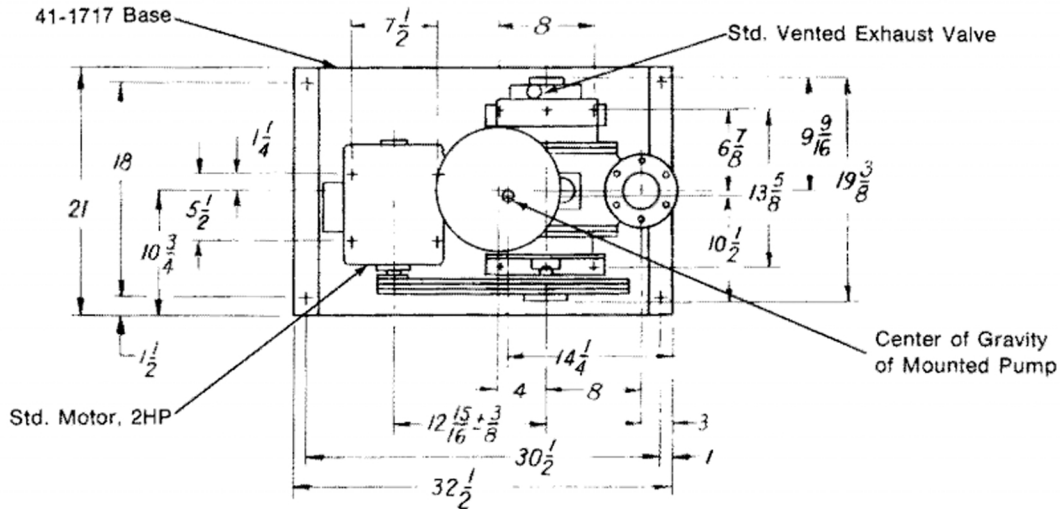
PHONE: 831-462-8900

FAX: 831-462-3536

WWW.PROVAC.COM

Welch 1375

Dimensions



Applications

- vacuum ovens
- glove boxes
- general laboratory vacuum