



PROVAC

SALES

PHONE: 831-462-8900

FAX: 831-462-3536

WWW.PROVAC.COM

Alcatel 1005SD, 1015SD

Technical Specifications

		Units	1005SD	1015SD
Nominal pumping speed (*)	50Hz	m ³ /h	5.4	15
	60Hz	cfm	3.8	10.6
Pneurop pumping speed (*)	50Hz	m ³ /h	4.8	12.5
	60Hz	cfm	3.4	8.8
Ultimate total pressure (*) closed gas ballast		mbar	5.10 ⁻²	5.10 ⁻²
Ultimate total pressure (*) open gas ballast		mbar	4	7
Water vapor capacity	50/60Hz	g/h	120/130	330/370
Water vapor pressure	50/60Hz	mbar	35/25	35/30
Weight (max)		kg (lbs)	21 (46.2)	24.5 (54)
Dimensions		see page	22	22
Electrical motors		see page	6	6
Max nominal power rating	50/60Hz	kW	0.45/0.55	0.45/0.55
Min ambient temperature		°C (°F)	12 (54)	12 (54)
Max ambient temperature		°C (°F)	45 (113)	45 (113)
Oil capacity		l	1.1	1
Inlet flange		ISO-KF	DN 25	DN 25
Exhaust flange		ISO-KF	DN 25	DN 25

(*): according to Pneurop specifications; with ALCATEL mineral oil.



PROVAC

SALES

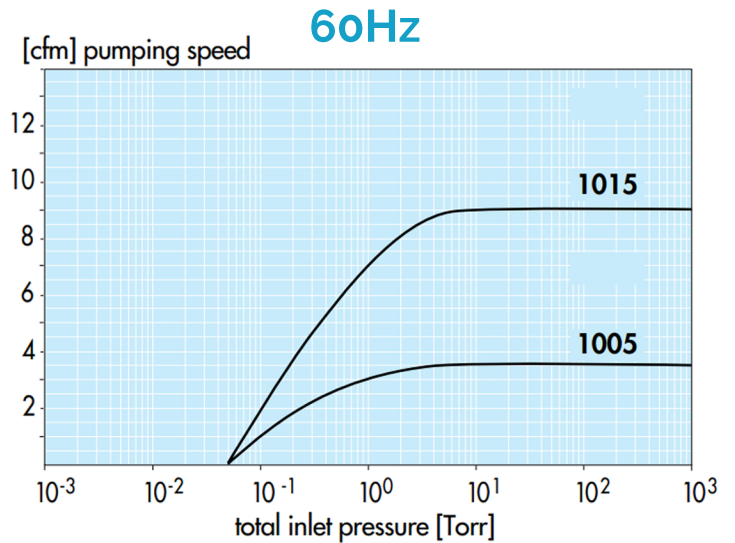
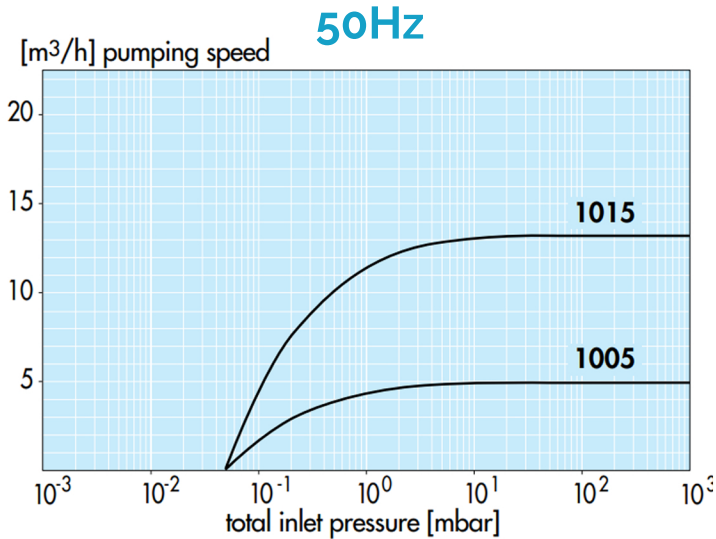
PHONE: 831-462-8900

FAX: 831-462-3536

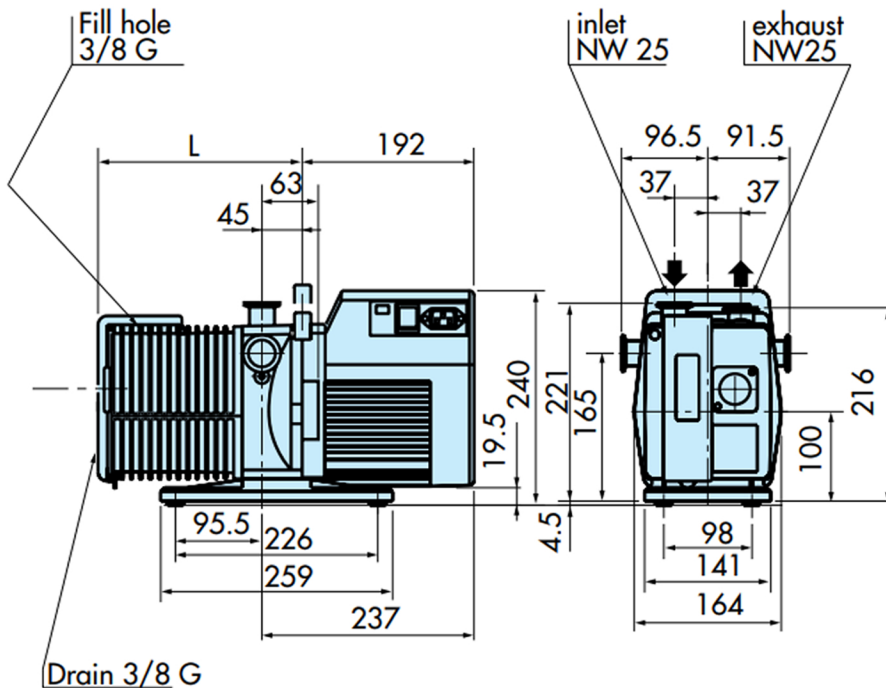
WWW.PROVAC.COM

Alcatel 1005SD, 1015SD

Pumping Curves



Dimensions



Specific dimensions	
Model	L mm
1005	228
1015	245

*same dimensions for single and three-phase motors



PROVAC

S A L E S

PHONE: 831-462-8900

FAX: 831-462-3536

WWW.PROVAC.COM

Alcatel 1005SD, 1015SD

Features & Benefits

- direct drive motor
- fold-away handle for easy carrying
- anti-suckback system
- gas ballast & neutral gas purge
- vertical sight glass on oil case



Applications

- research & development • pharmaceuticals • metallurgy • drying / refrigeration systems • electronic tube manufacturing • chemical industry • mass spectrometry • centrifuges • electronic microscopes
- leak detection systems • various semiconductor processes

