

***VRV* SYSTEM Inverter Air Conditioners**

MODELS

Wall-mounted type

FXAQ20AVM	FXAQ20AVM4	FXAQ20AVMS
FXAQ25AVM	FXAQ25AVM4	FXAQ25AVMS
FXAQ32AVM	FXAQ32AVM4	FXAQ32AVMS
FXAQ40AVM	FXAQ40AVM4	FXAQ40AVMS
FXAQ50AVM	FXAQ50AVM4	FXAQ50AVMS
FXAQ63AVM	FXAQ63AVM4	FXAQ63AVMS

English

Español

Português

Bahasa
Indonesia

ภาษาไทย

Thank you for purchasing this Daikin air conditioner.
Carefully read this operation manual before using the air conditioner.

It will tell you how to use the unit properly and help you if any trouble occurs. This manual explains about the indoor unit only. Use it along with the operation manual for the outdoor unit.

After reading the manual, file it away for future reference.

Le agradecemos la compra de este acondicionador de aire Daikin.

Lea cuidadosamente el manual de funcionamiento antes de utilizar el acondicionador de aire. Dicho manual le indicará cómo utilizar adecuadamente la máquina y le ayudará en caso de avería. Este manual describe sólo la unidad interior. Utilice conjuntamente con el manual de instrucciones de la unidad exterior. Después de leer el manual, consérvelo para consultas futuras.

Obrigado pela sua compra deste aparelho de ar condicionado Daikin.

Leia com atenção este manual de operação antes de proceder à utilização do aparelho de ar condicionado. Este indicará-lhe-á como deverá utilizar a unidade correctamente e ajudá-lo-á no caso de surgir qualquer problema. Este manual apenas contém explicações sobre a unidade interior. Use-o em conjunto com o manual de operação da unidade exterior. Depois de ler o manual, guarde-o a fim de o poder consultar caso venha a ser preciso.

Terima kasih telah membeli pendingin ruangan DAIKIN ini. Bacalah petunjuk pengoperasian ini dengan saksama sebelum menggunakan pendingin ruangan. Panduan ini akan memberi tahu Anda cara menggunakan unit dengan benar dan membantu Anda jika terjadi masalah. Panduan ini hanya menjelaskan tentang unit dalam-ruang. Gunakan bersama petunjuk pengoperasian untuk unit luar-ruang. Setelah membaca panduan, simpanlah untuk rujukan kelak.

ขอขอบพระคุณที่ท่านให้ความไว้วางใจเลือกใช้เครื่องปรับอากาศได้เกิน
โปรดอ่านคู่มือการใช้งานนี้อย่างรอบคอบก่อนใช้งานเครื่องปรับอากาศ
คู่มือนี้อธิบายการใช้งานเครื่องปรับอากาศอย่างถูกวิธี และช่วยท่านในกรณีที่
เกิดปัญหาในการใช้งาน คู่มือนี้อธิบายการใช้งานเครื่องปรับอากาศที่ติดตั้งใน
อาคารเท่านั้น จึงควรใช้คู่มือนี้ควบคู่กับคู่มือการใช้งานสำหรับชุดติดตั้ง
ภายนอกอาคาร
หลังจากอ่านคู่มือนี้โปรดเก็บคู่มือนี้ไว้เพื่อใช้อ้างอิงในภายหลัง

CONTENTS

1. SAFETY PRECAUTIONS	1
2. NAME OF PARTS	4
3. HOW TO ADJUST THE HORIZONTAL FAN DIRECTION ANGLE	4
4. MAINTENANCE (FOR SERVICE PERSONNEL)	4

The original instructions are written in English. All other languages are translations of the original instructions.

Important information regarding the refrigerant used

This product contains fluorinated greenhouse gases covered by the Kyoto Protocol.

Refrigerant type	R410A
GWP ⁽¹⁾ value	1975

⁽¹⁾GWP = global warming potential

Periodical inspections for refrigerant leaks may be required depending on European or local legislation. Please contact your local dealer for more information.

1. SAFETY PRECAUTIONS

To gain full advantage of the air conditioner's functions and to avoid malfunction due to mishandling, please read this operation manual carefully before use.

Read the precautions thoroughly to avoid misuse of the equipment.

This product comes under the term "appliances not accessible to the general public".


This appliance is intended to be used by expert or trained users in shops, in light industry and on farms, or for commercial use by lay persons.


This appliance can be used by children aged from 8 years and above and persons with reduced physical, sensory or mental capabilities or lack of experience and knowledge if they have been given supervision or instruction concerning use of the appliance in a safe way and understand the hazards involved. Children shall not play with the appliance. Cleaning and user maintenance shall only be done by persons described in manual.

The appliance is not intended for use by unattended young children or persons who are incompetent to operate air conditioners.

It may result in injury or electric shocks.

- **This manual classifies the precautions into WARNINGS and CAUTIONS. Be sure to follow all the precautions below: They are all important for ensuring safety.**
- **There are two kinds of safety precaution and tips listed in the following.**

 **WARNING**Indicates a potentially hazardous situation which, if not avoided, could result in death or serious injury.

 **CAUTION**Indicates a potentially hazardous situation which, if not avoided, may result in minor or moderate injury. It may also be used to alert against unsafe practices.

- **After reading, keep this manual in a convenient place so that you can refer to it whenever necessary. If the equipment is transferred to a new user, be sure also to hand over the manual.**

 **WARNING**

When the air conditioner is malfunctioning (giving off a burning odor, etc.), turn off the power to the air conditioner and contact your local dealer.

Continued operation under such circumstances may result in a failure, electric shocks or a fire.

Consult your local dealer regarding modification, repair and maintenance of the air conditioner.

Improper workmanship may result in water leakage, electric shocks or a fire.

Be sure to use fuses with the correct ampere reading.

Do not use improper fuses, copper or other wiring as a substitute, as this may result in electric shocks, a fire, injury or damage to the air conditioner.

Consult your local dealer if the air conditioner submerges owing to a natural disaster, such as a flood or typhoon.

Do not operate the air conditioner in that case, or otherwise a malfunction, electric shocks, or a fire may result.

Do not start or stop operating the air conditioner with the power supply breaker turned ON or OFF.

Otherwise, fire or water leakage may result.

Furthermore, the fan will rotate abruptly if power failure compensation is enabled, which may result in injury.

Do not use the air conditioner in the atmosphere contaminated with oil vapor, such as cooking oil or machine oil vapor.

Oil vapor may cause crack damage to the air conditioner, electric shocks, or a fire.

Do not use flammable materials (e.g., hairspray or insecticide) near the air conditioner.

Do not clean the air conditioner with organic solvents such as paint thinner.

The use of organic solvents may cause crack damage to the air conditioner, electric shocks, or a fire.

Do not use the air conditioner in places with excessive oily smoke, such as cooking rooms, or in places with flammable gas, corrosive gas, or metal dust.

Using the air conditioner in such places may cause a fire or air conditioner failures.

Beware of a fire in case of refrigerant leakage.

If the air conditioner is not operating correctly, i.e. not generating cool or warm air, refrigerant leakage could be the cause. Consult your local dealer for assistance. The refrigerant used for the air conditioner is safe and normally does not leak. However, if the refrigerant leaks and gets in contact with a naked burner, heater or cooker, it may generate hazardous compounds. Turn off the air conditioner and call your local dealer. Turn on the air conditioner after the qualified service person makes sure to confirm that the leakage is repaired.

Do not place objects, including rods, your fingers, etc., in the air inlet or outlet.

Injury may result due to contact with the air conditioner's highspeed fan blades.

Consult your local dealer regarding cleaning the inside of the air conditioner.

Improper cleaning may cause breakage of plastic parts, water leakage and other damage as well as electric shocks.

Be aware that prolonged, direct exposure to cool or warm air from the air conditioner, or to air that is too cool or too warm can be harmful to your physical condition and health.

Consult your local dealer about installation work.

Doing the work yourself may result in water leakage, electric shocks or a fire.

Contact professional personnel about attachment of accessories and be sure to use only accessories specified by the manufacturer.

If a defect results from your own workmanship, it may result in water leakage, electric shocks or a fire.

Consult your local dealer regarding relocation and reinstallation of the air conditioner.

Improper installation work may result in leakage, electric shocks or a fire.

Be sure to earth the air conditioner.

Do not earth the air conditioner to a utility piping, lightning conductor or telephone earth lead.

Imperfect earthing may result in electric shocks or a fire. A high surge current from lightning or other sources may cause damage to the air conditioner.

Be sure to install an earth leakage breaker.

Failure to install an earth leakage breaker may result in electric shocks or a fire.

Be sure to use a dedicated power supply for the air conditioner.

The use of any other power supply may cause heat generation, a fire, or air conditioner failures.

Consult your local dealer regarding what to do in case of refrigerant leakage.

When the air conditioner is installed in a small room, it is necessary to take proper measures so that the amount of any leaked refrigerant does not exceed the concentration limit in the event of a leakage. Otherwise, this may lead to an accident due to oxygen depletion.



CAUTION

Children should be watched so that they do not play with the indoor unit or its remote controller.

Accidental operation by a child may result in injury or electric shocks.

Do not allow a child to mount on the outdoor unit or avoid placing any object on it.

Falling or tumbling may result in injury.

Do not let children play on or around the outdoor unit.

If they touch the unit carelessly, injury may be caused.

Be sure that children, plants or animals are not exposed directly to airflow from the indoor unit, as adverse effects may ensue.

Do not place flammable sprays or operate spray containers near the air conditioner as this may result in a fire.

Do not wash the air conditioner or the remote controller with water, as this may result in electric shocks or fire.

Do not place water containers (flower vases, etc.) on the indoor unit, as this may result in electric shocks or a fire.

Do not put flammable containers, such as spray cans, within 1 m from the air outlet.

The containers may explode because the warm air from the indoor or outdoor unit will affect them.

Turn off the main power switch when the air conditioner is not to be used for prolonged periods.

When the main power switch is left on, some electrical power (watts) is still consumed even if the air conditioner is not operating. Therefore, switch off the main power switch to save energy.

When resuming operation, to ensure smooth running, turn on the main power switch 6 hours before operating the air conditioner again.

Do not place objects in direct proximity of the outdoor unit and do not let leaves and other debris accumulate around the unit.

Leaves are a hotbed for small animals which can enter the unit. Once in the unit, such animals can cause malfunctions, smoke or a fire when making contact with electrical parts.

Before cleaning, be sure to stop the air conditioner operation, turn the power circuit breaker off.

Otherwise, an electric shocks and injury may result.

To avoid electric shocks, do not operate with wet hands.

Never touch the internal parts of the remote controller.

Touching certain internal parts will cause electric shocks and damage to the remote controller. Consult your local dealer about checking and adjustment of internal parts.

To avoid oxygen deficiency, ensure that the room is adequately ventilated if equipment such as a burner is used together with the air conditioner.

Do not leave the remote controller wherever there is a risk of wetting.

If water gets into the remote controller there is a risk of electrical leakage and damage to electronic components.

Watch your steps at the time of air filter cleaning or inspection.

High-place work is required, to which utmost attention must be paid.

If the scaffold is unstable, you may fall or topple down, thus causing injury.

Do not remove the outdoor unit's outlet side grille.

The grille protects against the unit's high speed fan, which may cause injury.

To avoid injury, do not touch the air inlet or aluminum fins of the air conditioner.

Do not place objects that are susceptible to moisture directly beneath the indoor or outdoor units.

Under certain conditions, condensation on the unit or refrigerant piping, air filter dirt or drain blockage may cause dripping, resulting in fouling or failure of the object concerned.

Do not place heaters directly below the indoor unit, as resulting heat can cause deformation.

Do not place appliances that produce naked flames in places exposed to the airflow from the air conditioner as this may impair combustion of the burner.

Do not block air inlets nor outlets.

Impaired airflow may result in insufficient performance or trouble.

Do not use the air conditioner for purposes other than those for which it is intended.

Do not use the air conditioner for cooling precision instruments, food, plants, animals or works of art as this may adversely affect the performance, quality and/or longevity of the object concerned.

Do not install the air conditioner at any place where there is a danger of flammable gas leakage.

In the event of a gas leakage, build-up of gas near the air conditioner may result in a fire.

Carry out drain piping properly to ensure complete drainage.

If drain piping is not carried out properly, drain will not flow out. Then, dirt and debris may be accumulated in the drain piping and may cause water leakage. If it occurs, stop the air conditioner and call your local dealer for assistance.

After prolonged use, check the unit stand and its mounts for damage.

If left in a damaged condition, the unit may fall and cause injury.

Do not sit or place objects on the outdoor unit.

Falling yourself or falling objects could cause injury.

Ensure that the remote controller is not exposed to direct sunlight.

This will cause discolouration of the LCD display with resulting loss of readability.

Do not wipe the controller panel with benzene or other organic solvent.

This will cause discolouration and/or peeling.

If the panel needs cleaning, use a damp cloth with some water-diluted neutral detergent.

Wipe with a dry cloth afterwards.

Never touch the internal parts of the controller.

Do not remove the front panel. Touching certain internal parts will cause electric shocks and damage to the unit. Please consult your dealer about checking and adjustment of internal parts.

Never operate remote controller buttons with hard, pointed objects.

Do not pull or twist the remote controller cord.

This may cause malfunctioning.

Do not operate the air conditioner when using a room fumigation type insecticide.

Fumigation chemicals deposited in the unit could endanger the health of those who are hypersensitive to such chemicals.

Do not place burners or heaters in places exposed to the airflow from the unit as this may impair combustion of the burner or heater.

Take care of scaffolding and exercise caution when working high above ground level.

Do not operate with the control panel lid open.

If water gets inside the control panel, it may result in equipment failure or electric shock.

Do not place flammable sprays near the unit as this can cause explosions.

Arrange the drain hose to ensure smooth drainage.
Imperfect drainage may cause wetting.

Arrange the drain hose to ensure smooth drainage.
Imperfect drainage may cause wetting of the building, furniture etc.

INSTALLATION SITE

Regarding places for installation

- **Is the air conditioner installed at a well-ventilated place where there are no obstacles around?**
- **Do not use the air conditioner in the following places.**
 - a. Filled with much mineral oil such as cutting oil
 - b. Where there is much salt such as a beach area
 - c. Where sulfured gas exists such as a hot-spring resort
 - d. Where there are considerable voltage fluctuations such as a factory or plant
 - e. Vehicles and vessels
 - f. Where there is much spray of oil and vapor such as a cookery, etc.
 - g. Where there are machines generating electromagnetic waves
 - h. Filled with acid and/or alkaline steam or vapor
- **Is a snow protection measure taken?**
For details, consult your local dealer about snow protection hoods, etc.

Regarding wiring

- **All wiring must be performed by a qualified personnel.**
To do wiring, ask your local dealer. Never do it by yourself.
- **Make sure that a separate power supply circuit is provided for this air conditioner and that all electrical work is carried out by qualified personnel according to local laws and regulations.**

Pay attention to running noises, too

- **Are the following places selected?**
 - a. A place that can sufficiently withstand the mass of the air conditioner with less running noises and vibrations.
 - b. A place where the hot wind discharged from the air outlet of the outdoor unit and the running noises do not cause a nuisance to neighbours.

- **Are you sure that there are no obstacles near the air outlet of the outdoor unit?**
Such obstacles may result in declined performance and increased running noises.
- **If abnormal noises occur in use, stop the operation of the air conditioner, consult your local dealer.**

System relocation

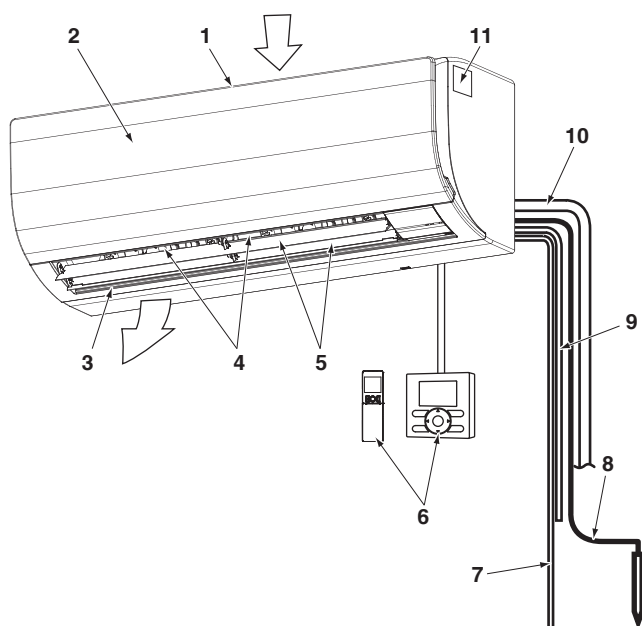
- **Consult your Daikin dealer about remodelling and relocation.**

Regarding drainage of drain piping

- **Is the drain piping carried out properly to ensure complete drainage?**

If drain piping is not carried out properly, dirt and debris may be accumulated in the drain piping and cause water leakage. If it occurs, stop the air conditioner and consult with your local dealer for assistance.

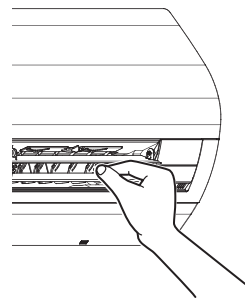
2. NAME OF PARTS



1	Air inlet (Top of the unit)
2	Air filter (Under the panel)
3	Air outlet
4	Vertical flaps (horizontal air outlet direction adjustment flaps- manual)
5	Horizontal flaps (vertical air outlet direction adjustment flaps-auto)
6	Remote controller
7	Power supply wiring
8	Ground wire Conducts electricity from the unit into the ground to prevent electric shock.
9	Drain pipe
10	Refrigerant pipe transmission wiring
11	Name plate (Indoor unit model name)

3. HOW TO ADJUST THE HORIZONTAL FAN DIRECTION ANGLE

Hold the tabs on edge vertical flaps (horizontal air outlet direction adjustment flaps) down slightly and adjust left and right to match the room conditions or your preference.



Stop the horizontal flaps at a position where you can hold the tabs and adjust it left and right.

4. MAINTENANCE (FOR SERVICE PERSONNEL)

⚠ WARNING

- **Only a qualified person is allowed to perform maintenance without daily maintenance.**
- **Before touching any of connection wirings, be sure to turn off all power supply switches.**
- **Contact professional personnel about attachment of accessories and be sure to use only accessories specified by the manufacturer.**
If a defect results from your own workmanship, it may result in water leaks, electric shock or fire.
- **Do not use flammable materials (e.g., hairspray or insecticide) near the product.**
Do not clean the product with organic solvents such as paint thinner.
The use of organic solvents may cause crack damage to the product, electric shocks, or fire.
- **Consult your dealer regarding cleaning the inside of the air conditioner.**
Improper cleaning may cause breakage of plastic parts, water leakage and other damage as well as electric shocks.


⚠ CAUTION

- **Before cleaning, be sure to stop unit operation, turn the power circuit breaker off or remove the power cord.**
Otherwise, an electric shock and injury may result.
- **Do not wash the air conditioner with water, as this may result in electric shocks or fire.**
- **Watch your steps at the time of air filter cleaning or inspection.**
High-place work is required, to which utmost attention must be paid.
If the scaffold is unstable, you may fall or topple down, thus causing injury.

NOTE

- Do not remove the air filter except when cleaning. This may cause breakage.

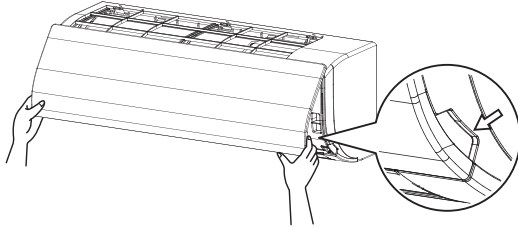
HOW TO CLEAN THE AIR FILTER

Clean the air filter when the display shows “” (TIME TO CLEAN AIR FILTER).

- It will display that it will operate for a set amount of time.
- Increase the frequency of cleaning if the unit is installed in a room where the air is extremely contaminated.
- If the dirt becomes impossible to clean, change the air filter (Air filter for exchange is optional)

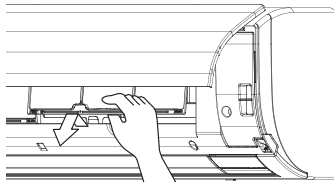
1. Open the front panel.

Place your fingers on the panel protrusions on the left and right sides of the unit and open until the panel stops. (Follow the same procedure for closing.)



2. Pull out the air filter.

Push up the tab in the center of the air filter slightly then pull out in a downward direction.



3. Clean the air filter.

Use vacuum cleaner **A)** or wash the air filter with water **B)**.

A) Using a vacuum cleaner



B) Washing with water

When the air filter is very dirty, use soft brush and neutral detergent



Remove water and dry in the shade.

NOTE

- Do not wash the air filter with hot water of more than 50°C, as doing so may result in discoloration and/or deformation.
- Do not expose it to fire, as doing so may result in burning.

4. Attach the air filter.

Once cleaning is done be sure to replace the air filter as it was.

5. Shut the front panel.

Refer to item No.1.

6. Press the FILTER SIGN RESET button on the remote controller.

The “TIME TO CLEAN AIR FILTER” display vanishes.

HOW TO CLEAN THE AIR OUTLET AND EXTERIOR

- Clean with soft cloth.
- When it is difficult to remove stains, use water or neutral detergent.

NOTE

- Do not use gasoline, benzine, thinner, polishing powder, liquid insecticide. It may cause discoloring or warping.
- Do not use water or air of 50°C or higher for cleaning air filters.
- When the flap is extremely contaminated, remove it and clean or exchange it.
(Flap for exchange is a service part.)

HOW TO CLEAN THE FRONT PANEL

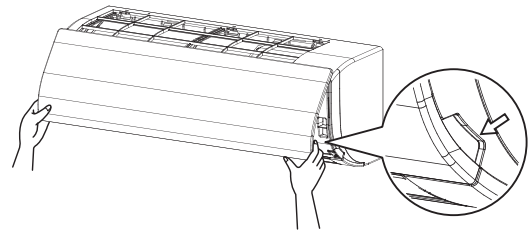
You can remove the front panel to clean it.

NOTE

- Hold the front panel firmly so that it does not fall.
- Do not use gasoline, benzine, thinner, polishing powder, liquid insecticide. It may cause discoloring or warping.
- Do not let the indoor unit get wet. It may cause an electric shock or a fire.
- Do not scrub firmly when washing the blade with water. The surface sealing may peel off.
- Do not use water or air of 50°C or higher for cleaning air filters and outside panels.
- Make sure the front panel is solidly in place.

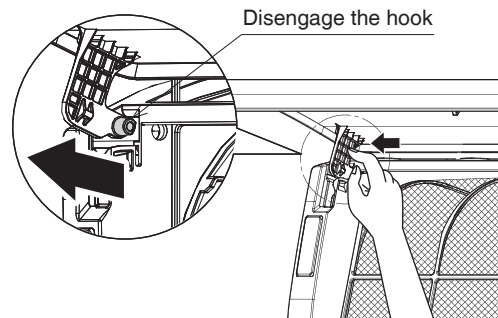
1. Open the front panel.

Place your fingers on the panel protrusions on the left and right sides of the unit and open until the panel stops. (Follow the same procedure for closing.)



2. Remove the front panel.

Slide the front panel to either the left or right and pull it toward yourself and remove it.



3. Clean the front panel.

- Wipe gently with a soft wet cloth.
- Only use neutral cleaning agents.
- After washing off, wipe off any excess water and dry in a shaded location.

- **When very grimy**

Directly apply the type of detergent used for cleaning ventilation fans or ovens, wait 10 minutes, and then rinse with water.

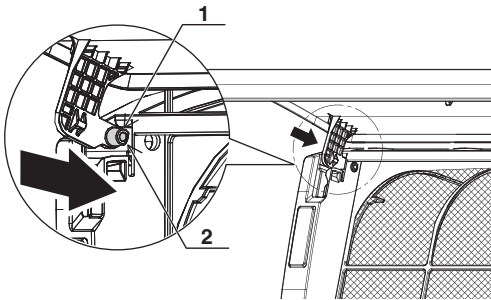
NOTE

- Do not wash the air conditioner with hot water of more than 50°C. Doing so may result in discoloration or deformation.

4. Attach the front panel.

Set the hooks of the front panel into the slots and push them in all the way.

Close the front panel slowly in this state.



1. Hook
2. Slot

ÍNDICE

1. PRECAUCIONES DE SEGURIDAD	1
2. NOMBRE DE LOS COMPONENTES	4
3. AJUSTE DEL ÁNGULO DE LA DIRECCIÓN HORIZONTAL DEL VENTILADOR	5
4. MANTENIMIENTO (PARA EL PERSONAL DEL SERVICIO TÉCNICO) ...	5

Las instrucciones originales están redactadas en inglés. El resto de los idiomas son traducciones de las instrucciones originales.

Información importante con relación al refrigerante utilizado

Este producto contiene gases fluorados de efecto invernadero regulados por el Protocolo de Kioto.

Tipo de refrigerante	R410A
Valor GWP ⁽¹⁾	1975

⁽¹⁾GWP = global warming potential (potencial de calentamiento global)

Puede ser necesario hacer inspecciones periódicas para localizar fugas de refrigerante, dependiendo de la legislación europea o local vigente. Comuníquese con su distribuidor local para obtener más información.

1. PRECAUCIONES DE SEGURIDAD

Le recomendamos que lea detenidamente este manual de operación antes de usar el sistema de aire acondicionado para lograr el desempeño óptimo de todas las funciones del sistema y para evitar fallas de funcionamiento por mal manejo. Lea completamente las precauciones para evitar el mal uso del equipo.

Este producto está incluido en la clasificación "equipos no accesibles al público en general".


Este equipo está diseñado para ser utilizado por expertos o usuarios capacitados en tiendas, industria ligera y en granjas, o para uso comercial por personas no capacitadas en la materia.


Este equipo puede ser usado por niños de 8 años o más y por personas con discapacidades físicas, sensoriales o mentales, o con falta de experiencia y conocimiento si han recibido supervisión o instrucciones sobre el uso del equipo de manera segura y entienden los riesgos involucrados. Los niños no deben jugar con el equipo. Solamente las personas descritas en el manual deberán llevar a cabo la limpieza y el mantenimiento.

El uso de este equipo no está indicado para niños sin supervisión ni para personas que no sean competentes para utilizar sistemas de aire acondicionado.

Si no se respeta esta indicación, podrían producirse lesiones o descargas eléctricas.

- **Este manual clasifica las precauciones en ADVERTENCIAS y AVISOS. Asegúrese de obedecer las siguientes precauciones: Todas son importantes para garantizar la seguridad.**
- **A continuación se mencionan dos tipos de precauciones y consejos de seguridad.**

 **ADVERTENCIA** Indica una situación potencialmente peligrosa que, si no se evita, podría resultar en lesiones graves o incluso en la muerte.

 **PRECAUCIÓN** Indica una situación potencialmente peligrosa que, si no se evita, podría resultar en lesiones menores o moderadas. Puede utilizarse también para advertir de prácticas inseguras.

- **Después de leerlo, conserve este manual en un lugar donde todos puedan consultarlo en cualquier momento. Además, si transfiera el equipo a un nuevo usuario, asegúrese de entregar este manual.**

ADVERTENCIA

Si el aire acondicionado no funciona correctamente (huele a quemado, etc.), desenchufe el cable de alimentación y póngase en contacto con su distribuidor local.

Mantener el sistema operando en estas circunstancias puede provocar fallas, descargas eléctricas o incendios.

Solicite a su distribuidor cualquier trabajo de modificación, reparación y mantenimiento.

El trabajo hecho en forma inadecuada puede causar fugas de agua, descargas eléctricas o incendio.

Asegúrese de utilizar fusibles con el amperaje correcto.

Evite utilizar fusibles de capacidad incorrecta, cables de cobre u otros cables como sustitutos, ya que esto podría provocar descargas eléctricas, incendio, lesiones o daños al equipo de aire acondicionado.

Si el equipo de aire acondicionado se moja debido a un desastre natural, como una inundación o un tifón, consulte a su distribuidor.

En dicho caso, no accione el equipo de aire acondicionado, porque podría causar funcionamiento incorrecto, descargas eléctricas o incendio.

No inicie o detenga la operación del equipo de aire acondicionado con el interruptor de alimentación eléctrica ENCENDIDO o APAGADO.

De lo contrario, se puede ocasionar fuego o fuga de agua. Además, el ventilador girará en forma abrupta si se habilita la compensación por falla de energía, lo cual puede ocasionar lesiones.

No use el equipo en atmósferas contaminadas con vapor de aceite, tal como aceite para cocinar o de máquinas.

El vapor del aceite puede agrietar el equipo y causar descargas eléctricas o incendio.

No use productos inflamables (por ejemplo, laca para el cabello o insecticidas) cerca del equipo.

No limpie el equipo de aire acondicionado con solventes orgánicos como el adelgazador de pintura
El uso de solventes orgánicos puede agrietar el equipo de aire acondicionado o provocar descargas eléctricas o incendio.

No use el equipo en lugares con exceso de humo grasiento como cocinas, ni en lugares donde haya presencia de gases inflamables, gases corrosivos o polvo de metal.

Si se usa el equipo aire acondicionado en estos lugares, pueden producirse fallas o incendio.

En caso de fuga de refrigerante, preste atención a la posibilidad de que se produzca un incendio.

Si el equipo de aire acondicionado no funciona correctamente, por ejemplo, si no sale aire caliente o frío, la causa podría ser una fuga de refrigerante. Póngase en contacto con su distribuidor para solicitar asistencia técnica. El refrigerante que se usa en el equipo de aire acondicionado es seguro y no suelen producirse fugas. Sin embargo, si se produce alguna fuga de refrigerante y este entra en contacto con llamas expuestas, un calentador o una estufa, puede generar compuestos peligrosos. Apague el equipo de aire acondicionado y póngase en contacto con su distribuidor local. Una vez que el servicio técnico le haya confirmado que ha reparado la fuga, encienda el aire acondicionado.

No introduzca su dedo, varillas u otros objetos en la entrada o en la salida del aire.

En caso de entrar en contacto con las aspas del ventilador de alta velocidad, estas pueden causar lesiones.

Solicite a su distribuidor las instrucciones para limpiar la parte interna del equipo de aire acondicionado.

Si no limpia correctamente el equipo, podría romper partes de plástico, producir fugas de agua u otros daños o descargas eléctricas.

Tenga en cuenta que la exposición prolongada o directa al aire del equipo de aire acondicionado, o al aire demasiado frío o caliente puede ser dañino para su estado físico y salud.

Solicite a su distribuidor que le instale el equipo de aire acondicionado.

Si la persona que hace la instalación no es un profesional calificado, es posible que se produzcan fugas de agua, descargas eléctricas o un incendio.

Solicite que personal profesional instale accesorios y asegúrese de que dichos accesorios sean los que recomienda el fabricante.

Si su trabajo causa defectos, podrían producirse fugas de agua, descargas eléctricas o un incendio.

En caso de reubicación y reinstalación del equipo de aire acondicionado, consulte a su distribuidor local.

La instalación incorrecta puede causar fugas de agua, descargas eléctricas o un incendio.

Asegúrese de conectar a tierra el equipo de aire acondicionado.

No conecte el cable de conexión a tierra del equipo de aire acondicionado a una tubería de servicio, a un pararrayos o un cable de tierra telefónico.

La conexión a tierra incorrecta puede causar descargas eléctricas o un incendio.

La sobrecorriente intensa producida por un rayo u otras fuentes podría dañar el equipo de aire acondicionado.

Instale un interruptor de fuga a tierra.

Si no se instala un interruptor de fuga a tierra, pueden producirse descargas eléctricas o un incendio.

Asegúrese de usar una fuente de alimentación exclusiva para el equipo de aire acondicionado.

El uso de otras fuentes de alimentación puede producir calentamiento, incendio o fallas en el equipo de aire acondicionado.

En caso de fuga de refrigerante, consulte a su distribuidor.

Al instalar el equipo de aire acondicionado en una habitación pequeña, es necesario tomar las medidas adecuadas para que, en caso de fuga, la cantidad de refrigerante fugado no supere el límite de concentración. Si las fugas de refrigerante superan el nivel de límite de concentración, pueden producirse accidentes por falta de oxígeno.



PRECAUCIÓN

Es necesario vigilar a los niños para evitar que jueguen con la unidad interior o con el control remoto.

La operación accidental del equipo por parte de un niño puede resultar en lesiones o descargas eléctricas.

No permita que los niños se trepen a la unidad exterior ni que coloquen objetos encima de esta.

Pueden caerse y sufrir heridas.

No permita que los niños jueguen encima ni sobre la unidad exterior.

Si tocan descuidadamente la unidad, correrán el riesgo de sufrir lesiones.

Asegúrese de que los niños, las plantas o los animales no queden expuestos directamente a la corriente de aire de la unidad interior, ya que podrían sufrir efectos adversos.

No coloque ni utilice aerosoles inflamables cerca del equipo de aire acondicionado; podría producirse un incendio.

No lave el equipo de aire acondicionado ni el control remoto con agua, ya que podría causar descargas eléctricas o un incendio.

No coloque recipientes con agua (floreros, etc.) sobre la unidad interior; podrían producirse descargas eléctricas o un incendio.

No ponga recipientes inflamables, tales como atomizadores, a menos de 1 m de distancia de la salida de aire.

Los recipientes podrían explotar debido al efecto del aire caliente procedente de la unidad interior o exterior.

Cuando el equipo de aire acondicionado no se use por periodos prolongados, apague el interruptor de energía principal.

Cuando el interruptor de energía principal se deja encendido, se continúa consumiendo parte de la energía eléctrica (vatios) aunque el equipo de aire acondicionado no esté funcionando. Por lo tanto, apague el interruptor de energía principal para ahorrar energía.

Para garantizar el funcionamiento uniforme cuando reanude la operación, encienda el interruptor de energía principal seis horas antes de volver a operar el equipo.

No coloque ningún objeto demasiado cerca de la unidad exterior ni permita que se acumulen hojas o suciedad cerca de esta.

Las hojas constituyen un hábitat de pequeños animales que podrían entrar en la unidad. Una vez en el interior, estos animales pueden provocar fallas, humo o un incendio si entran en contacto con los componentes eléctricos.

Antes de limpiar la unidad, apague el aire acondicionado y desactive el interruptor del circuito de alimentación.

De lo contrario, puede sufrir una descarga eléctrica y resultar herido.

No opere el equipo de aire acondicionado con las manos mojadas. Puede provocar una descarga eléctrica.

Nunca toque las partes internas del control remoto.

Si se tocan ciertas partes internas, pueden producirse descargas eléctricas y daños en el control remoto. Para revisar y ajustar las partes internas, consulte a su distribuidor.

Para evitar la falta de oxígeno, asegúrese de que la habitación en que se instala el equipo esté bien ventilada en caso de que también haya un quemador.

No deje el control remoto donde pueda mojarse.

Si entra agua en el control remoto, se correrá el riesgo de descargas eléctricas y de daño a los componentes electrónicos.

Tenga cuidado al pisar cuando limpie o inspeccione el filtro de aire.

Si necesita hacer un trabajo en un lugar alto, debe tener mucho cuidado.

Si su andamio es inestable, puede caerse y sufrir heridas.

No desmonte la rejilla lateral de salida de la unidad exterior.

La rejilla protege contra el ventilador de alta velocidad de la unidad, el cual puede causar lesiones.

Para evitar heridas, no deben tocarse la entrada de aire ni las aletas de aluminio del equipo de aire acondicionado.

No coloque objetos susceptibles a la humedad debajo de una unidad para interior o exterior.

En determinadas condiciones, la condensación en la unidad o en los tubos de refrigerante, la suciedad en el filtro del aire o el bloqueo de los tubos de drenaje son factores que pueden provocar el goteo de líquido, lo que provocará que el objeto sobre el que cae el líquido se ensucie o se estropee.

No coloque calentadores directamente debajo de la unidad interior; el calor resultante podría deformar el equipo.

No coloque equipos que generen llamas en lugares expuestos a la corriente de aire del equipo de aire acondicionado, ya que esto podría alterar la combustión del quemador.

No bloquee las entradas ni las salidas de aire.

La corriente de aire deficiente puede causar desempeño insuficiente u otros problemas.

No utilice el aire acondicionado para fines no previstos.

No utilice el equipo de aire acondicionado para enfriar instrumentos de precisión, alimentos, plantas, animales u obras de arte, ya que puede afectar el desempeño, la calidad y la duración de estos objetos.

No instale el aire acondicionado en un lugar donde pueda haber fugas de gas inflamable.

En caso de ocurrir una fuga de gas, la acumulación de dicho gas cerca del equipo de aire acondicionado podría provocar un incendio.

Instale la tubería de drenaje correctamente para garantizar el desagüe completo.

Si no se instala correctamente la tubería de drenaje, el desagüe no se realizará en forma adecuada.

Podría acumularse suciedad y residuos podrían en la tubería de drenaje y causar fuga de agua. Si esto ocurriera, apague el equipo de aire acondicionado y póngase en contacto con su distribuidor para solicitar asistencia técnica.

Después del uso prolongado, revise la base de la unidad y sus soportes por posible daño.

Si se deja en una condición dañada, la unidad puede caer y causar lesiones.

No apoye o coloque objetos sobre la unidad exterior.

Se pueden ocasionar lesiones debido a una caída de usted o de objetos que caigan.

Asegúrese de que el control remoto no esté expuesto a la luz solar directa.

Esto causará decoloración de la pantalla LCD y pérdida de la capacidad de lectura.

No limpie el panel del control con bencina u otros solventes orgánicos.

Esto causará decoloración o desprendimiento de la película superficial.

Si el panel necesita limpieza, use una tela humedecida con detergente neutro diluido en agua.

Limpie con una tela seca al terminar.

Nunca toque las partes internas del control.

No quite el panel frontal. Si se tocan ciertas partes internas, esto podrá causar descargas eléctricas y daño a la unidad. Para la inspección y ajuste de partes internas, consulte a su distribuidor.

Nunca opere los botones del control remoto con objetos rígidos o punzantes.

No jale ni tuerza el cable del control remoto.

Esto puede causar falla en el funcionamiento.

No opere el equipo de aire acondicionado cuando aplique un insecticida para fumigar la habitación.

Los químicos de fumigación que se depositan en la unidad pueden poner en riesgo la salud de las personas sensibles a estos.

No coloque quemadores o calentadores en lugares expuestos al flujo del aire proveniente de la unidad, ya que esto puede afectar la combustión del quemador o calentador.

Tenga cuidado con los andamios y cuando trabaje por encima del nivel del suelo.

No opere el equipo con la tapa del panel de control abierta.

Si el agua ingresa al panel de control, esto puede causar falla del equipo o descarga eléctrica.

No coloque aerosoles inflamables cerca de la unidad, ya que puede causar explosiones.

Coloque la manguera de drenaje para asegurar el desagüe uniforme.

El desagüe defectuoso puede causar humedecimiento.

Coloque la manguera de drenaje para asegurar el desagüe uniforme.

El desagüe defectuoso puede causar humedecimiento del edificio.

LUGAR DE INSTALACIÓN

Con relación a los lugares de instalación

- ¿Está el equipo de aire acondicionado en un lugar bien ventilado sin obstáculos alrededor?
- No use el equipo de aire acondicionado en los siguientes lugares.
 - a. Saturados de aceite mineral como el aceite para corte
 - b. Donde haya mucha sal, tal como una zona en la playa
 - c. Donde exista gas azufrado como en el caso de un centro de aguas termales
 - d. Donde haya fluctuaciones de voltaje considerables como en una fábrica o planta
 - e. En vehículos y embarcaciones
 - f. Donde haya demasiado aerosol de aceite y vapor como en una cocina y otros lugares similares
 - g. Donde haya máquinas que generan ondas electromagnéticas
 - h. Saturados de humos o vapores ácidos o alcalinos
- ¿Está implementada una medida de protección para nieve?

Para obtener más detalles, consulte a su distribuidor local acerca de las campanas para protección para nieve, etc.

Con relación al cableado

- **Personal calificado debe instalar todo el cableado.** Pregunte a su distribuidor local para instalar el cableado. Nunca lo haga usted mismo.
- **Asegúrese de que se proporcione un circuito de alimentación de energía separado para este equipo de aire acondicionado y que personal calificado lleve a cabo todo el trabajo eléctrico de acuerdo con las leyes y reglamentos locales.**

Preste atención a ruidos de operación también

- ¿Se han seleccionado los siguientes lugares?
 - a. Un lugar que pueda soportar adecuadamente la masa del equipo de aire acondicionado con menos ruidos y vibraciones de operación.
 - b. Un lugar donde el aire caliente descargado de la salida del equipo y los ruidos de operación no causen molestias a los vecinos.
- ¿Está seguro de que no hay obstáculos cerca de la salida de aire de la unidad exterior?

Estos obstáculos pueden causar desempeño reducido y aumento de los ruidos de operación.
- Si ocurren ruidos anormales con el uso, detenga la operación del equipo y consulte a su distribuidor local.

Reubicación del sistema

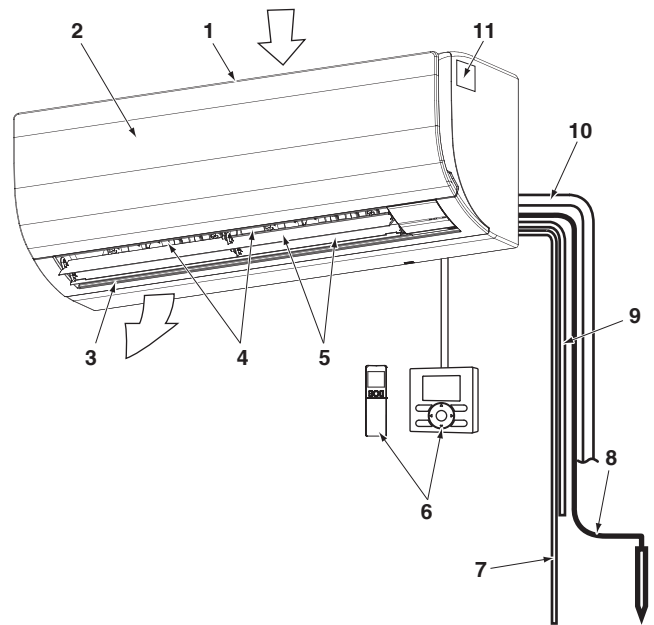
- Consulte a su distribuidor Daikin en caso de remodelación y reubicación.

Con relación al desagüe de la tubería de drenaje

- ¿Está la tubería de drenaje instalada adecuadamente para asegurar el desagüe completo?

Si la tubería de drenaje no se instala adecuadamente, puede acumularse suciedad y residuos en esta y causar goteos. Si esto ocurre, apague el equipo y consulte a su distribuidor local para obtener asistencia.

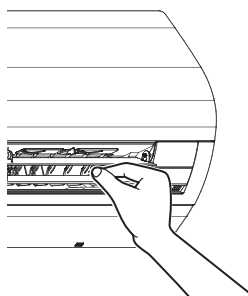
2. NOMBRE DE LOS COMPONENTES



1	Entrada de aire (parte superior de la unidad principal)
2	Filtro de aire (debajo del panel)
3	Salida de aire
4	Aletas verticales (aletas de ajuste de la dirección horizontal de la salida de aire, manual)
5	Aletas horizontales (aletas de ajuste de la dirección vertical de la salida de aire, automático)
6	Controlador remoto
7	Cableado de alimentación eléctrica
8	Cable de tierra Conduce electricidad desde la unidad al suelo para evitar descargas eléctricas.
9	Tubo de drenaje
10	Cableado de admisión del tubo de refrigerante
11	Placa de identificación (Nombre del modelo de la unidad interior)

3. AJUSTE DEL ÁNGULO DE LA DIRECCIÓN HORIZONTAL DEL VENTILADOR

Sujete las pestañas en las rejillas del borde (aletas de ajuste del sentido horizontal de la salida de aire) ligeramente hacia abajo y ajuste a la izquierda y a la derecha de acuerdo con las condiciones de la habitación o su preferencia.



Detenga las aletas horizontales en una posición en la que pueda sostener las pestañas y ajustarlas a la izquierda y a la derecha.

4. MANTENIMIENTO (PARA EL PERSONAL DEL SERVICIO TÉCNICO)

⚠ ADVERTENCIA

- **Únicamente un operador calificado puede llevar a cabo las tareas de mantenimiento sin necesidad de ocuparse del mantenimiento diario.**
- **Antes de tocar algún cableado de conexión, asegúrese de desconectar todos los interruptores de alimentación.**
- **Póngase en contacto con personal profesional para la conexión de accesorios y asegúrese de usar solamente accesorios que especifique el fabricante.**
Si se produce un defecto por hacer el trabajo por su cuenta, puede provocar fugas de agua, descarga eléctrica o incendio.
- **No utilice materiales inflamables (por ejemplo rociador para cabello o insecticidas) cerca del producto.**
No limpie el producto con solventes orgánicos o diluyente de pintura.
El uso de solventes orgánicos puede provocar daños por grietas del producto, descargas eléctricas o incendio.
- **Consulte con su concesionario acerca de la limpieza interior del equipo de aire acondicionado.**
La limpieza inadecuada puede causar ruptura de las partes plásticas, fuga de agua y otros daños, así como descargas eléctricas.

⚠ PRECAUCIÓN

- **Para limpiar la unidad, deténgala, apague el interruptor del circuito y desenchufe el cable de alimentación.**
De lo contrario, puede recibir una descarga eléctrica que pueda lesionarlo.
- **No lave el equipo de aire acondicionado con agua, ya que puede provocar descargas eléctricas o incendio.**
- **Tenga cuidado dónde pisa cuando limpie o inspeccione el filtro de aire.**
Si necesita hacer un trabajo en un lugar alto, debe tener mucho cuidado.
Si su andamio es inestable, puede caerse y sufrir heridas.

NOTA

- Retire el filtro de aire únicamente para limpiarlo. Puede ocasionar rotura.

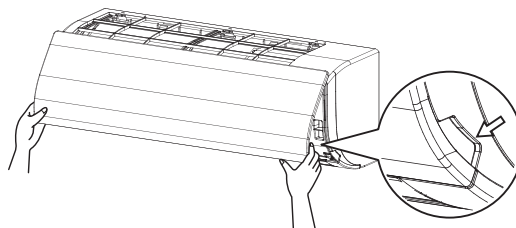
LIMPIEZA DEL FILTRO DE AIRE

Limpie el filtro de aire cuando aparezca “” (HORA DE LIMPIAR EL FILTRO DE AIRE).

- Se indica que operará durante un tiempo determinado.
- Aumente la frecuencia con que se hace la limpieza si se ha instalado la unidad en una habitación donde el aire está sumamente contaminado.
- Si la suciedad se hace imposible de limpiar, cambie el filtro de aire (el filtro de aire para intercambio es opcional)

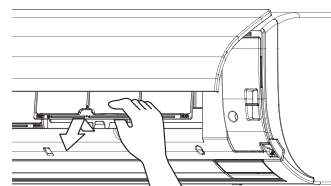
1. Abra el panel frontal.

Coloque los dedos sobre las salientes del panel, del lado izquierdo y derecho de la unidad y abra hasta que se detenga el panel. (Siga el mismo procedimiento para el cierre.)



2. Extraiga el filtro de aire.

Empuje ligeramente la pestaña del centro del filtro de aire y luego jale hacia fuera y hacia abajo.



3. Limpie el filtro de aire.

Use una aspiradora **A)** o lave el filtro de aire en agua **B)**.

A) Uso de una aspiradora



B) Lavado con agua

Cuando el filtro de aire esté muy sucio, utilice un cepillo blando y detergente neutro.



Elimine el agua y seque a la sombra.

NOTA

- No lave el filtro de aire con agua caliente a más de 50°C, ya que hacerlo puede resultar en decoloración o deformación.
- No lo exponga al fuego porque podría ocasionar un incendio.

4. Coloque el filtro de aire.

Una vez completada la limpieza, coloque el filtro de aire como estaba.

5. Cierre el panel frontal.

Consulte el punto No. 1.

6. Presione el botón de **RESTABLECER LA SEÑAL DEL FILTRO** en el controlador remoto.

Desaparece la indicación "HORA DE LIMPIAR EL FILTRO DE AIRE".

LIMPIEZA DE LA SALIDA DE AIRE Y DEL EXTERIOR

- Limpie con una tela suave.
- Cuando sea difícil limpiar las manchas, utilice agua o un detergente neutro.

NOTA

- No utilice gasolina, bencina, diluyente de pintura, polvo para pulir o líquidos insecticidas, ya que puede cambiar de color y/o deformarse.
- No utilice agua ni aire a una temperatura superior a 50°C o más para limpiar los filtros de aire.
- Cuando la aleta está sumamente contaminada, remuévala y límpiela o cámbiela.
(La aleta para intercambio es una parte de servicio.)

LIMPIEZA DEL PANEL FRONTAL

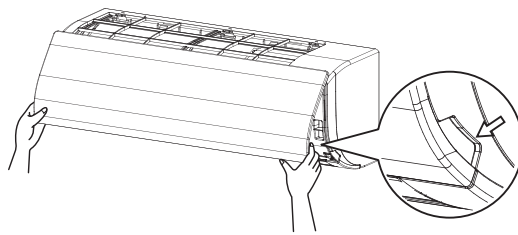
Es posible extraer el panel frontal para limpiarlo.

NOTA

- Sujete firmemente el panel frontal para que no se caiga.
- No utilice gasolina, bencina, diluyente de pintura, polvo para pulir o líquidos insecticidas, ya que puede cambiar de color y/o deformarse
- No permita que se moje la unidad interior. Puede provocar una descarga eléctrica o fuego.
- No frote firmemente cuando lave el aspa con agua. El sellado de la superficie se podría desprender.
- No use agua o aire a 50°C o más para limpiar los filtros de aire y los paneles exteriores.
- Revise que el panel frontal esté firme en su posición.

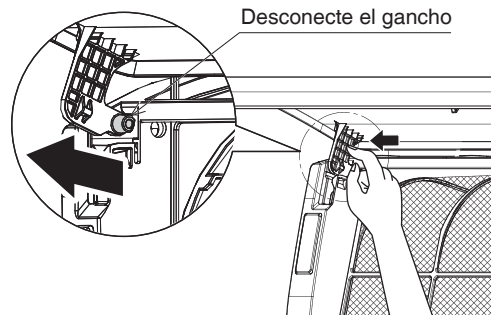
1. Abra el panel frontal.

Coloque los dedos sobre las salientes del panel, del lado izquierdo y derecho de la unidad, y abra hasta que se detenga el panel. (Siga el mismo procedimiento para el cierre.)



2. Retire el panel frontal.

Deslice el panel frontal a la izquierda o a la derecha y jálalo hacia usted y retírelo.



3. Limpie el panel frontal.

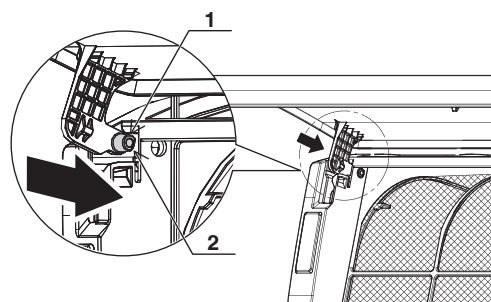
- Limpie suavemente con un paño suave húmedo.
- Utilice únicamente agentes de limpieza neutros.
- Una vez lavado, elimine el exceso de agua y seque a la sombra.

• Cuando está muy sucio

Aplique directamente el tipo de detergente usado para limpiar los ventiladores de ventilación u hornos, espere 10 minutos, y luego enjuague con agua.

NOTA

- No lave el equipo de aire acondicionado con agua caliente a más de 50°C, porque puede producirse decoloración o deformación.
- ### 4. Instale el panel frontal.
- Coloque los ganchos del panel frontal en las ranuras y presiónelos hasta el fondo. Cierre lentamente el panel frontal en este estado.



1. Gancho

2. Ranura

ÍNDICE

1. PRECAUÇÕES DE SEGURANÇA	1
2. NOME DAS PEÇAS.....	4
3. COMO REGULAR O ÂNGULO DE DIREÇÃO DO VENTILADOR HORIZONTAL.....	5
4. MANUTENÇÃO (PARA PESSOAL DA ASSISTÊNCIA).....	5

As instruções originais estão escritas em inglês. Todos os outros idiomas são traduções das instruções originais.

Informações importantes sobre o gás refrigerante utilizado

Este produto contém gases fluorados com efeito de estufa, abrangidos pelo Protocolo de Quioto.

Tipo de gás refrigerante	R410A
Valor GWP ⁽¹⁾	1975

⁽¹⁾GWP = potencial de aquecimento global

Pode ser necessário realizar inspeções periódicas para detectar fugas do gás refrigerante, face à legislação europeia ou nacional em vigor. Contate nosso representante local para obter mais informações.

1. PRECAUÇÕES DE SEGURANÇA

Leia atentamente o presente manual de operação antes de utilizar o aparelho, para desfrutar ao máximo das funções do ar-condicionado e para evitar mau funcionamento devido à utilização incorreta.

Leia as precauções atentamente para evitar o uso indevido do equipamento.

Este produto vem sob o termo “aparelhos não acessíveis ao público em geral”.


Este dispositivo deve ser utilizado por profissionais ou usuários treinados em lojas, indústrias leves e em fazendas, ou para utilização comercial por usuários não especializados.


Este dispositivo pode ser utilizado por crianças a partir dos 8 anos de idade e por pessoas com capacidade física, sensorial ou mental reduzida ou com falta de experiência e conhecimento caso estejam sob supervisão ou caso tenham recebido instruções relativas à utilização do dispositivo de forma segura e compreendam os perigos envolvidos. As crianças não devem brincar com o dispositivo. A limpeza e a manutenção pelo usuário só devem ser efetuadas pelas pessoas descritas no manual.

Este aparelho não se destina a utilização por crianças ou pessoas incapazes de operar unidades de ar-condicionado sem acompanhamento.

Podem resultar em lesões ou choques elétricos.

- **Este manual classifica as precauções como ADVERTÊNCIA E CUIDADO. Certifique-se de seguir todas as precauções abaixo: Todas elas são importantes para garantir a sua segurança.**
- **Há dois tipos de precaução de segurança e dicas relacionadas a seguir.**

 **ADVERTÊNCIA** Indica uma situação potencialmente perigosa que, se não for evitada, poderá levar à morte ou lesões graves.

 **PRECAUÇÃO** Indica uma situação potencialmente perigosa que se não for evitada poderá acarretar lesões leves ou moderadas. Também pode ser utilizada para alertar contra práticas inseguras.

- **Após a leitura mantenha este manual em um lugar onde você possa ler a qualquer momento, sempre que necessário. Se o equipamento for transferido para um novo usuário certifique-se de entregar o manual.**

ADVERTÊNCIA

Desligue a corrente elétrica do aparelho de ar-condicionado e contate o seu revendedor local se o aparelho não estiver funcionando adequadamente (com cheiro de queimado, etc.).

Uma operação contínua nestas condições pode resultar em avaria, choque elétrico ou fogo.

Consulte seu revendedor local sobre modificações, reparos e manutenção do aparelho de ar-condicionado.

Um trabalho inadequado pode resultar em vazamento de água, choque elétrico ou fogo.

Não usar qualquer fusível com capacidade inadequada.

Não utilize fusíveis, fios de cobre ou outros fios elétricos inadequados como substitutos, pois isso pode resultar em choque elétrico, fogo, lesões ou danos ao aparelho de ar-condicionado.

Consulte seu revendedor local se o aparelho de ar-condicionado ficar submerso devido a um desastre natural, como uma inundação ou furacão.

Neste caso, não opere o aparelho de ar-condicionado para não causar nenhuma falha, choque elétrico ou fogo.

Não inicie ou interrompa a operação do aparelho de ar-condicionado sem que o disjuntor de suprimento de energia esteja na posição ON ou OFF.

Caso contrário, poderá resultar em fogo ou vazamento de água.

Além disso, o ventilador começará a girar abruptamente se uma compensação de falha de energia for ativada, o que pode ocasionar acidentes.

Não utilize o aparelho de ar-condicionado em um ambiente contaminado com vapores de óleo, como óleo de cozinha ou vapores de óleos de máquinas.

O vapor de óleo pode causar rachaduras no aparelho de ar-condicionado, choque elétrico ou fogo.

Não utilize materiais inflamáveis (ex., spray para cabelo ou inseticidas) próximo ao aparelho de ar-condicionado.

Não limpe o ar condicionado com solventes orgânicos tais como diluentes de tinta.

O uso de solventes orgânicos pode causar rachaduras no aparelho de ar-condicionado, choque elétrico ou incêndio.

Não utilize o aparelho de ar-condicionado em locais com fumaça excessiva, como em cozinhas, ou em locais com gás inflamável, gás corrosivo ou poeiras metálicas.

Utilizar o aparelho de ar-condicionado nesses tipos de locais pode causar fogo ou avaria no aparelho.

Tenha cuidado para evitar incêndios em caso de vazamento do gás refrigerante.

Se o aparelho de ar-condicionado não estiver funcionando corretamente, isto é, não estiver gerando ar frio ou quente, o vazamento do gás refrigerante pode ser a causa.

Consulte o seu revendedor local e solicite assistência.

O gás refrigerante utilizado no aparelho de ar-condicionado é seguro e, normalmente, não apresenta vazamentos. No entanto, se ocorrer um vazamento do gás refrigerante e se este entrar em contato com uma chama, aquecedor ou fogão, poderá originar compostos perigosos. Desligue o aparelho de ar-condicionado e ligue para o revendedor local. Ligue o aparelho depois que o técnico especializado confirmar que o vazamento foi reparado.

Não insira o seu dedo, objetos cilíndricos, etc. na entrada de ar ou tomada.

As lâminas do ventilador girando em alta velocidade podem provocar ferimentos.

Consulte seu revendedor local para saber como limpar o interior do aparelho de ar-condicionado.

Limpeza inadequada pode fazer que as peças plásticas se quebrem ou causem vazamentos de água ou choque elétrico.

Evite a exposição prolongada direta ao ar frio ou quente do aparelho de ar-condicionado. Você deve evitar ainda um ar muito frio ou muito quente que possa prejudicar sua saúde ou sua condição física.

Peça ao seu revendedor local para instalar o aparelho de ar-condicionado.

Caso você mesmo efetue a instalação poderá ocorrer um vazamento, choque elétrico ou fogo.

Para a instalação de partes e acessórios contate um profissional especializado e certifique-se de usar somente os acessórios especificados pelo fabricante.

Se ocorrer um defeito na instalação que você mesmo realizou, poderá acarretar vazamento de água, choque elétrico ou incêndio.

Contate seu revendedor local para relocação e reinstalação do aparelho de ar-condicionado.

Um trabalho de instalação inadequada pode resultar em vazamento de água, choque elétrico ou incêndio.

Assegure-se de aterrar o aparelho de ar-condicionado.

Não aterra o aparelho de ar-condicionado à tubulação, condutores de iluminação ou à linha terra telefônica.

Um aterramento inadequado pode resultar em choque elétrico ou fogo.

Um pico de alta corrente produzido por raios ou por outras fontes pode causar danos ao aparelho de ar-condicionado.

Assegure-se de instalar um disjuntor de fuga para a terra.

Pode ocorrer um choque elétrico ou fogo se não houver um disjuntor de fuga para a terra.

Certifique-se de utilizar um suprimento de energia exclusivo para o aparelho de ar-condicionado.

O uso de qualquer outra fonte de energia pode causar geração de calor, fogo ou falhas no aparelho de ar-condicionado.

Em caso de vazamento de gás refrigerante, consulte o seu revendedor local.

Se o aparelho de ar-condicionado for instalado em uma sala pequena, será necessário tomar medidas eficazes para que a quantidade de gás refrigerante não ultrapasse os limites de concentração em caso de vazamento. Se o gás refrigerante vazar excedendo o nível de concentração limite poderá ocorrer um acidente devido à diminuição de oxigênio.

⚠ PRECAUÇÃO

As crianças devem ser vigiadas para garantir que não brinquem com a unidade interna nem com o controle remoto.

A utilização acidental por uma criança pode resultar em lesões ou choque elétrico.

Não permita que uma criança suba na unidade exterior e evite colocar qualquer objeto sobre a unidade.

Cair ou tropeçar pode acarretar lesões.

Não deixe que crianças brinquem na unidade exterior ou em volta dela.

Um toque descuidado na unidade pode causar ferimentos.

Não exponha crianças, plantas ou animais diretamente ao fluxo de ar da unidade interna, pois poderá ocorrer um impacto adverso.

Não coloque sprays inflamáveis ou latas de spray próximo do aparelho de ar-condicionado, pois poderá causar fogo.

Não lave o aparelho de ar-condicionado ou o controle remoto com água, pois isto pode resultar em choque elétrico ou fogo.

Não coloque recipientes com água (vasos de flores, etc.) na unidade interna; pode causar choque elétrico ou fogo.

Não coloque recipientes inflamáveis, tais como latas de spray, no raio de 1 m da saída de ar.

O ar quente que sai das unidades interna ou externa poderá afetar os recipientes causando uma explosão.

Desligue o interruptor de energia principal quando o aparelho de ar-condicionado não for usado por períodos prolongados.

Quando o interruptor de energia principal é deixado na posição ON (LIGADO), alguma energia elétrica (watts) ainda é consumida, mesmo se o aparelho de ar-condicionado não estiver operando. Desse modo, desligue o interruptor de energia principal para economizar energia.

Ao reiniciar a operação, para garantir um funcionamento estável, ligue o interruptor de energia principal 6 horas antes de operar novamente o aparelho de ar-condicionado.

Não coloque objetos perto da unidade exterior, nem deixe que junto dela se acumulem folhas ou outros detritos.

As folhas acumuladas são um refúgio para animais pequenos, que podem entrar na unidade. Dentro da unidade, estes animais podem provocar avarias, fumaça ou fogo, ao entrar em contato com os componentes elétricos.

Antes de efetuar a limpeza, certifique-se de desligar o aparelho de ar-condicionado, acionando o respectivo disjuntor.

Do contrário, choque elétrico e acidentes poderão ocorrer.

Não operar o aparelho de ar-condicionado com as mãos molhadas.

Poderá ocorrer um choque elétrico.

Nunca toque nas partes internas do controle remoto.

Tocar certas partes internas provocará choque elétrico e danos ao controle remoto. Consulte o revendedor local sobre inspeções e ajustes das peças internas.

Quando o ar condicionado for utilizado em conjunto com equipamentos como um fogareiro, certifique-se de que o local esteja bem ventilado, para evitar diminuição de oxigênio.

Não deixe o controle remoto onde houver risco de ficar molhado.

Se a água penetrar no controle remoto, haverá o risco de perda de energia e danos aos componentes eletrônicos.

Tomar cuidado quando da limpeza ou inspeção do filtro de ar.

Você está trabalhando em um local elevado e, portanto, tome o máximo cuidado.

Caso o andaime seja instável há o perigo de cair ou virar, resultando em ferimentos.

Não remova a grade lateral de saída da unidade externa.

A grade protege contra o ventilador de alta velocidade da unidade, que pode provocar lesões.

Para evitar ferimentos, não toque na entrada de ar nem nas aletas de alumínio do aparelho de ar-condicionado.

Não coloque objetos que podem ser danificados pela umidade debaixo da unidade interna e que podem ser danificados pela água.

Sob certas condições, a condensação na unidade ou na tubulação do gás refrigerante, sujeira no filtro de ar ou obstrução do dreno podem causar gotejamento, resultando em entupimento ou avaria do objeto em questão.

Não coloque aquecedores diretamente abaixo da unidade interna, pois o calor resultante poderá causar deformação.

Não coloque aparelhos que produzam chama viva em um lugar exposto ao fluxo de ar do aparelho de ar-condicionado, pois poderá dificultar a combustão do fogareiro.

Não bloqueie as entradas ou saídas de ar.

O fluxo de ar obstruído pode reduzir o rendimento ou causar problemas.

Não use o aparelho de ar-condicionado para outros fins.

Não use o aparelho de ar-condicionado para uma aplicação especial tal como armazenamento de alimentos, animais e plantas, máquinas de precisão e objetos de arte. Se o fizer poderá afetar o desempenho, qualidade e/ou vida útil do objeto em questão.

Não instale o aparelho de ar-condicionado em um local onde possa haver o perigo de vazamento de gás inflamável.

No caso de escapamento de gás, o acúmulo de gás próximo ao aparelho de ar-condicionado poderá resultar em fogo.

A tubulação de drenagem deve estar adequadamente instalada para garantir uma drenagem completa.

Se a tubulação de drenagem não estiver bem instalada, a drenagem não irá fluir para fora. Depois, pode acumular terra e detritos no tubo de drenagem e ocorrer vazamento de água. Se isto acontecer, desligue o aparelho de ar-condicionado e contate o seu revendedor local para prestar assistência.

Após o uso prolongado, verifique o suporte da unidade e sua montagem em busca de algum possível dano.

Se deixada danificada, a unidade poderá cair e causar um acidente.

Não sente ou coloque objetos sobre a unidade externa.

Caso você caia ou objetos caiam poderá ocorrer um acidente.

Certifique-se de que o controle remoto não fique exposto à luz solar direta.

Isso causará descoloração do visor LCD resultando em perda de visibilidade.

Não limpe o painel do controle com benzina ou outro solvente orgânico.

Isso causará descoloração e/ou descascamento.

Se o painel precisar de limpeza, passe um pano úmido com um detergente neutro diluído em água.

Depois limpe com um pano seco.

Nunca toque nas partes internas do controlador.

Não remova o painel frontal. Tocar em certas partes internas pode causar choque elétrico e danos à unidade. Consulte seu revendedor sobre verificação e ajuste das partes internas.

Nunca pressione os botões do controle remoto com objetos duros ou pontudos.

Não puxe ou torça o fio do controle remoto.

Isso poderá causar mau funcionamento.

Não opere o aparelho de ar-condicionado quando usar um inseticida para dedetização do ambiente.

Produtos químicos para dedetização depositados na unidade podem representar um perigo para a saúde de pessoas hipersensíveis a esses produtos químicos.

Não coloque fogareiros ou aquecedores em locais expostos ao fluxo de ar da unidade, já que isso poderá prejudicar a combustão do fogareiro ou aquecedor.

Tenha cuidado ao utilizar andaimes e fique atento ao trabalhar em locais elevados.

Não opere com a tampa do painel de controle aberta.

Se a água penetrar no painel de controle poderá acarretar falha no equipamento ou choque elétrico.

Não coloque sprays inflamáveis próximos à unidade, pois poderá ocorrer uma explosão.

Instale a mangueira do dreno de modo a assegurar uma drenagem estável.

Uma drenagem incorreta poderá ocasionar vazamentos.

Instale a mangueira do dreno de modo a assegurar uma drenagem estável.

Uma drenagem incorreta poderá ocasionar vazamentos atingindo o prédio, móveis, etc.

LOCAL DE INSTALAÇÃO

Locais adequados para instalação

- O aparelho de ar-condicionado está instalado em um local bem ventilado sem obstáculos à volta?
- Não use o aparelho de ar-condicionado nos seguintes locais.
 - a. Com alta concentração de óleo mineral, como fluidos de corte
 - b. Onde houver muito sal devido à proximidade do mar
 - c. Onde houver gás sulfuroso, como em estações de águas termais
 - d. Onde houver fortes oscilações de voltagem, como em uma fábrica ou planta
 - e. Veículos e embarcações
 - f. Onde houver alta concentração de óleo e vapor, como em cozinhas, etc.
 - g. Onde houver máquinas gerando ondas eletromagnéticas
 - h. Concentração de fumaça ou vapor ácido e/ou alcalino
- Foi adotada alguma medida de proteção contra neve? Para mais detalhes, consulte seu revendedor local sobre coberturas para proteção contra a neve, etc.

Instalação elétrica

- Toda a instalação deve ser realizada por profissional qualificado. Para a instalação elétrica, solicite instruções ao seu revendedor local. Nunca faça sozinho.
- **Certifique-se da existência de um circuito de suprimento de energia separado para este aparelho de ar-condicionado e que todo o trabalho de instalação elétrica seja realizado por profissional qualificado de acordo com as leis e regulamentações locais.**

Preste atenção também à presença de ruídos

- Os lugares a seguir foram selecionados?
 - a. Um local que possa suportar suficientemente o peso do aparelho de ar-condicionado sem ocasionar ruído ou vibrações.
 - b. Um local onde a descarga de ar quente de saída da unidade externa e os ruídos não causem perturbação aos vizinhos.
- **Tem certeza de que não há obstáculos próximos à saída do ar da unidade externa?** Tais obstáculos podem ocasionar uma diminuição do desempenho e aumento do ruído existente.
- **Se ruídos anormais forem observados durante o uso, interrompa a operação do aparelho de ar-condicionado e consulte seu revendedor local.**

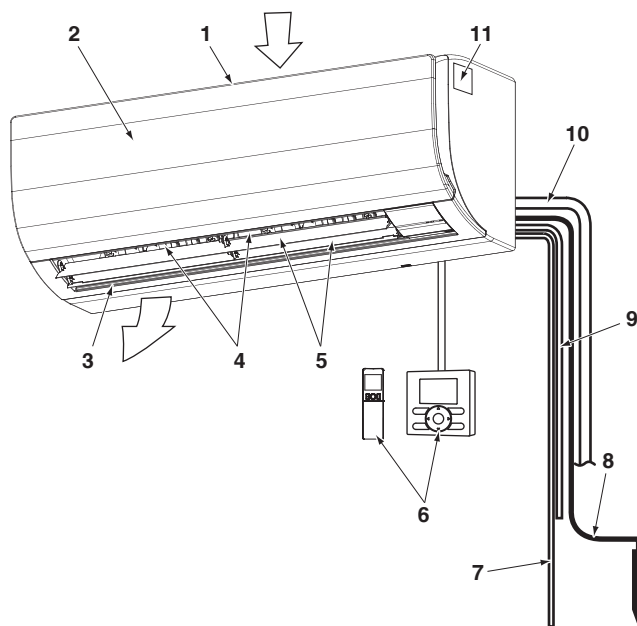
Relocação do sistema

- Consulte seu revendedor Daikin sobre reformas e relocações.

Drenagem da tubulação do dreno

- **A tubulação do dreno foi instalada adequadamente para assegurar uma drenagem completa?** Se a tubulação do dreno não for instalada adequadamente, sujeira e detritos podem se acumular na tubulação, causando vazamento de água. Se isso ocorrer, interrompa o funcionamento do aparelho de ar-condicionado e procure assistência técnica junto ao seu revendedor local.

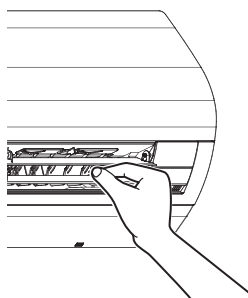
2. NOME DAS PEÇAS



1	Entrada de ar (Topo da unidade)
2	Filtro de ar (Sob o painel)
3	Saída de ar
4	Aletas verticais (aletas de ajuste da direção da saída de ar horizontal-manual)
5	Aletas horizontais (aletas de ajuste da direção da saída de ar vertical-automático)
6	Controle remoto
7	Sistema de alimentação elétrica
8	Fio terra Conduz eletricidade da unidade à terra para evitar choques elétricos.
9	Tubo de drenagem
10	Fiação da transmissão do tubo de refrigerante
11	Placa de identificação (Nome do modelo da unidade interna)

3. COMO REGULAR O ÂNGULO DE DIREÇÃO DO VENTILADOR HORIZONTAL

Segure as guias nas bordas das aletas verticais (aletas de ajuste da direção da saída de ar horizontal) ligeiramente para baixo e regule para a esquerda e direita para adequar-se às condições da área ou às suas preferências.



Pare as lâminas horizontais na posição em que deseja fixar as abas e ajuste à esquerda ou direita.

4. MANUTENÇÃO (PARA PESSOAL DA ASSISTÊNCIA)

⚠️ ADVERTÊNCIA

- Somente uma pessoa habilitada poderá realizar trabalhos de manutenção, salvo a manutenção diária.
- Antes de tocar em qualquer dos cabos de ligação, certifique-se de desligar todas as chaves de alimentação elétrica.
- Contate técnicos profissionais para a ligação ou fixação de acessórios e assegure-se de usar somente acessórios especificados pelo fabricante. Trabalhos realizados por conta própria poderão causar vazamentos de água, choque elétrico ou fogo.
- Não use materiais inflamáveis (por exemplo, latas de spray de cabelo ou inseticida) próximos ao produto. Não limpe o produto com solventes orgânicos tais como solvente de tinta.

O uso de solventes orgânicos poderá causar rachaduras no produto, choque elétrico ou fogo.

- Consulte seu revendedor a respeito da limpeza interna do ar condicionado.

Uma limpeza inadequada pode causar a quebra de partes plásticas, vazamento de água e outros danos, assim como choques elétricos.

⚠️ PRECAUÇÃO

- Antes de limpar, certifique-se de interromper o funcionamento da unidade e desligar o disjuntor de energia ou retirar o cabo de alimentação. Caso contrário, podem ocorrer choques elétricos ou acidentes.
- Não lave o aparelho de ar condicionado com água, pois isto pode resultar em choque elétrico ou fogo.
- Tome cuidado quando da limpeza ou inspeção do filtro de ar.

Quando for necessário trabalhar em local elevado tome o máximo cuidado.

Se o andaime for instável, poderá cair ou virar, resultando em acidentes.

NOTA

- Não retire o filtro de ar, salvo para limpeza. Se o fizer, poderá provocar avarias.

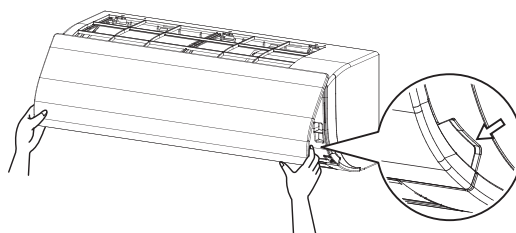
COMO LIMPAR O FILTRO DE AR

Limpe o filtro de ar quando aparecer no visor o sinal “” (HORA DE LIMPAR O FILTRO DE AR).

- Isto será visualizado depois de a unidade funcionar durante algum tempo.
- Aumente a frequência de limpeza se a unidade estiver instalada em uma área onde o ar seja extremamente contaminado.
- Se a sujeira se tornar impossível de limpar, troque o filtro de ar (O filtro de ar para troca é opcional).

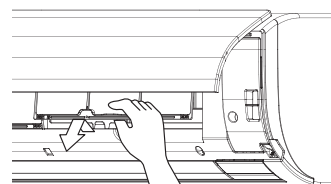
1. Abra o painel frontal.

Coloque os dedos nas saliências nos lados esquerdo e direito da unidade e abra até o painel parar (Observe o mesmo procedimento para fechar).



2. Retire o filtro de ar.

Pressione ligeiramente a aba no centro do filtro de ar e depois puxe-o para baixo.



3. Limpe o filtro de ar .

Use um aspirador de pó **A)** ou lave o filtro de ar com água **B)**.

A) Utilização de um aspirador de pó



B) Lavagem com água

Se o filtro de ar estiver muito sujo, utilize uma escova macia e detergente neutro.



Retire a água e deixe secar à sombra.

NOTA

- Não lave o filtro de ar com água quente acima de 50°C, se o fizer poderá resultar em descoloração e/ou deformação.
- Não o exponha ao fogo, caso contrário, poderá provocar queimaduras.

4. **Prenda o filtro de ar.**
Após conclusão da limpeza, volte a colocar o filtro como estava anteriormente.
5. **Feche o painel frontal.**
Consulte o item nº1.
6. **Pressione o botão REAJUSTE DO AVISO DO FILTRO no controle remoto.**
A mensagem "HORA DE LIMPAR O FILTRO DE AR" desaparece.

COMO LIMPAR A SAÍDA DE AR E A PARTE EXTERNA

- Limpe com um pano macio.
- Caso seja difícil retirar as manchas, use água e detergente neutro.

NOTA

- Não use gasolina, benzeno, solvente, pó de polimento ou inseticida líquido. Isso poderá causar descoloração ou empenamento.
- Para limpar os filtros de ar não utilize água ou ar a uma temperatura acima de 50°C.
- Quando a aleta estiver extremamente suja, remova e limpe ou troque a lâmina.
(A aleta substituta é uma peça de serviço).

COMO LIMPAR O PAINEL FRONTAL

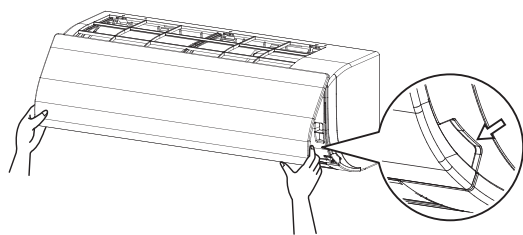
Você pode retirar o painel frontal para limpeza.

NOTA

- Segure-o com firmeza para não deixá-lo cair.
- Não use gasolina, benzina, solvente, pó de polimento ou inseticida líquido. Isso poderá causar descoloração ou empenamento.
- Não deixe a unidade interna ficar molhada. Isso poderá causar um choque elétrico ou fogo.
- Não esfregue muito forte ao limpar a lâmina com água. A vedação da superfície pode descascar.
- Não use água ou ar a 50°C ou mais para limpar filtros de ar e painéis externos.
- Certifique-se de que o painel esteja firmemente instalado.

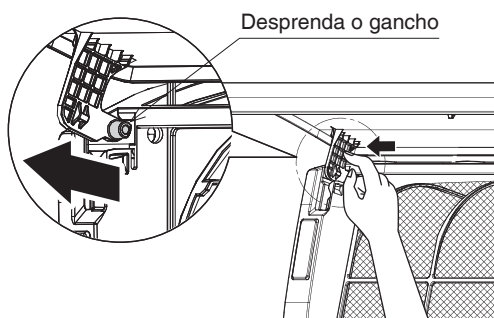
1. Abra o painel frontal.

Coloque os dedos nas saliências nos lados esquerdo e direito da unidade e abra até o painel parar (Observe o mesmo procedimento para fechar).



2. Retire o painel frontal.

Desloque o painel frontal para a esquerda ou direita e puxe-o em sua direção para removê-lo.



3. Limpe o painel frontal.

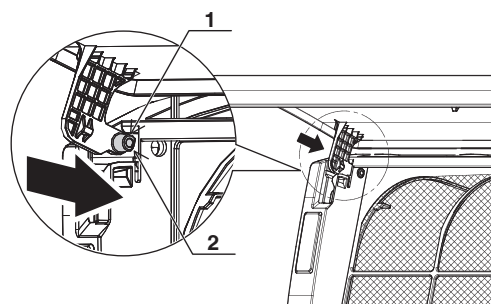
- Limpe cuidadosamente com um pano macio e úmido.
- Utilize exclusivamente agentes de limpeza neutros.
- Depois de lavar, retire a água em excesso e seque em um local com sombra.
- **Quando muito sujo**
Aplique diretamente o tipo de detergente usado para limpar ventiladores ou fornos, espere 10 minutos e, depois, enxágue com água.

NOTA

- Não lave o aparelho de ar-condicionado com água quente a uma temperatura superior a 50°C. Se o fizer, ele poderá descolorir ou deformar.

4. Prenda o painel frontal.

Coloque os ganchos do painel frontal nas ranhuras e empurre-os completamente.
Feche lentamente o painel frontal neste estado.



1. Gancho
2. Ranhura

DAFTAR ISI

1. TINDAKAN KEWASPADAAN TERKAIT KESELAMATAN	1
2. NAMA KOMPONEN	4
3. CARA MENYESUAIKAN SUDUT ARAH KIPAS HORIZONTAL	5
4. PEMELIHARAAN (UNTUK PETUGAS SERVIS)	5

Petunjuk asli ditulis dalam bahasa Inggris. Semua bahasa lainnya adalah terjemahan dari petunjuk aslinya.

Informasi penting mengenai refrigeran yang digunakan

Produk ini berisi gas rumah kaca fluorinasi yang diatur oleh Kyoto Protocol.

Jenis refrigeran	R410A
Nilai GWP ⁽¹⁾	1975

⁽¹⁾GWP = Global Warming Potential (Potensi Pemanasan Global)

Mungkin diperlukan pemeriksaan berkala untuk kebocoran refrigeran, bergantung pada peraturan setempat atau Eropa. Hubungi dealer di daerah Anda untuk informasi lebih lanjut.

1. TINDAKAN KEWASPADAAN TERKAIT KESELAMATAN

Untuk mendapatkan manfaat sepenuhnya dari berbagai fungsi pendingin ruangan dan untuk menghindari malfungsi akibat kesalahan penanganan, bacalah petunjuk pengoperasian ini dengan saksama sebelum menggunakan. Bacalah tindakan kewaspadaan secara saksama untuk menghindari kesalahan penggunaan peralatan. Produk ini termasuk dalam kategori "perangkat yang tidak dapat ditangani oleh orang awam".

Perangkat ini dimaksudkan untuk digunakan oleh pengguna yang ahli atau terlatih di toko, di industri ringan, dan di perkebunan, atau untuk penggunaan komersial oleh orang pada umumnya.

Perangkat ini dapat digunakan oleh anak-anak yang berusia 8 tahun ke atas dan orang yang memiliki keterbatasan fisik, indera, atau kemampuan mental, atau tidak memiliki pengalaman dan pengetahuan jika mereka diberikan pengawasan atau petunjuk mengenai penggunaan perangkat secara aman dan memahami bahayanya. Anak-anak tidak boleh bermain-main dengan perangkat. Pembersihan dan pemeliharaan oleh pengguna hanya boleh dilakukan oleh orang-orang yang dijelaskan dalam panduan ini.

Perangkat ini tidak dimaksudkan untuk digunakan oleh anak-anak atau orang yang tidak memiliki kemampuan untuk mengoperasikan pendingin ruangan tanpa pengawasan.

Ini dapat mengakibatkan cedera atau sengatan listrik.

- Panduan ini menggolongkan tindakan kewaspadaan ke dalam PERINGATAN dan WASPADA. Pastikan untuk mengikuti semua tindakan kewaspadaan di bawah ini: **Semuanya penting untuk memastikan keselamatan.**
- Ada dua macam tindakan kewaspadaan dan anjuran yang dicantumkan berikut ini.

⚠ PERINGATAN ..Menunjukkan situasi yang bisa membahayakan yang, jika tidak dihindari, dapat mengakibatkan kematian atau cedera serius.

⚠ WASPADA.....Menunjukkan situasi yang bisa membahayakan yang, jika tidak dihindari, dapat mengakibatkan cedera ringan atau sedang. Ini juga dapat digunakan untuk memperingatkan terhadap praktik yang tidak aman.

- Setelah membaca, simpan panduan ini di tempat yang praktis sehingga Anda dapat melihatnya kapan saja diperlukan. Jika peralatan dialihkan ke pengguna baru, pastikan juga untuk menyerahkan panduannya.

⚠ PERINGATAN

Bila pendingin ruangan mengalami malfungsi (mengeluarkan bau terbakar, dll.) matikan pendingin ruangan dan hubungi dealer di daerah Anda.

Pengoperasian terus-menerus dalam keadaan seperti itu dapat mengakibatkan kerusakan, sengatan listrik atau kebakaran.

Tanyakan kepada dealer di daerah Anda mengenai modifikasi, perbaikan, dan pemeliharaan pendingin ruangan.

Pengerjaan yang salah dapat mengakibatkan kebocoran air, sengatan listrik atau kebakaran.

Pastikan untuk menggunakan sekering dengan nilai amper yang benar.

Jangan menggunakan sekering yang salah, tembaga, atau kawat lain sebagai penggantinya, karena hal ini dapat mengakibatkan sengatan listrik, cedera, atau kerusakan pada pendingin ruangan.

Tanyakan kepada dealer di daerah Anda apakah pendingin ruangan akan tenggelam jika terjadi bencana alam seperti banjir atau topan.

Jangan mengoperasikan pendingin ruangan dalam keadaan demikian karena dapat mengakibatkan malfungsi, sengatan listrik, atau kebakaran.

Jangan memulai atau menghentikan pengoperasian pendingin ruangan dengan pemutus catu daya dalam keadaan HIDUP atau MATI.

Jika tidak, hal itu dapat mengakibatkan kebakaran atau kebocoran air.

Terlebih, kipas akan berputar mendadak jika kompensasi listrik mati diaktifkan, yang dapat mengakibatkan cedera.

Jangan gunakan pendingin ruangan ini di udara yang tercemar uap minyak, seperti minyak goreng atau uap minyak mesin.

Uap minyak dapat menyebabkan kerusakan berat pada pendingin ruangan, sengatan listrik, atau kebakaran.

Jangan menggunakan bahan yang mudah terbakar (mis., hairspray atau obat pembasmi serangga) di dekat pendingin ruangan.

Jangan membersihkan pendingin ruangan dengan bahan pelarut organik seperti minyak cat.

Penggunaan bahan pelarut organik dapat menyebabkan kerusakan pada pendingin ruangan, sengatan listrik, atau kebakaran.

Jangan gunakan pendingin ruangan di tempat-tempat yang terdapat asap minyak berlebihan, seperti di dapur, atau di tempat yang terdapat gas yang mudah terbakar, gas korosif, atau debu logam.

Penggunaan pendingin ruangan di tempat demikian dapat menyebabkan kebakaran atau kerusakan pendingin ruangan.

Waspadalah terhadap kebakaran jika terjadi kebocoran refrigeran.

Jika pendingin ruangan tidak beroperasi dengan benar, yaitu tidak menghasilkan udara dingin atau hangat, kebocoran refrigeran dapat menjadi penyebabnya. Tanyakan kepada dealer di daerah Anda untuk mendapatkan bantuan. Refrigeran yang digunakan untuk pendingin ruangan aman dan biasanya tidak bocor. Meski demikian, jika terjadi kebocoran refrigeran dan mengenai kompor yang menyala, pemanas, atau penanak nasi, hal ini dapat menimbulkan senyawa berbahaya. Matikan pendingin ruangan dan hubungi dealer di daerah Anda. Nyalakan pendingin ruangan setelah petugas servis yang berkompeten memastikan bahwa kebocoran telah diperbaiki.

Jangan meletakkan benda, termasuk batang kayu, jari Anda, dll., di saluran masuk atau saluran keluar udara.

Bisa cedera bila terkena bilah kipas pendingin ruangan yang berkecepatan tinggi.

Tanyakan kepada dealer di daerah Anda mengenai pembersihan bagian dalam pendingin ruangan.

Pembersihan yang salah dapat menyebabkan kerusakan komponen plastik, kebocoran air, dan kerusakan lainnya, termasuk sengatan listrik.

Ketahui bahwa terkena udara dingin atau hangat dari pendingin ruangan secara langsung dalam waktu lama, atau dengan udara yang terlalu dingin atau terlalu hangat dapat membahayakan kondisi fisik dan kesehatan Anda.

Tanyakan kepada dealer di daerah Anda tentang pekerjaan pemasangan.

Mengerjakannya sendiri dapat mengakibatkan kebocoran air, sengatan listrik atau kebakaran.

Hubungi petugas yang profesional untuk pemasangan aksesoris dan pastikan untuk menggunakan aksesoris yang ditentukan oleh pabrikan saja.

Jika terjadi kerusakan akibat mengerjakan sendiri, hal itu dapat mengakibatkan kebocoran air, sengatan listrik, atau kebakaran.

Tanyakan kepada dealer di daerah Anda mengenai relokasi dan pemasangan pendingin ruangan.

Pekerjaan pemasangan yang tidak benar dapat mengakibatkan kebocoran, sengatan listrik atau kebakaran.

Pastikan untuk menghubungkan arde pendingin ruangan.

Jangan menghubungkan arde pendingin ruangan ke pipa utilitas, kawat penangkal petir atau kawat arde telepon. Arde yang tidak benar dapat mengakibatkan sengatan listrik atau kebakaran.

Lonjakan arus yang tinggi akibat petir atau sumber arus lainnya dapat menyebabkan kerusakan pada pendingin ruangan.

Pastikan untuk memasang pemutus tenaga bocoran arde.

Tidak memasang pemutus tenaga bocoran arde dapat mengakibatkan sengatan listrik atau kebakaran.

Pastikan untuk menggunakan catu daya yang dikhususkan untuk pendingin ruangan.

Penggunaan catu daya lain dapat menyebabkan timbulnya panas, kebakaran, atau kerusakan pendingin ruangan.

Tanyakan kepada dealer di daerah Anda tentang apa yang harus dilakukan jika terjadi kebocoran refrigeran.

Bila pendingin ruangan dipasang di ruangan kecil penting untuk melakukan langkah-langkah pencegahan yang memadai sehingga jumlah refrigeran yang bocor tidak melebihi batas konsentrasi jika terjadi kebocoran. Jika tidak maka hal ini dapat menyebabkan terjadinya kecelakaan karena kekurangan oksigen.



WASPADA

Anak-anak harus diawasi agar mereka tidak bermain dengan unit dalam-ruang atau remote-control-nya.

Pengoperasian yang tidak disengaja oleh anak-anak dapat mengakibatkan cedera atau sengatan listrik.

Jangan biarkan anak-anak menduduki unit luar-ruang atau hindari meletakkan benda apa pun di atasnya.

Jatuh atau terguling dapat mengakibatkan cedera.

Jangan biarkan anak-anak bermain di atas atau di sekitar unit luar-ruang.

Jika mereka menyentuh unit tidak dengan hati-hati, maka dapat menyebabkan cedera.

Pastikan anak-anak, tanaman, atau hewan tidak terkena langsung aliran udara dari unit dalam-ruang, karena dapat menimbulkan efek yang merugikan.

Jangan meletakkan semprotan atau menggunakan kaleng semprotan di dekat pendingin ruangan karena hal ini dapat mengakibatkan kebakaran.

Jangan mencuci pendingin ruangan atau remote-control dengan air, karena dapat mengakibatkan sengatan listrik atau kebakaran.

Jangan meletakkan wadah air (vas bunga, dll.) di atas unit dalam-ruang, karena dapat mengakibatkan sengatan listrik atau kebakaran.

Jangan meletakkan wadah yang mudah terbakar, seperti kaleng semprotan, dalam jarak 1 m dari keluaran udara.

Wadah tersebut dapat meledak karena udara hangat dari unit dalam-ruang atau unit luar-ruang akan memengaruhinya.

Matikan sakelar daya utama bila pendingin ruangan tidak akan digunakan dalam jangka waktu lama.

Bila sakelar daya utama dibiarkan hidup, sebagian daya listrik (watt) tetap akan digunakan sekalipun pendingin ruangan tidak beroperasi. Karena itu, matikan sakelar daya utama untuk menghemat energi.

Saat melanjutkan pengoperasian, untuk memastikannya berjalan lancar, hidupkan sakelar daya utama 6 jam sebelum mengoperasikan pendingin ruangan lagi.

Jangan meletakkan benda-benda berdekatan langsung dengan unit luar-ruang dan jangan biarkan daun dan sampah lainnya menumpuk di sekitar unit.

Daun adalah sarang untuk hewan-hewan kecil yang dapat masuk ke unit. Jika masuk ke unit, hewan tersebut dapat menyebabkan malfungsi, asap, atau kebakaran bila bersentuhan dengan komponen listrik.

Sebelum membersihkan, pastikan untuk menghentikan pengoperasian pendingin ruangan dan matikan sakelar pemutus arus listriknya.

Jika tidak maka hal ini dapat mengakibatkan sengatan listrik dan cedera.

Untuk menghindari sengatan listrik, jangan mengoperasikan dengan tangan basah.

Jangan menyentuh komponen bagian dalam remote-control.

Menyentuh komponen bagian dalam tertentu akan menyebabkan sengatan listrik dan kerusakan pada remote-control. Tanyakan kepada dealer di daerah Anda tentang pemeriksaan dan penyesuaian komponen bagian dalam.

Untuk menghindari kekurangan oksigen, pastikan ruangan berventilasi baik jika peralatan seperti kompor digunakan bersamaan dengan pendingin ruangan.

Jangan tinggalkan remote-control di tempat yang berisiko basah.

Jika air masuk ke dalam remote-control maka ada risiko kebocoran listrik dan kerusakan pada komponen.

Perhatikan langkah Anda pada saat membersihkan atau memeriksa filter udara.

Pekerjaan dilakukan di tempat yang tinggi sehingga perlu berhati-hati sekali.

Jika perancah tidak stabil, Anda bisa jatuh atau terpeleset, sehingga menyebabkan cedera.

Jangan melepas kisi-kisi pada bagian keluaran unit luar-ruang.

Kisi-kisi tersebut untuk melindungi terhadap putaran kipas yang sangat cepat, yang dapat menyebabkan cedera.

Untuk menghindari cedera, jangan menyentuh masukan udara atau sirip aluminium pada pendingin ruangan.

Jangan meletakkan benda yang rentan terhadap embun langsung di bawah unit dalam-ruang atau unit luar-ruang.

Dalam kondisi tertentu, pengembunan pada unit atau pipa refrigeran, filter udara yang kotor atau pembuangan tersumbat dapat menyebabkan tetesan air, yang dapat mengotori atau merusak benda tersebut.

Jangan meletakkan pemanas tepat di bawah unit dalam-ruang, karena panas yang dihasilkannya dapat menyebabkan perubahan bentuk.

Jangan meletakkan perangkat yang menghasilkan nyala api di tempat yang terkena aliran udara dari pendingin ruangan karena dapat mengganggu pembakaran pada kompor.

Jangan menghalangi masukan atau keluaran udara.
Gangguan aliran udara dapat mengakibatkan gangguan kinerja atau masalah.

Jangan menggunakan pendingin ruangan untuk tujuan selain dari peruntukannya.

Jangan menggunakan pendingin ruangan untuk tujuan mendinginkan alat ukur presisi, makanan, tanaman, hewan atau karya seni karena dapat berpengaruh buruk pada kinerja, kualitas dan/atau ketahanan benda tersebut.

Jangan memasang pendingin ruangan di tempat yang terdapat bahaya kebocoran gas yang mudah terbakar.

Jika terjadi kebocoran gas, penumpukan gas di dekat pendingin ruangan dapat mengakibatkan kebakaran.

Lakukan pemipaan pembuangan dengan benar untuk memastikan pembuangan yang sempurna.

Jika pemipaan pembuangan tidak dilakukan dengan benar, pembuangan tidak akan mengalir keluar. Kemudian, kotoran dan sampah bisa menumpuk di pipa pembuangan dan menyebabkan kebocoran air. Jika ini terjadi, hentikan pendingin ruangan dan hubungi dealer di daerah Anda untuk mendapatkan bantuan.

Setelah penggunaan jangka panjang, periksa adanya kerusakan pada dudukan unit atau tempat pemasangannya.

Jika dibiarkan dalam keadaan rusak, unit bisa jatuh dan menyebabkan cedera.

Jangan duduk atau meletakkan benda di atas unit luar-ruang.

Anda bisa jatuh atau benda yang jatuh dapat menyebabkan cedera.

Pastikan remote-control tidak terkena cahaya matahari langsung.

Ini akan menyebabkan lunturnya warna layar LCD sehingga mengakibatkannya sulit dibaca.

Jangan mengelap panel kendali dengan benzena atau larutan organik lainnya.

Ini akan menyebabkan warnanya luntur dan/atau terkelupas.

Jika panel perlu dibersihkan, gunakan kain lembap dengan sedikit detergen netral yang diencerkan dengan air. Setelah itu lap dengan kain kering.

Jangan menyentuh komponen bagian dalam remote-control.

Jangan melepas panel depan. Menyentuh komponen bagian dalam tertentu akan menyebabkan sengatan listrik dan kerusakan pada unit.

Tanyakan kepada dealer Anda tentang pemeriksaan dan penyesuaian komponen bagian dalam.

Jangan menggunakan tombol remote-control dengan benda lancip yang keras.

Jangan menarik atau menekuk kabel remote-control.
Ini dapat menyebabkan malfungsi.

Jangan mengoperasikan pendingin ruangan saat menggunakan obat pembasmi serangga jenis asap.

Bahan kimia fumigasi yang terkumpul di unit dapat membahayakan kesehatan orang yang hipersensitif terhadap bahan kimia.

Jangan meletakkan kompor atau pemanas di tempat yang terkena aliran udara dari unit karena dapat mengganggu pembakaran pada kompor atau pemanas.

Perhatikan perancah dan berhati-hatilah saat bekerja di tempat yang tinggi.

Jangan mengoperasikan dengan tutup panel kendali terbuka.

Jika air masuk ke dalam panel kendali, ini dapat mengakibatkan kerusakan peralatan atau sengatan listrik.

Jangan meletakkan semprotan mudah terbakar di dekat unit, karena hal ini dapat menyebabkan ledakan.

Atur selang pembuangan untuk memastikan kelancaran pembuangan.

Pembuangan yang tidak sempurna dapat menyebabkan basah.

Atur selang pembuangan untuk memastikan kelancaran pembuangan.

Pembuangan yang tidak sempurna dapat menyebabkan basahnya bangunan, perabot dll.

TEMPAT PEMASANGAN

Mengenai tempat pemasangan

- Apakah pendingin ruangan dipasang pada tempat yang berventilasi dengan baik, di mana tidak ada penghalang di sekitarnya?
- Jangan menggunakan pendingin ruangan di tempat-tempat berikut.
 - a. Tempat yang dipenuhi minyak mineral seperti minyak bor
 - b. Tempat yang banyak mengandung garam seperti daerah pantai
 - c. Tempat yang terdapat gas sulfur seperti resor mata air panas
 - d. Tempat yang fluktuasi tegangannya besar seperti di pabrik
 - e. Mobil dan kapal
 - f. Tempat yang banyak terdapat uap dan kabut minyak seperti di dapur, dll.
 - g. Tempat yang terdapat mesin-mesin yang menghasilkan gelombang elektromagnetik
 - h. Tempat yang penuh dengan uap atau kabut yang asam dan/atau basa
- Apakah telah diambil tindakan perlindungan terhadap salju?
Untuk perincian, tanyakan kepada dealer di daerah Anda tentang tudung pelindung salju, dll.

Mengenai penyambungan kawat

- Semua penyambungan kawat harus dilakukan oleh petugas yang berkompeten.
Untuk penyambungan kawat, mintalah dealer di daerah Anda melakukannya. Jangan lakukan sendiri.
- Pastikan sirkuit catu daya terpisah disediakan untuk pendingin ruangan ini dan bahwa semua pekerjaan listrik dilakukan oleh petugas yang berkompeten sesuai dengan hukum dan peraturan daerah.

Perhatikan juga kebisingan pengoperasian

- Apakah memilih tempat-tempat berikut?
 - a. Tempat yang dapat menahan massa pendingin ruangan dengan lebih sedikit kebisingan dan getaran saat dijalankan.
 - b. Tempat di mana angin panas yang dikeluarkan dari keluaran udara unit luar-ruang dan kebisingan saat beroperasi tidak menyebabkan gangguan pada tetangga.
- Apakah Anda yakin tidak ada penghalang di dekat keluaran udara unit luar-ruang?
Penghalang tersebut dapat mengakibatkan kinerjanya menurun dan kebisingan pengoperasian meningkat.

- Jika terjadi kebisingan tidak normal saat digunakan, hentikan pengoperasian pendingin ruangan, kemudian tanyakan kepada dealer di daerah Anda.

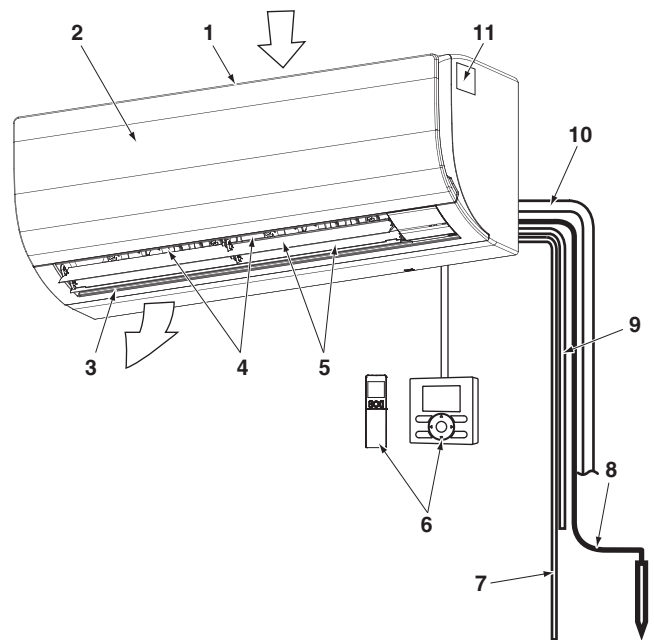
Relokasi sistem

- Tanyakan kepada dealer Daikin bila Anda ingin melakukan renovasi dan relokasi.

Mengenai pembuangan pemipaan pembuangan

- Apakah pemipaan pembuangan telah dilakukan dengan benar untuk memastikan pembuangan yang sempurna? Jika pemipaan pembuangan tidak dilakukan dengan benar, kotoran dan sampah bisa menumpuk dalam pemipaan pembuangan dan menyebabkan kebocoran air. Jika ini terjadi, hentikan pendingin ruangan dan tanyakan kepada dealer di daerah Anda untuk mendapatkan bantuan.

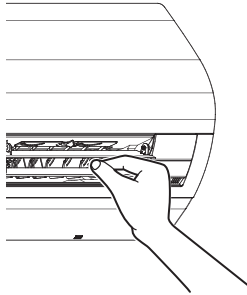
2. NAMA KOMPONEN



1	Masukan udara (Di bagian atas unit)
2	Filter udara (Di bawah panel)
3	Keluaran udara
4	Sirip vertikal (sirip penyesuaian arah keluaran udara horizontal-manual)
5	Sirip horizontal (sirip penyesuaian arah keluaran udara vertikal-otomatis)
6	Remote-control
7	Penyambungan kawat catu daya
8	Kawat arde Menghantarkan listrik dari unit ke tanah untuk mencegah sengatan listrik.
9	Pipa pembuangan
10	Penyambungan kawat transmisi pipa refrigeran
11	Pelat nama (Nama model unit dalam-ruang)

3. CARA MENYESUAIKAN SUDUT ARAH KIPAS HORIZONTAL

Tekan sedikit tab pada sirip vertikal tepi (sirip penyesuaian arah keluaran udara horizontal) dan sesuaikan ke kiri dan ke kanan agar sesuai dengan kondisi ruangan atau preferensi Anda.



Hentikan sirip horizontal pada posisi yang memungkinkan Anda menahan tab dan sesuaikan ke kiri dan ke kanan.

4. PEMELIHARAAN (UNTUK PETUGAS SERVIS)

⚠ PERINGATAN

- Hanya orang berkompeten yang diperbolehkan untuk melakukan pemeliharaan.
- Sebelum menyentuh kabel sambungan, pastikan untuk mematikan semua sakelar catu daya.
- Hubungi petugas yang profesional untuk pemasangan aksesoris dan pastikan untuk menggunakan aksesoris yang ditentukan oleh pabrikan saja.

Jika terjadi kerusakan akibat mengerjakan sendiri, hal itu dapat mengakibatkan kebocoran air, sengatan listrik, atau kebakaran.

- Jangan menggunakan bahan yang mudah terbakar (mis., hairspray atau obat pembasmi serangga) di dekat produk.
Jangan membersihkan produk dengan bahan pelarut organik seperti minyak cat.
Penggunaan bahan pelarut organik dapat menyebabkan kerusakan pada produk, sengatan listrik, atau kebakaran.
- Tanyakan kepada dealer Anda mengenai pembersihan bagian dalam pendingin ruangan.
Pembersihan yang salah dapat menyebabkan kerusakan komponen plastik, kebocoran air, dan kerusakan lainnya, termasuk sengatan listrik.

⚠ WASPADA

- Sebelum membersihkan, pastikan untuk menghentikan pengoperasian unit, mematikan sakelar pemutus arus listrik atau mencabut kabel listrik.
Jika tidak maka hal ini dapat mengakibatkan sengatan listrik dan cedera.
- Jangan mencuci pendingin ruangan dengan air, karena dapat mengakibatkan sengatan listrik atau kebakaran.
- Perhatikan langkah Anda pada saat membersihkan atau memeriksa filter udara.
Pekerjaan dilakukan di tempat yang tinggi sehingga perlu berhati-hati sekali.
Pekerjaan dilakukan di tempat yang tinggi sehingga perlu berhati-hati sekali.

CATATAN

- Jangan melepaskan filter udara kecuali saat membersihkan. Ini dapat menyebabkan kerusakan.

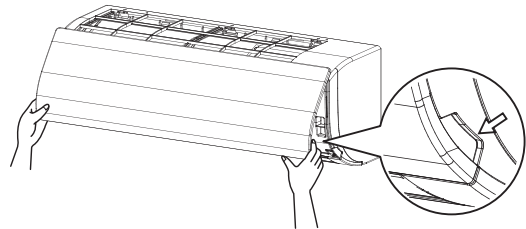
CARA MEMBERSIHKAN FILTER UDARA

Bersihkan filter udara bila tampilan menunjukkan “” (WAKTU UNTUK MEMBERSIHKAN FILTER UDARA).

- Ini akan menampilkan pesan bahwa unit akan beroperasi selama waktu yang ditetapkan.
- Tambah frekuensi pembersihan jika unit dipasang di ruangan yang udaranya sangat tercemar.
- Jika tidak mungkin membersihkan kotoran, gantilah filter udaranya (Filter udara untuk penggantian bersifat opsional).

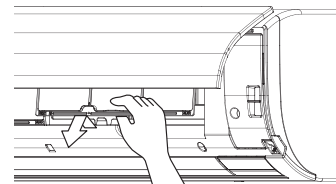
1. Buka panel depan.

Letakkan jari Anda pada tonjolan panel di sisi kiri dan sisi kanan unit dan bukalah hingga panel berhenti. (Ikuti prosedur yang sama untuk menutup.)



2. Tarik keluar filter udara.

Tekan ke atas sedikit tab di tengah filter kemudian tarik keluar filter dengan arah ke bawah.



3. Bersihkan filter udara.

Gunakan pengisap debu **A)** atau cuci filter udara dengan air **B)**.

A) Menggunakan pengisap debu



B) Mencuci dengan air

Bila filter udara sudah sangat kotor, gunakan sikat halus dan detergen netral



Keluarkan airnya dan keringkan di tempat teduh.

CATATAN

- Jangan mencuci filter udara dengan air hangat lebih dari 50°C, karena dapat mengakibatkan pelunturan warna dan/atau perubahan bentuk.
- Jangan biarkan terkena api, karena dapat mengakibatkannya hangus.

4. **Pasang filter udara.**
Setelah selesai dibersihkan, pastikan untuk memasang kembali filter udara seperti semula.
5. **Tutuplah panel depan.**
Lihat item No. 1.
6. **Tekan tombol ATUR ULANG TANDA FILTER pada remote-control.**
Tampilan "TIME TO CLEAN AIR FILTER" (WAKTU UNTUK MEMBERSIHKAN FILTER UDARA) menghilang.

CARA MEMBERSIHKAN KELUARAN UDARA DAN BAGIAN LUAR

- Bersihkan dengan kain halus.
- Bila sulit menghilangkan noda, gunakan air atau detergen netral.

CATATAN

- Jangan gunakan bensin, benzena, minyak cat, bubuk poles, atau obat pembasmi serangga cair. Ini dapat menyebabkan lunturnya warna atau pengerutan.
- Jangan menggunakan air atau udara yang bersuhu 50°C atau lebih untuk membersihkan filter udara.
- Bila siripnya sangat kotor, lepaskan dan bersihkan atau ganti. (Sirip untuk pengganti adalah komponen servis.)

CARA MEMBERSIHKAN PANEL DEPAN

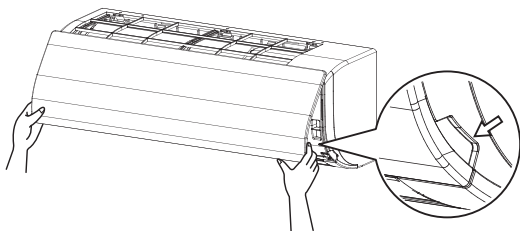
Anda dapat melepaskan panel depan untuk membersihkannya.

CATATAN

- Pegang erat panel depan agar tidak jatuh.
- Jangan gunakan bensin, benzena, minyak cat, bubuk poles, atau obat pembasmi serangga cair. Ini dapat menyebabkan lunturnya warna atau pengerutan.
- Jangan sampai unit dalam-ruang menjadi basah. Ini dapat menyebabkan sengatan listrik atau kebakaran.
- Jangan terlalu kuat menggosok saat mencuci bilahnya dengan air.
Sil permukaan bisa terkelupas.
- Jangan menggunakan air atau udara yang bersuhu 50°C atau lebih untuk membersihkan filter udara dan panel luar.
- Pastikan panel depan telah terpasang erat.

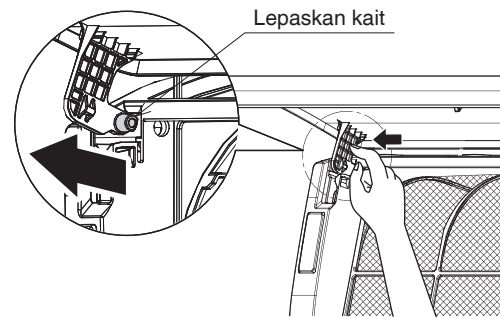
1. Buka panel depan.

Letakkan jari Anda pada tonjolan panel di sisi kiri dan sisi kanan unit dan bukalah hingga panel berhenti. (Ikuti prosedur yang sama untuk menutup.)



2. Lepaskan panel depan.

Geser panel depan ke kiri atau ke kanan dan tarik ke arah Anda lalu lepaskan.



3. Bersihkan panel depan.

- Lap pelan-pelan dengan kain halus yang lembap.
- Gunakan hanya bahan pembersih netral.
- Setelah mencuci, seka kelebihan air dan keringkan di tempat yang teduh.
- **Bila sangat kotor**
Langsung gunakan jenis detergen yang dipakai untuk membersihkan kipas ventilasi atau oven, tunggu 10 menit, kemudian bilas dengan air.

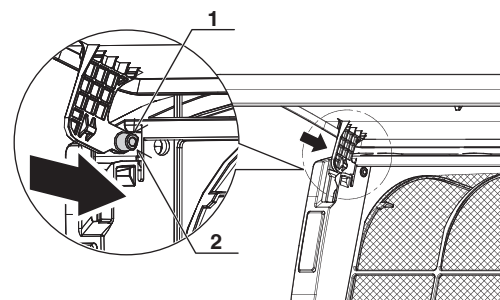
CATATAN

- Jangan mencuci pendingin ruangan dengan air hangat lebih dari 50°C. Hal itu dapat mengakibatkan lunturnya warna dan/atau perubahan bentuk.

4. Pasang panel depan.

Masukkan kait panel depan ke dalam slot dan tekan ke dalam sampai habis.

Tutuplah panel depan pelan-pelan dalam keadaan ini.



1. Kait
2. Selot

สารบัญ

1. ข้อควรปฏิบัติเพื่อความปลอดภัย.....	1
2. ชื่อของส่วนประกอบ	4
3. วิธีรับมุกทิศทางลมแนวอน	4
4. การบำรุงรักษา (สำหรับช่างซ่อมบำรุง)	4

คำแนะนำต้นฉบับเขียนไว้เป็นภาษาอังกฤษ คำแนะนำภาษาอื่นทั้งหมดแปลมาจากคำแนะนำต้นฉบับ

ข้อมูลสำคัญเกี่ยวกับสารทำความเย็นที่ใช้

ผลิตภัณฑ์นี้มีส่วนประกอบของก๊าซเรือนกระจกฟลูออรีนที่ครอบคลุมโดยพิธีสารเกียวโต (Kyoto Protocol)

ชนิดของสารทำความเย็น	R410A
ค่า GWP ⁽¹⁾	1975

⁽¹⁾GWP = ศักยภาพในการทำให้เกิดภาวะโลกร้อน

การตรวจหาการรั่วของสารทำความเย็นเป็นประจำอาจจำเป็นทั้งนี้ขึ้นอยู่กับกฎหมายของยุโรปหรือกฎหมายท้องถิ่น โปรดสอบถามข้อมูลเพิ่มเติมจากตัวแทนจำหน่ายในพื้นที่

1. ข้อควรปฏิบัติเพื่อความปลอดภัย

โปรดอ่านคู่มือการใช้งานอย่างละเอียดก่อนใช้งาน เพื่อใช้ประโยชน์ฟังก์ชันของเครื่องปรับอากาศอย่างเต็มที่และหลีกเลี่ยงการทำงานผิดปกติเนื่องจากการใช้งานผิดพลาด

อ่านข้อควรปฏิบัติอย่างละเอียดถี่ถ้วนเพื่อหลีกเลี่ยงการใช้งานอุปกรณ์ในทางที่ผิด ผลิตภัณฑ์นี้อยู่ภายใต้เงื่อนไขที่ว่า “บุคคลโดยทั่วไปไม่สามารถเข้าถึงได้”

เครื่องนี้ควรใช้งานโดยผู้เชี่ยวชาญหรือผู้ใช้ที่ผ่านการฝึกอบรมในร้านบริการ ในอุตสาหกรรมขนาดย่อม และในฟาร์ม หรือสำหรับการใช้งานเชิงพาณิชย์โดยบุคคลทั่วไป

เด็กที่มีอายุ 8 ปีขึ้นไปและบุคคลที่มีความบกพร่องทางร่างกาย ประสาทสัมผัส หรือจิตใจ หรือขาดความรู้ความเข้าใจ ย่อมใช้งานเครื่องนี้ได้หากอยู่ภายใต้การควบคุมดูแลหรือได้รับคำแนะนำเกี่ยวกับการใช้งานเครื่องนี้อย่างปลอดภัยและเข้าใจดีถึงอันตรายที่เกี่ยวข้อง ห้ามไม่ให้เด็กเล่นเครื่องนี้ การบำรุงรักษาโดยผู้ใช้และการทำความสะอาดต้องดำเนินการโดยผู้ที่มีคุณสมบัติตามที่อธิบายไว้ในคู่มือเท่านั้น

ไม่ควรให้เด็กเล็กหรือผู้ทุพพลภาพ ใช้งานเครื่องปรับอากาศนี้โดยปราศจากการควบคุมดูแล

เพราะอาจทำให้เกิดการบาดเจ็บหรือไฟดูด

- **คู่มือนี้แบ่งประเภทข้อควรปฏิบัติออกเป็น “คำเตือน” และ “ข้อควรระวัง” ต้องแน่ใจว่าปฏิบัติตามข้อควรปฏิบัติต่อไปนี้ทั้งหมด: ทุกข้อล้วนมีความสำคัญต่อการรับรองความปลอดภัย**
- **มีข้อควรปฏิบัติเพื่อความปลอดภัยและคำแนะนำสองประเภทที่แสดงไว้ดังต่อไปนี้**

⚠ คำเตือน หมายถึงสถานการณ์ที่อาจเป็นอันตรายซึ่งอาจส่งผลให้เสียชีวิตหรือบาดเจ็บสาหัส หากไม่หลีกเลี่ยง

⚠ ข้อควรระวัง หมายถึงสถานการณ์ที่อาจเป็นอันตรายซึ่งอาจส่งผลให้บาดเจ็บเล็กน้อยหรือปานกลาง หากไม่หลีกเลี่ยง
ทั้งยังใช้เตือนให้ระวังการปฏิบัติที่ไม่ปลอดภัย

- **หลังจากอ่านคู่มือฉบับนี้แล้ว ให้เก็บรักษาไว้ในที่ที่คุณสามารถอ้างอิงได้สะดวกเมื่อจำเป็น หากมีการโอนย้ายอุปกรณ์นี้ให้แก่ผู้ใช้ใหม่ โปรดส่งต่อคู่มือฉบับนี้ด้วย**

⚠ คำเตือน

เมื่อเครื่องปรับอากาศทำงานผิดปกติ (เช่น มีกลิ่นเหม็นใหม่)

ให้ปิดเครื่องปรับอากาศและติดต่อตัวแทนจำหน่ายในพื้นที่

การใช้งานต่อภายใต้สถานการณ์ดังกล่าว อาจส่งผลให้เกิดการทำงานขัดข้องไฟดูด หรือเพลิงไหม้

ปรึกษาตัวแทนจำหน่ายในพื้นที่เกี่ยวกับการดัดแปลง การซ่อม

และการบำรุงรักษาเครื่องปรับอากาศ

การดำเนินการเองที่ไม่ถูกต้องอาจส่งผลให้เกิดน้ำรั่ว ไฟดูด หรือเพลิงไหม้

ต้องแน่ใจว่าใช้ฟิวส์ที่มีค่าแอมแปร์ถูกต้อง

ห้ามนำฟิวส์ที่ไม่เหมาะสม ทองแดง หรือสายลวดอื่นๆมาใช้ทดแทน

เพราะอาจส่งผลให้เกิดไฟดูด เพลิงไหม้ การบาดเจ็บ หรือความเสียหายต่อเครื่องปรับอากาศ

ปรึกษาตัวแทนจำหน่ายในพื้นที่หากเครื่องปรับอากาศแช่ในน้ำเนื่องจากภัยธรรมชาติ เช่น น้ำท่วม หรือพายุไต้ฝุ่น

ห้ามใช้งานเครื่องปรับอากาศในกรณีดังกล่าว ไม่เช่นนั้น อาจทำให้เกิดการทำงานผิดปกติ ไฟดูด หรือเพลิงไหม้

ห้ามเริ่มต้นหรือหยุดการทำงานของเครื่องปรับอากาศด้วยการเปิดหรือปิดเบรกเกอร์ตัดการจ่ายไฟ

มิฉะนั้น อาจเกิดเพลิงไหม้หรือน้ำรั่วได้

ยิ่งไปกว่านั้น พัดลมจะหมุนโดยทันทีทันใด หากเปิดใช้งานการชดเชยกรณีไฟฟ้าขัดข้อง ซึ่งอาจทำให้ได้รับบาดเจ็บได้

อย่าใช้เครื่องปรับอากาศในบรรยากาศที่ปนเปื้อนไอระเหยของน้ำมัน

เช่น ไอระเหยน้ำมันปรุงอาหารหรือน้ำมันหล่อลื่นเครื่องจักร

ไอระเหยของน้ำมันอาจทำให้เกิดรอยชำรุดแตกร้าวในเครื่องปรับอากาศไฟดูด หรือเพลิงไหม้

ห้ามใช้วัสดุไวไฟ (เช่น สเปรย์จัดแต่งทรงผม หรือผลิตภัณฑ์กำจัดแมลง) ใกล้เครื่องปรับอากาศ

อย่าทำความสะอาดเครื่องปรับอากาศด้วยตัวทำละลายอินทรีย์

เช่น ทินเนอร์ผสมสี

การใช้ตัวทำละลายอินทรีย์อาจทำให้เกิดรอยชำรุดแตกร้าวในเครื่องปรับอากาศ ไฟดูด หรือเพลิงไหม้

อย่าใช้เครื่องปรับอากาศในบริเวณที่มีเขม่าควันมากเกินไป เช่น ห้องครัว หรือในบริเวณที่มีก๊าซไวไฟ ก๊าซกัดกร่อน หรือฝุ่นโลหะ การใช้เครื่องปรับอากาศในบริเวณดังกล่าวอาจทำให้เกิดเพลิงไหม้หรือเครื่องปรับอากาศไม่ทำงาน

ระวังเพลิงไหม้ในกรณีที่สารทำความเย็นรั่ว

หากเครื่องปรับอากาศทำงานไม่ถูกต้อง เช่น ไม่เกิดลมเย็นหรือลมอุ่น อาจมีสาเหตุจากสารทำความเย็นรั่ว ปรึกษาตัวแทนจำหน่ายในพื้นที่เพื่อขอความช่วยเหลือ สารทำความเย็นที่ใช้กับเครื่องปรับอากาศนี้ปลอดภัยและโดยปกติแล้วจะไม่รั่ว อย่างไรก็ตาม หากสารทำความเย็นนี้รั่วและสัมผัสกับเตาไฟ เครื่องทำความร้อน หรือเตาปรุงอาหาร อาจทำให้เกิดสารประกอบที่เป็นอันตรายได้ ปิดเครื่องปรับอากาศและติดต่อตัวแทนจำหน่ายในพื้นที่ เปิดเครื่องปรับอากาศหลังจากเจ้าหน้าที่ซ่อมบำรุงผู้เชี่ยวชาญตรวจสอบจนแน่ใจเพื่อยืนยันว่าซ่อมแซมการรั่วนั้นแล้ว

ห้ามยื่นวัตถุสิ่งของ รวมถึงแท่งไม้ นิ้วมือ เป็นต้น เข้าไปในช่องลมเข้าหรือช่องลมออก

เพราะอาจทำให้เกิดการบาดเจ็บหากสัมผัสกับใบพัดความเร็วสูงของเครื่องปรับอากาศ

ปรึกษาตัวแทนจำหน่ายในพื้นที่เกี่ยวกับการทำความสะอาดด้านในของเครื่องปรับอากาศ

การทำความสะอาดที่ไม่ถูกต้องอาจทำให้ชิ้นส่วนพลาสติกแตกหัก น้ำรั่ว และเกิดความเสียหายอื่นๆ รวมถึงไฟดูด

โปรดทราบว่าการสัมผัสกับลมเย็นหรือลมอุ่นจากเครื่องปรับอากาศโดยตรงเป็นเวลานาน หรือการสัมผัสกับลมที่เย็นเกินไปหรืออุ่นเกินไป อาจเป็นอันตรายต่อร่างกายและสุขภาพของคุณ

ปรึกษาตัวแทนจำหน่ายในพื้นที่เกี่ยวกับงานติดตั้ง

การทำงานด้วยตัวเองอาจทำให้เกิดน้ำรั่ว ไฟดูด หรือเพลิงไหม้

ติดต่อเจ้าหน้าที่มืออาชีพเกี่ยวกับการติดตั้งอุปกรณ์เสริม และต้องแน่ใจว่าใช้เฉพาะอุปกรณ์เสริมที่กำหนดไว้โดยผู้ผลิตเท่านั้น

หากข้อบกพร่องเป็นผลมาจากการลงมือดำเนินงานของคุณเอง อาจทำให้เกิดน้ำรั่ว ไฟดูด หรือเพลิงไหม้

ปรึกษาตัวแทนจำหน่ายในพื้นที่เกี่ยวกับการย้ายตำแหน่งและการติดตั้งเครื่องปรับอากาศอีกครั้ง

งานติดตั้งที่ไม่ถูกต้องอาจส่งผลให้เกิดการรั่ว ไฟดูด หรือเพลิงไหม้ได้

ต้องแน่ใจว่าได้ตัดสายดินเครื่องปรับอากาศ

ห้ามต่อสายดินเครื่องปรับอากาศกับท่อสาธารณูปโภค หัวล่อฟ้า หรือสายดินโทรศัพท์

การต่อสายดินที่ไม่ถูกต้องอาจส่งผลให้เกิดไฟดูดหรือเพลิงไหม้ได้ กระแสไฟกระชากสูงจากฟ้าแลบฟ้าผ่าหรือแหล่งอื่นๆ อาจทำให้เครื่องปรับอากาศเสียหาย

ต้องแน่ใจว่าได้ติดตั้งเบรกเกอร์ป้องกันไฟรั่ว

หากไม่ติดตั้งเบรกเกอร์ป้องกันไฟรั่ว อาจส่งผลให้เกิดไฟดูดหรือเพลิงไหม้ได้

ต้องแน่ใจว่าใช้แหล่งจ่ายไฟโดยเฉพาะสำหรับเครื่องปรับอากาศเท่านั้น
การใช้แหล่งจ่ายไฟอื่นอาจทำให้เกิดความร้อน เพลิงไหม้ หรือเครื่องปรับอากาศไม่ทำงาน

ปรึกษาตัวแทนจำหน่ายในพื้นที่เกี่ยวกับสิ่งที่ต้องทำในกรณี

สารทำความเย็นรั่ว

เมื่อติดตั้งเครื่องปรับอากาศในห้องขนาดเล็ก จำเป็นต้องใช้วิธีการที่เหมาะสมเพื่อให้ปริมาณสารทำความเย็นที่รั่วออกมานั้นมีความเข้มข้นไม่เกินขีดจำกัดในกรณีเกิดการรั่วซึม ไม่เช่นนั้น อาจก่อให้เกิดอุบัติเหตุเนื่องจากการขาดออกซิเจน



ข้อควรระวัง

เด็กเล็กควรอยู่ภายใต้การดูแลเพื่อไม่ให้เล่นตัวเครื่องภายในหรือรีโมทคอนโทรล

การใช้งานโดยไม่ระวังของเด็กอาจส่งผลให้เกิดการบาดเจ็บหรือไฟดูด

ห้ามเด็กปีนป่ายตัวเครื่องภายนอก หรือหลีกเลี่ยงการวางวัตถุสิ่งของบนตัวเครื่องนั้น

การตกหล่นหรือการล้มคว่ำอาจทำให้เกิดบาดเจ็บ

อย่าปล่อยให้เด็กๆ เล่นกับบนตัวเครื่องภายนอกหรือบริเวณโดยรอบ
หากพวกเขาสัมผัสตัวเครื่องโดยไม่ระวัง อาจทำให้เกิดบาดเจ็บได้

ต้องแน่ใจว่าเด็ก พืช หรือสัตว์ไม่โดนการกระจายลมโดยตรงจากตัวเครื่องภายใน เพราะอาจเกิดผลเสียตามมา

อย่าวางสเปร์ยไวไฟหรือใช้ภาชนะสเปร์ยใกล้เครื่องปรับอากาศ เพราะอาจก่อให้เกิดเพลิงไหม้

อย่าล้างเครื่องปรับอากาศหรือรีโมทคอนโทรลด้วยน้ำ เพราะอาจส่งผลให้เกิดไฟดูดหรือเพลิงไหม้

อย่าวางภาชนะบรรจุน้ำ (เช่น แจกันดอกไม้) ไว้บนตัวเครื่องภายใน เพราะอาจส่งผลให้เกิดไฟดูดหรือเพลิงไหม้

อย่าวางภาชนะไวไฟ เช่น กระป๋องสเปร์ย ภายในระยะ 1 เมตรจากช่องลมออก

ภาชนะนั้นอาจจะระเบิดเนื่องจากลมอุ่นจากตัวเครื่องภายในหรือภายนอกจะส่งผลกระทบ

ปิดสวิตช์ไฟหลัก เมื่อไม่ใช้งานเครื่องปรับอากาศเป็นเวลานาน

เมื่อสวิตช์ไฟหลักยังคงเปิดอยู่ จะยังคงมีการใช้กระแสไฟฟ้า (วัตต์) อยู่บ้าง แม้เครื่องปรับอากาศจะไม่ได้ทำงานก็ตาม ดังนั้น ให้ปิดสวิตช์ไฟหลักเพื่อประหยัดพลังงาน

เมื่อกลับมาใช้งานเครื่องอีกครั้ง เพื่อให้แน่ใจว่าเครื่องจะทำงานโดยไม่ได้ติดขัด ให้เปิดสวิตช์ไฟหลักไว้ 6 ชั่วโมง ก่อนใช้งานเครื่องปรับอากาศอีกครั้ง

อย่าวางวัตถุไว้ในบริเวณใกล้ตัวเครื่องภายนอก และอย่าปล่อยให้ไม้ และเศษซากอื่นๆ สะสมอยู่รอบตัวเครื่อง

ไม้ไม่อาจเป็นแหล่งเพาะพันธุ์สำหรับสัตว์ขนาดเล็กที่สามารถเข้าไปในตัวเครื่อง เมื่อสัตว์ดังกล่าวอยู่ในตัวเครื่อง อาจทำให้เกิดการทำงานผิดปกติ ควัน หรือเพลิงไหม้ หากสัมผัสกับชิ้นส่วนทางไฟฟ้า

ก่อนจะทำความสะอาด ต้องแน่ใจว่าหยุดการทำงานของเครื่องปรับอากาศ และปิดเบรกเกอร์ป้องกันไฟรั่วแล้ว

มิฉะนั้น อาจทำให้เกิดไฟดูดและการบาดเจ็บได้

เพื่อหลีกเลี่ยงไฟดูด อย่าใช้งานขณะมีเปียก

ห้ามสัมผัสชิ้นส่วนภายในของรีโมทคอนโทรล

การสัมผัสชิ้นส่วนภายในบางชิ้นจะทำให้เกิดไฟดูดและรีโมทคอนโทรลเสียหาย ปรึกษาตัวแทนจำหน่ายในพื้นที่เกี่ยวกับการตรวจสอบและการปรับชิ้นส่วนภายใน

ต้องแน่ใจว่ามีการระบายอากาศในห้องอย่างเหมาะสมเพียงพอ
หากมีการใช้อุปกรณ์ เช่น เตาไฟ พร้อมกับเครื่องปรับอากาศ เพื่อหลีกเลี่ยงการขาดออกซิเจน

อย่าทิ้งรีโมทคอนโทรลไว้ในบริเวณที่อาจจะเปียกน้ำ

หากนำเข้าไปในรีโมทคอนโทรล มีความเสี่ยงจะเกิดไฟฟ้ารั่วและส่วนประกอบอิเล็กทรอนิกส์เสียหาย

ใช้ความระมัดระวังขณะทำความสะอาดหรือตรวจสอบแผ่นกรองอากาศ
เมื่อจำเป็นต้องทำงานในที่สูง ต้องใช้ความระมัดระวังสูงสุด

หากนั่งร้านไม่มั่นคง คุณอาจร่วงหล่นหรือล้มคว่ำลงจนได้รับบาดเจ็บ

อย่าถอดหน้ากากด้านช่องลมออกของตัวเครื่องด้านนอก หน้ากากจะป้องกันพัฒนาความเร็วสูงของตัวเครื่อง ซึ่งอาจทำให้บาดเจ็บ เพื่อหลีกเลี่ยงการบาดเจ็บ อย่าสัมผัสช่องลมเข้าหรือครีบอลูมิเนียมของเครื่องปรับอากาศ

อย่าวางวัตถุสิ่งของที่ไวต่อความชื้นไว้ใต้ตัวเครื่องภายในหรือตัวเครื่องภายนอกโดยตรง

ภายใต้สภาวะบางอย่าง การควมแน่นบนตัวเครื่องหรือท่อสารทำความเย็น สิ่งสกปรกในแผ่นกรองอากาศ หรือการอุดตันของท่อน้ำทิ้ง อาจทำให้เกิดน้ำหยด ส่งผลให้วัตถุสิ่งของดังกล่าวเปื้อนหรือทำงานขัดข้องได้

อย่าวางเครื่องทำความร้อนไว้ข้างใต้ตรงกับตัวเครื่องภายใน เพราะความร้อนที่เกิดขึ้นจะทำให้เสียรูปทรง

อย่าวางอุปกรณ์ที่ทำให้เกิดเปลวไฟไว้ในบริเวณที่ได้รับการกระจายลมจากเครื่องปรับอากาศ เพราะอาจทำให้ประสิทธิภาพการเผาไหม้ของหัวเผาลดลง

อย่าปิดกันช่องลมเข้าและช่องลมออก

การกระจายลมที่ติดขัดอาจส่งผลให้ประสิทธิภาพไม่เพียงพอหรือเกิดปัญหา

อย่าใช้เครื่องปรับอากาศเพื่อจุดประสงค์อื่นนอกเหนือจากที่กำหนด อย่าใช้เครื่องปรับอากาศเพื่อทำความเย็นให้กับเครื่องมือที่ต้องการความแม่นยำ อาหาร พืช สัตว์ หรืองานศิลปะ เพราะอาจเกิดผลกระทบเลวร้ายต่อประสิทธิภาพ คุณภาพ และ/หรืออายุการใช้งานของวัตถุดิบดังกล่าว

อย่าติดตั้งเครื่องปรับอากาศในบริเวณที่มีอันตรายจากการรั่วของก๊าซไวไฟ ในกรณีเกิดก๊าซรั่ว ก๊าซที่สะสมด้วยอุณหภูมิต่ำของเครื่องปรับอากาศอาจก่อให้เกิดเพลิงไหม้

ดำเนินการเดินท่อน้ำทิ้งอย่างถูกต้องเพื่อให้แน่ใจว่าระบายน้ำทิ้งได้ทั้งหมด หากไม่ดำเนินการเดินท่อน้ำทิ้งให้ถูกต้อง น้ำทิ้งจะไม่ไหลออกไป จากนั้น สิ่งสกปรกและเศษวัสดุอาจสะสมอยู่ในท่อน้ำทิ้งและอาจทำให้น้ำรั่ว หากเป็นเช่นนั้น ให้หยุดการทำงานของเครื่องปรับอากาศและติดต่อตัวแทนจำหน่ายในพื้นที่เพื่อขอความช่วยเหลือ

หลังจากใช้งานเป็นเวลานาน ควรตรวจสอบสภาพความเสียหายของฐานรองตัวเครื่องและอุปกรณ์ยึดต่างๆ

หากปล่อยทิ้งไว้ในสภาพเสียหาย ตัวเครื่องอาจร่วงหล่นและทำให้บาดเจ็บได้

อย่านั่งทับหรือวางวัตถุสิ่งของไว้บนตัวเครื่องภายนอก ตัวคุณหรือสิ่งของอาจร่วงหล่นจนทำให้บาดเจ็บได้

ต้องแน่ใจว่ารีโมทคอนโทรลไม่ถูกแสงแดดโดยตรง

เพราะอาจเป็นสาเหตุให้จอแสดงผล LCD มีสีซีดจางไม่สามารถอ่านข้อมูลได้

ห้ามเช็ดแผงควบคุมด้วยน้ำมันเบนซินหรือตัวทำละลายอินทรีย์ เพราะอาจทำให้สีซีดจางและ/หรือหลุดลอก

หากจำเป็นต้องทำความสะอาดแผงควบคุม ให้ใช้ผ้าหมาดที่ชุบน้ำยาทำความสะอาดที่มีฤทธิ์เป็นกลางซึ่งเจือจางด้วยน้ำ หลังจากนั้นเช็ดด้วยผ้าแห้งอีกครั้ง

ห้ามสัมผัสชิ้นส่วนภายในของตัวควบคุม

อย่าถอดแผงครอบด้านหน้า การสัมผัสชิ้นส่วนภายในบางชิ้น จะทำให้เกิดไฟดูดและตัวเครื่องเสียหาย โปรดปรึกษาตัวแทนจำหน่ายเกี่ยวกับการตรวจสอบและการปรับชิ้นส่วนภายใน

ห้ามใช้งานปุ่มรีโมทคอนโทรลด้วยวัตถุแหลมคมที่มีความแข็ง

ห้ามดึงหรือบิดสายรีโมทคอนโทรล

เพราะอาจทำให้ทำงานผิดปกติ

ห้ามใช้งานเครื่องปรับอากาศ เมื่อกำลังใช้ยาฆ่าแมลงชนิดรมควันในห้อง สารเคมีชนิดรมควันที่สะสมในตัวเครื่องอาจทำอันตรายต่อสุขภาพของผู้ที่ไวต่อสารเคมีเป็นพิเศษ

อย่าวางเตาไฟหรือเครื่องทำความร้อนไว้ในบริเวณที่สัมผัสกับกระแสลมจากเครื่องปรับอากาศ เพราะอาจทำให้ประสิทธิภาพของเตาไฟหรือเครื่องทำความร้อนลดลง

ต้องมีมัตระวังเมื่อใช้นั่งร้าน และใช้ความระมัดระวังอย่างสูงเมื่อทำงานอยู่เหนือระดับพื้นดิน

ห้ามใช้งานโดยเปิดฝาครอบแผงควบคุมไว้

ถ้าเข้าไปในแผงควบคุม อาจส่งผลให้อุปกรณ์เสียหายหรือไฟดูดได้

อย่าวางสเปย์ไวไฟใกล้ตัวเครื่อง เพราะอาจทำให้เกิดการระเบิดได้

จัดเรียงสายน้ำทิ้งเพื่อไม่มีการระบายน้ำทิ้งได้สะดวก

การระบายน้ำทิ้งที่ไม่สมบูรณ์อาจทำให้เกิดความชื้นและ

จัดเรียงสายน้ำทิ้งเพื่อไม่มีการระบายน้ำทิ้งได้สะดวก

การระบายน้ำทิ้งที่ไม่สมบูรณ์อาจทำให้เกิดความชื้นที่ตัวอาคาร

เพอร์นิเจอร์ ฯลฯ

สถานที่ติดตั้ง

เกี่ยวกับสถานที่สำหรับการติดตั้ง

- มีการติดตั้งเครื่องปรับอากาศในบริเวณที่ระบายอากาศได้ดีโดยไม่มีสิ่งกีดขวางโดยรอบหรือไม่
- อย่าใช้งานเครื่องปรับอากาศในสถานที่ต่อไปนี้
 - a. เต็มไปด้วยน้ำมันแบริมาณมาก เช่น น้ำมันตัดกลึง
 - b. บริเวณที่มีเกลือจำนวนมาก เช่น ชายหาด
 - c. บริเวณที่มีก๊าซซัลเฟอร์อยู่ เช่น รีเซอร์พ่น้ำพุร้อน
 - d. บริเวณที่มีแรงดันไฟฟ้ากระเพื่อมอย่างมาก เช่น โรงผลิต หรือโรงงาน
 - e. รถและเรือ
 - f. บริเวณที่มีละอองน้ำมันและไอระเหยจำนวนมาก เช่น สถานที่ปรุงอาหาร เป็นต้น
 - g. บริเวณที่มีเครื่องจักรที่สร้างคลื่นแม่เหล็กไฟฟ้า
 - h. เต็มไปด้วยไอน้ำหรือไอระเหยที่เป็นกรดและ/หรืออัลคาไลน์
- ได้ใช้วิธีจัดการเพื่อป้องกันหิมะไขหรือไม สำหรับรายละเอียด โปรดปรึกษาตัวแทนจำหน่ายในพื้นที่เกี่ยวกับตัวครอบป้องกันหิมะ เป็นต้น

เกี่ยวกับสายไฟ

- สายไฟทั้งหมดต้องเดินสายโดยเจ้าหน้าที่ผู้เชี่ยวชาญ ควรขอให้ตัวแทนจำหน่ายในพื้นที่ดำเนินการเดินสายไฟ ห้ามจัดการด้วยตัวเอง
- ตรวจสอบให้แน่ใจว่าจัดเตรียมวงจรแหล่งจ่ายไฟไว้สำหรับเครื่องปรับอากาศนี้ และงานระบบไฟฟ้าทั้งหมดต้องดำเนินการโดยเจ้าหน้าที่ผู้เชี่ยวชาญตามกฎหมายและกฎระเบียบข้อบังคับระดับท้องถิ่น

ต้องคำนึงถึงเสียงรบกวนขณะทำงานด้วย

- ได้เลือกสถานที่ต่อไปนี้หรือไม่
 - a. สถานที่ซึ่งรับมวลน้ำหนักของเครื่องปรับอากาศได้มากพอโดยมีเสียงรบกวนและแรงสั่นสะเทือนขณะทำงานเพียงเล็กน้อย
 - b. สถานที่ซึ่งลมร้อนที่ปล่อยออกจากช่องลมออกของตัวเครื่องภายนอก และเสียงรบกวนจากการทำงานไม่สร้างความรบกวนให้แก่ผู้อยู่ในบริเวณใกล้เคียง
- แนใจหรือไม่ว่าไม่มีสิ่งกีดขวางอยู่ใกล้ช่องลมออกของตัวเครื่องภายนอก สิ่งกีดขวางดังกล่าวอาจส่งผลให้ประสิทธิภาพลดลงและเกิดเสียงรบกวนจากการทำงานเพิ่มขึ้น

- หากเกิดเสียงดังผิดปกติขณะใช้งาน ให้หยุดการทำงานของเครื่องปรับอากาศ แล้วปรึกษาตัวแทนจำหน่ายในพื้นที่

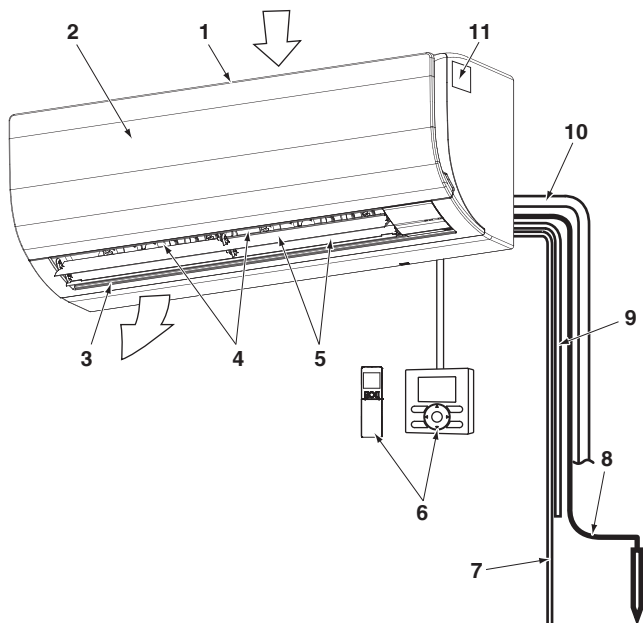
การย้ายตำแหน่งระบบ

- ปรึกษาตัวแทนจำหน่าย Daikin เกี่ยวกับการปรับปรุงอาคารและการย้ายตำแหน่งระบบ

เกี่ยวกับการระบายน้ำทิ้งของท่อน้ำทิ้ง

- ดำเนินงานเดินท่อน้ำทิ้งอย่างถูกต้องหรือไม่ เพื่อให้แน่ใจว่าระบายน้ำทิ้งได้ทั้งหมด
- หากไม่ดำเนินงานเดินท่อน้ำทิ้งให้ถูกต้อง สิ่งสกปรกและเศษวัสดุอาจสะสมอยู่ในท่อน้ำทิ้งและทำให้น้ำรั่ว หากเป็นเช่นนั้น ให้หยุดการทำงานของเครื่องปรับอากาศและปรึกษาตัวแทนจำหน่ายในพื้นที่เพื่อขอความช่วยเหลือ

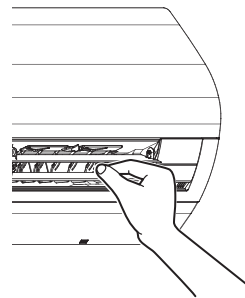
2. ชื่อของส่วนประกอบ



1	ช่องลมเข้า (ด้านบนของตัวเครื่อง)
2	แผ่นกรองอากาศ (ใต้แผงครอบ)
3	ช่องลมออก
4	แผ่นปรับทิศทางลมแนวตั้ง (แผ่นปรับทิศทางลมออกในแนวอน-ด้วยตนเอง)
5	แผ่นปรับทิศทางลมแนวนอน (แผ่นปรับทิศทางลมออกในแนวตั้ง-อัตโนมัติ)
6	รีโมทคอนโทรล
7	สายไฟสำหรับแหล่งจ่ายไฟ
8	สายดิน ใช้เป็นสายดินสำหรับตัวเครื่องภายในอาคาร เพื่อป้องกันไฟฟ้าลัดวงจรและเพื่อเพิ่มความปลอดภัย
9	ท่อระบายน้ำ
10	สายเคเบิลเชื่อมต่อท่อสารทำความเย็น
11	ป้ายชื่อ (ชื่อรุ่นตัวเครื่องภายในอาคาร)

3. วิธีปรับมุมทิศทางลมแนวนอน

กดแถบบนขอบแผ่นปรับทิศทางลมแนวตั้ง (แผ่นปรับทิศทางลมออกในแนวนอน) ลงเล็กน้อย แล้วปรับไปทางซ้ายและขวาให้เหมาะสมกับสภาพห้องหรือความต้องการของท่าน



หยุดแผ่นปรับทิศทางลมทางแนวตั้งไว้ตรงตำแหน่งที่ท่านสามารถจับแถบต่างๆ และปรับทิศทางซ้ายขวาได้

4. การบำรุงรักษา

(สำหรับช่างซ่อมบำรุง)

⚠ คำเตือน

- ผู้ที่จะทำการบำรุงรักษา ต้องเป็นบุคคลที่ได้รับการรับรองเท่านั้น
- ก่อนจะสัมผัสอุปกรณ์ไฟฟ้า ต้องตัดวงจรจ่ายไฟทั้งหมดก่อน
- สำหรับการติดตั้งอุปกรณ์เสริม ต้องเป็นบุคคลที่ได้รับการรับรองแล้วเท่านั้น

ควรแน่ใจว่าอุปกรณ์เสริมนั้นเป็นอุปกรณ์ที่บริษัทกำหนดเท่านั้น หากท่านติดตั้งเองอาจทำให้เกิดน้ำรั่ว ไฟฟ้าลัดวงจร หรือเพลิงไหม้ได้

- อย่าใช้วัสดุที่ติดไฟได้ (เช่น สเปรย์ฉีดยาหรือยาฆ่าแมลง) ใกล้กับเครื่อง

อย่าทำความสะอาดผลิตภัณฑ์ด้วยสารละลายอินทรีย์ เช่น ทินเนอร์ผสมสี

การใช้สารละลายอินทรีย์อาจทำให้เกิดผลิตภัณฑ์แตกหรือเสียหาย ไฟดูดหรือไฟไหม้ได้

- ปรึกษาตัวแทนจำหน่ายของท่านเกี่ยวกับการทำความสะอาดภายในเครื่องปรับอากาศ

การทำความสะอาดที่ไม่ถูกต้องอาจทำให้เกิดการแตกหรือเสียหายของชิ้นส่วนที่เป็นพลาสติก การรั่วไหลของน้ำ และความเสียหายอื่นๆ รวมถึงการเกิดไฟฟ้าลัดวงจร

⚠ ข้อควรระวัง

- ก่อนทำความสะอาด ดูให้แน่ใจว่าได้ปิดการทำงานของเครื่องได้ปิดเบรกเกอร์ หรือได้ถอดปลั๊กสายไฟออกแล้ว มิฉะนั้น อาจทำให้เกิดไฟฟ้าลัดวงจร และทำให้ได้รับบาดเจ็บได้
- อย่าใช้น้ำล้างเครื่องปรับอากาศ เพราะอาจทำให้เกิดไฟฟ้าลัดวงจรหรือเกิดเพลิงไหม้ได้
- ระมัดระวังขณะที่ทำความสะอาด หรือตรวจสอบแผ่นกรองอากาศ เนื่องจากต้องทำงานในที่สูง จึงต้องระมัดระวังเป็นพิเศษ หากนั่งร้านไม่มั่นคง ท่านอาจหกล้มหรือตกลงมาทำให้ได้รับบาดเจ็บได้

หมายเหตุ

- กรุณาอย่าถอดแผ่นกรองอากาศออกยกเว้นเมื่อทำความสะอาด เพราะอาจทำให้แตกหักเสียหายได้

วิธีการทำความสะอาดแผ่นกรองอากาศ

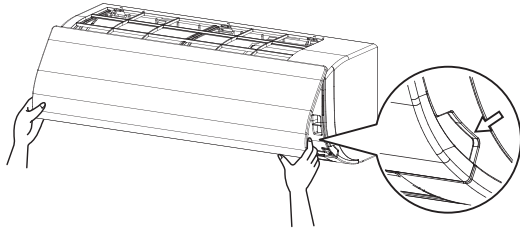
โปรดทำความสะอาดแผ่นกรองอากาศ เมื่อปรากฏสัญลักษณ์กรองอากาศ

“ ” (ถึงเวลาทำความสะอาดแผ่นกรองอากาศ)

- เครื่องจะแสดงให้ทราบว่าระบบจะทำงานต่อไปอีกระยะเวลาหนึ่งที่กำหนดไว้
- โปรดทำความสะอาดแผ่นกรองอากาศบ่อยครั้งขึ้น เมื่อติดตั้งเครื่องปรับอากาศในห้องที่มีอากาศสกปรกมาก
- ในกรณีที่ไม่สามารถทำความสะอาดสิ่งสกปรกได้ ให้เปลี่ยนแผ่นกรองอากาศ (อะไหล่แผ่นกรองอากาศเป็นอุปกรณ์เสริม)

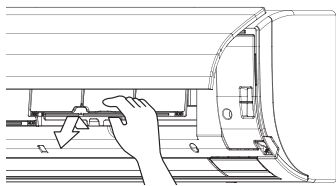
1. เปิดแผงด้านหน้า

เกี่ยวนิ้วเข้ากับส่วนที่ยื่นออกมาของแผงทางด้านซ้ายและขวาของตัวเครื่อง และเปิดแผงออกจนสุด (ปฏิบัติตามขั้นตอนแบบเดียวกันสำหรับการปิด)



2. ดึงแผ่นกรองอากาศออก

ดันแถบตรงกลางของแผ่นกรองอากาศขึ้นเล็กน้อย แล้วดึงลงในทิศทางลงล่าง



3. ทำความสะอาดแผ่นกรองอากาศ

ใช้เครื่องดูดฝุ่น A) หรือล้างแผ่นกรองอากาศด้วยน้ำ B)

A) ใช้เครื่องดูดฝุ่น



B) ล้างด้วยน้ำ

เมื่อแผ่นกรองอากาศสกปรกมากใช้แปรงขนอ่อน และน้ำยาล้างที่เป็นกลาง



เช็ดน้ำและผึ่งให้แห้งในร่ม

หมายเหตุ

- กรุณาอย่าล้างด้วยน้ำร้อนที่มีอุณหภูมิสูงกว่า 50°C เพราะการทำเช่นนั้น อาจจะทำให้เกิดการเปลี่ยนสีและ/หรือเปลี่ยนรูปได้
- อย่าให้ถูกเปลวไฟ เพราะอาจทำให้เกิดไฟไหม้ได้

4. ติดแผ่นกรองอากาศ

เมื่อทำความสะอาดเสร็จสมบูรณ์แล้ว กรุณาตรวจสอบให้แน่ใจว่าได้ติดตั้งกลับเข้าสู่ตำแหน่งเดิมอย่างถูกต้อง

5. ปิดฝาครอบแผงด้านหน้า

ดูหัวข้อที่ 1

6. กดปุ่มรีเซ็ตสัญลักษณ์กรองอากาศบนรีโมทคอนโทรล

ส่วนแสดงผล “ถึงเวลาทำความสะอาดแผ่นกรองอากาศ” จะดับไป

วิธีทำความสะอาดช่องทางออกของอากาศและตัวเครื่องภายนอก

- ทำความสะอาดด้วยผ้านุ่ม
- หากตรวจสอบสกปรกออกยาก ใช้น้ำหรือน้ำยาล้างที่เป็นกลาง

หมายเหตุ

- อย่าใช้แก๊สโซลีน เบนซิน ทินเนอร์ ผงขัด ยาฆ่าแมลงเหลว เพราะอาจทำให้ลื่นหรือบดบังได้
- กรุณาอย่าใช้น้ำหรืออากาศที่มีอุณหภูมิสูงกว่า 50°C หรือน้ำยาฟอกขาว ในการทำความสะอาดแผ่นกรองอากาศ
- เมื่อแผ่นปรับทิศทางลมสกปรกมาก ให้ถอดออก และทำความสะอาดหรือเปลี่ยนใหม่ (อะไหล่แผ่นปรับทิศทางลมเป็นชิ้นส่วนจำหน่ายแยกต่างหาก)

วิธีทำความสะอาดแผงด้านหน้า

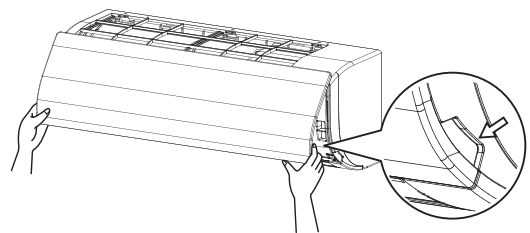
ท่านสามารถถอดแผงด้านหน้าออกมาทำความสะอาดได้

หมายเหตุ

- กรุณาจับแผงด้านหน้าไว้อย่างมั่นคง เพื่อไม่ทำให้ตกลงมา
- อย่าใช้แก๊สโซลีน เบนซิน ทินเนอร์ ผงขัด น้ำยาฆ่าแมลงทำความสะอาด เพราะอาจทำให้เกิดการบดบังหรือเปลี่ยนสีได้
- อย่าปล่อยให้เครื่องที่ติดตั้งด้านในเปียก เพราะอาจทำให้เกิดไฟฟ้าช็อตหรือไฟไหม้ได้
- เมื่อล้างใบพัดด้วยน้ำ อย่าถูแรงเกินไป เพราะพื้นผิวอาจหลุดออก
- เมื่อทำความสะอาดแผ่นกรองอากาศและแผงด้านนอก อย่าใช้น้ำหรือลมที่มีอุณหภูมิสูงเกิน 50°C
- ตรวจสอบให้แน่ใจว่าแผงด้านหน้าถูกปิดไว้อย่างสนิท

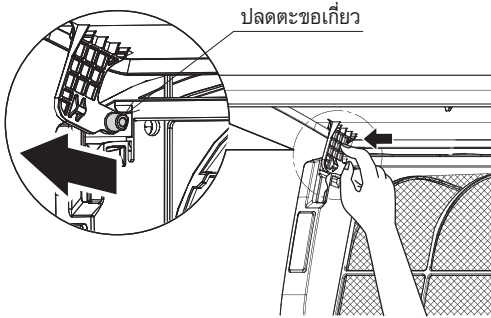
1. เปิดแผงด้านหน้า

เกี่ยวนิ้วเข้ากับส่วนที่ยื่นออกมาของแผงทางด้านซ้ายและขวาของตัวเครื่อง และเปิดแผงออกจนสุด (ปฏิบัติตามขั้นตอนแบบเดียวกันสำหรับการปิด)



2. ถอดแผงด้านหน้า

เลื่อนแผงด้านหน้าไปทางซ้ายหรือขวา ทางใดทางหนึ่งแล้วดึงเข้าหาตัวท่านและถอดออก



3. ทำความสะอาดแผงด้านหน้า

- เช็ดเบาๆ ด้วยผ้านุ่มชุบน้ำหมาดๆ
- กรุณาใช้สารทำความสะอาดที่มีสภาพเป็นกลางเท่านั้น
- หลังจากล้างออกแล้ว กรุณาเช็ดน้ำออกและตั้งให้แห้งในที่ร่ม
- เมื่อสกปรกมาก

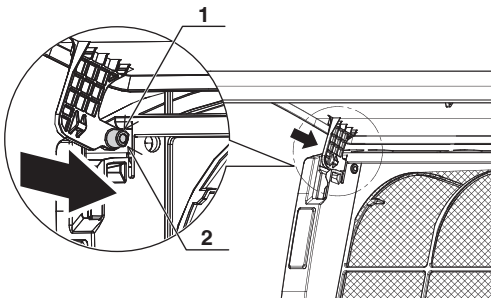
ทำความสะอาดด้วยฟองซักฟอก สำหรับทำความสะอาดพัดลมระบายอากาศหรือเตาอบ รอ 10 นาที แล้วล้างออกด้วยน้ำ

หมายเหตุ

- อย่าล้างเครื่องปรับอากาศด้วยน้ำร้อนที่มีอุณหภูมิสูงเกิน 50 °C เพราะอาจทำให้เกิดการเปลี่ยนสีหรือบิดงอได้

4. ติดแผงด้านหน้า

ใส่ตะขอเกี่ยวของแผงครอบด้านหน้าลงในช่อง และดันลงจนสุด บิดแผงด้านหน้าอย่างช้าๆ ในลักษณะที่เป็นอยู่อย่างนั้น



1. ตะขอเกี่ยว
2. ช่อง

DAIKIN INDUSTRIES, LTD.

Osaka Umeda Twin Towers South,
1-13-1, Umeda, Kita-ku, Osaka, 530-0001, Japan
<https://www.daikin.com>

PT DAIKIN AIRCONDITIONING INDONESIA

MENARA ASTRA LANTAI 7 DAN 8
JL. JENDERAL SUDIRMAN KAV. 5-6
KEL. KARET TENGSIN, KEC. TANAH ABANG
KOTA ADM. JAKARTA PUSAT, PROP. DKI JAKARTA
10220

SIAM DAIKIN SALES CO.,LTD.

22 Soi Onnuch 55/1 On-nuch Rd., Pravet
Subdistrict, Pravet District, Bangkok 10250
Thailand.
Tel : 0-2838-3200
Fax : 0-2721-7607-8

บริษัท สยามไดकिनเซลส์ จำกัด

22 ซอยอ่อนนุช 55/1
ถนนอ่อนนุช แขวงประเวศ
เขตประเวศ, กรุงเทพฯ 10250
โทร : 0-2838-3200
โทรสาร : 0-2721-7607-8



The two-dimensional bar code is
a manufacturing code.

3P565390-1F M19N004B (2307) HT