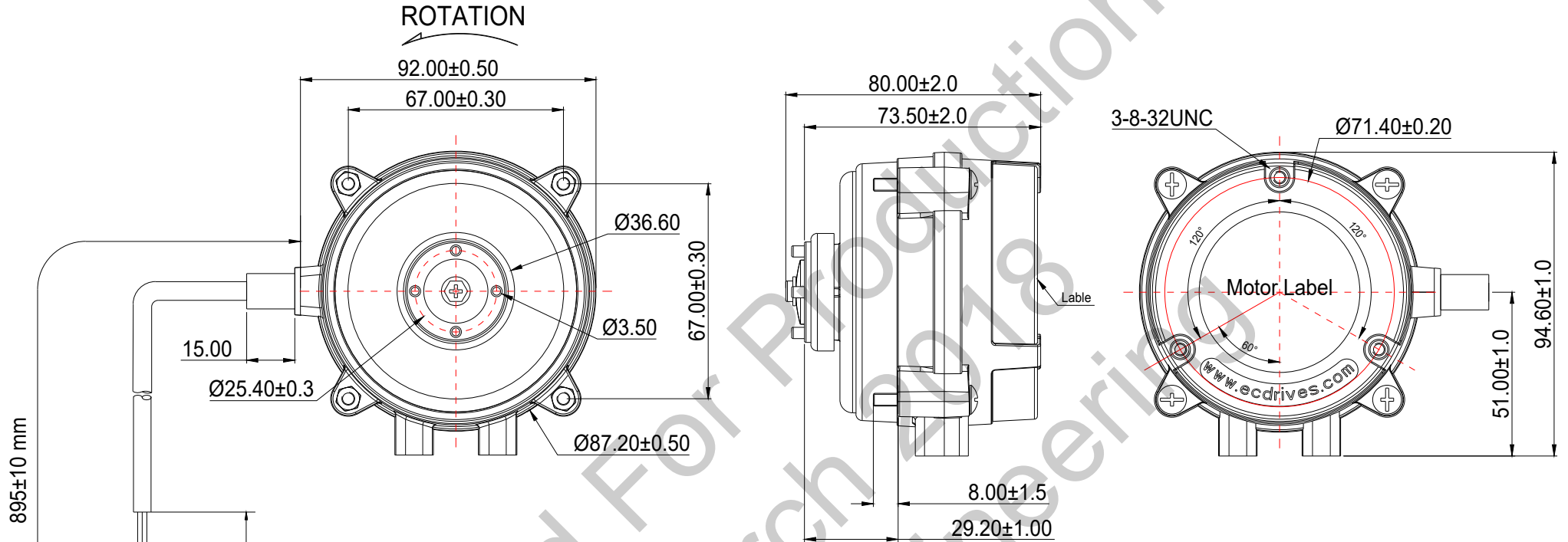


Cable Part Number BTHK105-0208 (Rev A)  
 6.35mm x 0.8mm Insulated Female Flag Connector



Welbilt specified barcode will be as follows - 0000152691801633149001

Key to above information

000015269 Welbilt part number for ECY-01-E-120-1400-001-XXX  
 1801 Manufacturing date YYWW format with 01 representing week for 01 January  
 633149 Welbilt supplier code number for EC fans & drives  
 001 Welbilt Revision Number

**ec fans & drives**  
 an EPEC company  
 ECY-01-E-120-1400-001-A02  
 1400rpm 0.45A 120VAC 50/60Hz

000015269

S1 - AO - TP - CCW - IP55

Designed in USA Assembled in China

Rotation Speed	1400rpm	Motor Type	ECY-01 Motor	<b>EC FAN &amp; DRIVES</b>				RoHS	
Max Current	0.45A	Operating Temp	-40°C to +50°C					Date	2018/3/12
Operation Voltage	120VAC (50/60Hz)	Motor Protection	Electronic & Thermal					Revision	A01
Speed Control	Constant Speed	Life Expectancy	40,000hrs	Scale	1:1	Drawn	HQM	<b>PART NUMBER</b>	
Insulation Class	Class B (130°C)	Case Material	PBT			Checked	ZXL		
Rotation Direction	CCW	Weight	645g	UNIT	mm	Approved	GZF	ECY-01-E-120-1400-001-A02	