



Data Specification Sheet

Customer :
Customer Part Number :
ECD Part Number. : EC17251B00ML-A02
Description : 172×152×51mm – AC Variable Frequency Motor
Issue Date : 2015-07-24



Customer Approval

Signature

Print Name

Position

Date

Thanks for your interest in our products. Once formally approved please sign and return this specification to your designated Sales Manager

EC fans & drives will not release any orders into production without receipt of a signed approval data specification sheet

General Information

ITEM		Specification		
01	Part Number	EC17251B00ML-A02		
02	Dimension	172×152×51mm		
03	Rated Voltage	100-120VAC ~ 220-240VAC (50/60Hz)		
04	Start-up Voltage	85VAC (50/60Hz)		
05	Operating Voltage	85~265VAC		
06	Rated Speed	2800Rpm	±10%	a. Rated Voltage b. 25°C and 65% RH c. Measured after 5 Minutes
07	Maximum Current	0.35 A	Max	
08	Maximum Power	19.0W		
09	Max Airflow	206	CFM	a. PQ Measurement Apparatus : (LW9266-SR) b. Standard : AMCA c. Rated Voltage d. Rated Current
		5.82	m ³ /min	
10	Max Static Pressure	0.49	Inch-H ₂ O	
		122	Pa	
11	Life Expectancy	50,000hrs at 40°C		a.L10 at Conf. Level 90% b.Rated Voltage
12	Noise Level	47dB		a.Rated Voltage b.Non-Echo Chamber c.Standard:CNS 8753/ISO3744 d.Test Condition:ISO 7779 e.Distance: 1.0M
13	Motor Type	EC AC Frequency-Switching Fan		
14	Rotating Direction	Counter Clockwise (From Label side)		

Material Information

01	Bearing	<input checked="" type="checkbox"/> NMB Ball Bearing		<input type="checkbox"/> Sleeve Bearing		
02	Frame	<input type="checkbox"/> PBT of UL94V-0		<input checked="" type="checkbox"/> Die-cast Aluminum Alloy		
03	Impeller	<input checked="" type="checkbox"/> PBT of UL94V-0		<input type="checkbox"/> Steel		
04	Bobbin	<input checked="" type="checkbox"/> PBT of UL94V-0				
05	Connection Type	<input type="checkbox"/> Tags	<input checked="" type="checkbox"/> Black(N)	<input checked="" type="checkbox"/> Black(L)	<input type="checkbox"/> Brown(E) UL1007 22#	<input type="checkbox"/> Terminal
			<input type="checkbox"/> White(RD)	<input type="checkbox"/> Yellow(FG)	920mm±20mm	
06	Sleeving	<input checked="" type="checkbox"/> Heat shrink Sleeving				

Electrical Information

ITEM		Specification	
01	Locked Rotor Protection	<input type="checkbox"/> Locked the fan blade 72hours, after lock released, the fan can work normally	
		<input checked="" type="checkbox"/> Auto power off after locked at rated voltage for 1sec After auto power off ,circuit will attempt restart in 2 to 6 seconds	
02	Insulation Resistance	100MΩ Between unshielded wire and frame at 500VDC/min	
03	Dielectric Strength	1800VAC/5mA/ 3s between lead wire and frame	
04	Constant Rotation Speed	During the operating voltage AF fan has the constant rotation speed	
05	Moisture Protection	PCBA Conformally Coated Against Moisture Ingress	
06	Soft Start	Soft Start Function Reduced to Minimum Setting for Increased Start-up Torque	
07	Special Function	<input type="checkbox"/> RD	<input type="checkbox"/> FG

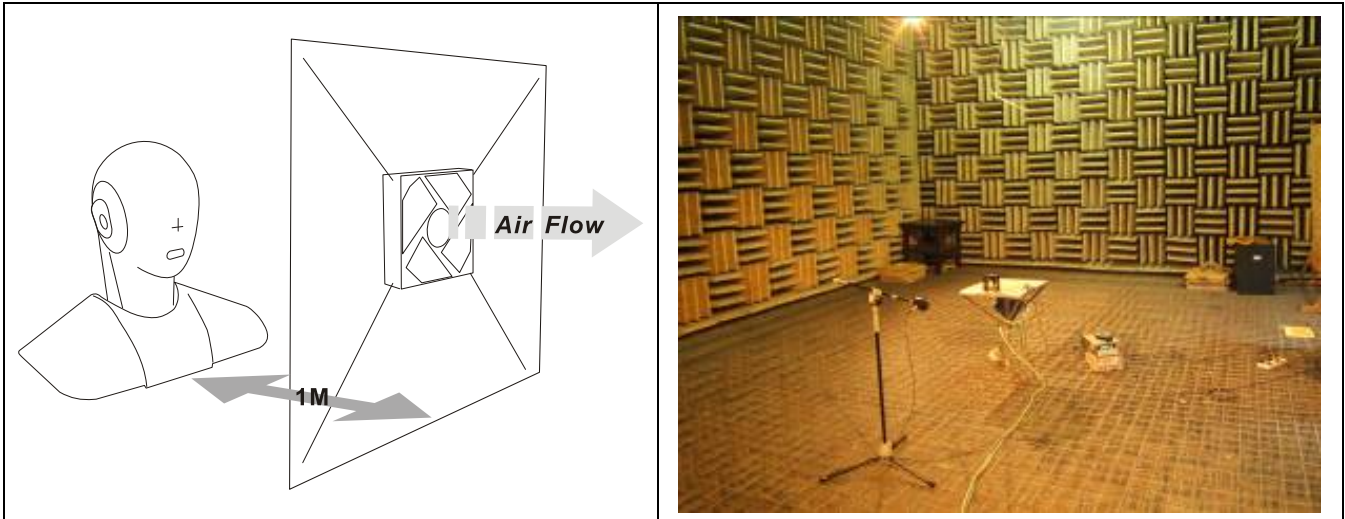
Environmental Specification

ITEM		Specification	
01	Operating Temp. Range	Temperature	: -25°C to +70°C
		Humidity	: 15%~ 90% RH
02	Storage Temp. Range	Temperature	: -40°C to +70°C
		Humidity	: 15%~ 90% RH

Approvals

01	CE	In Accordance with Low Voltage Directive 2006/95/EC <input checked="" type="checkbox"/> IEC 60335-2-80:2002 (Second edition) + A1:2004 +A2:2008 in conjunction with IEC 60335-1:2010 (Fifth Edition)
02	UL	<input checked="" type="checkbox"/> File Number E356112
03	CUL	<input checked="" type="checkbox"/> File Number E356112

Noise Measure Condition



Measurement Systems

1. ANECHOIC Room Noise Measurement System

2. Digital Head Measurement System, 16-bit version

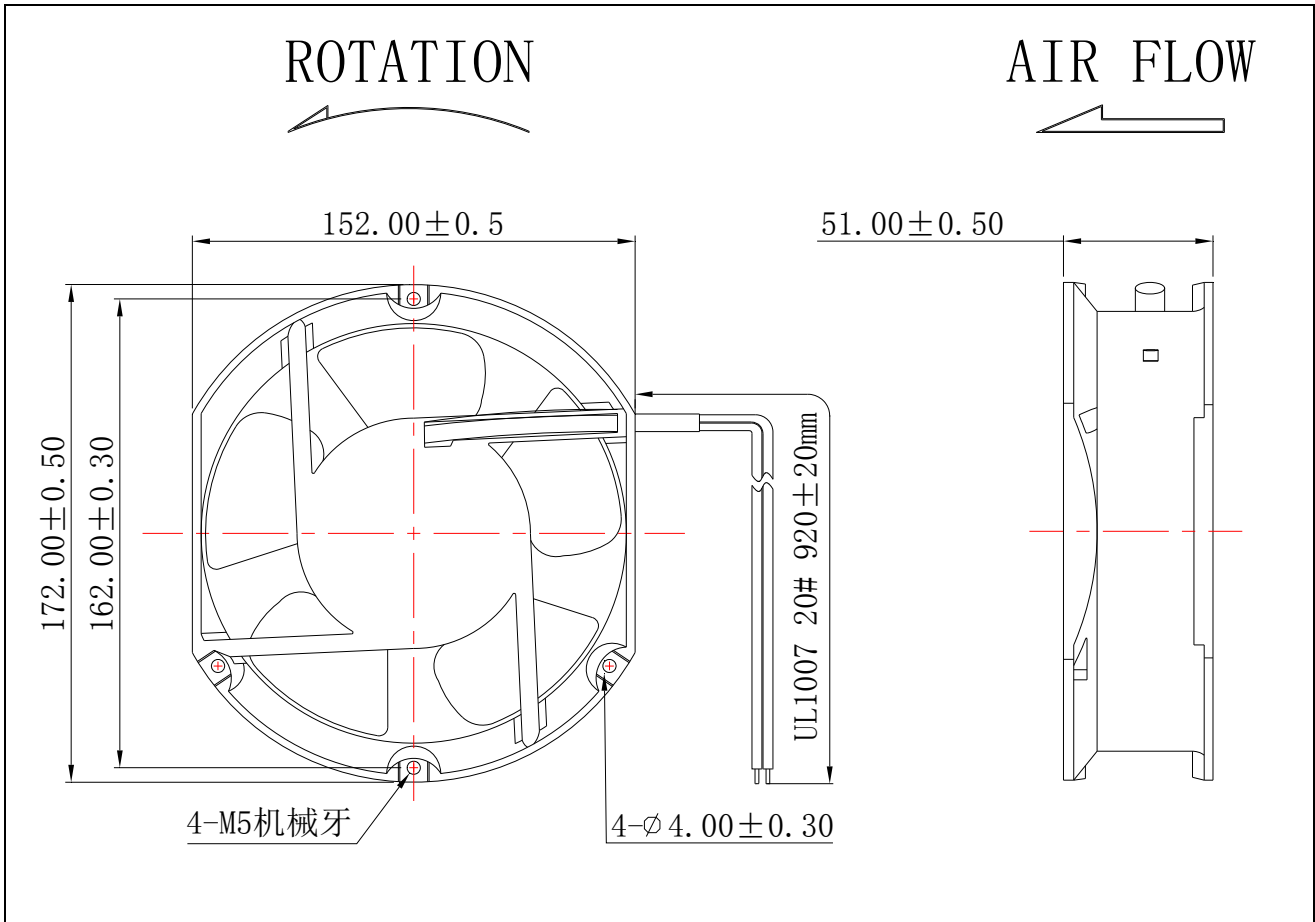
3. Specifications: ISO 3744, ISO 3745, ISO 7779, CNS6753, JIS 8346

4. Background Noise: < 18dB(A)

Label Identification

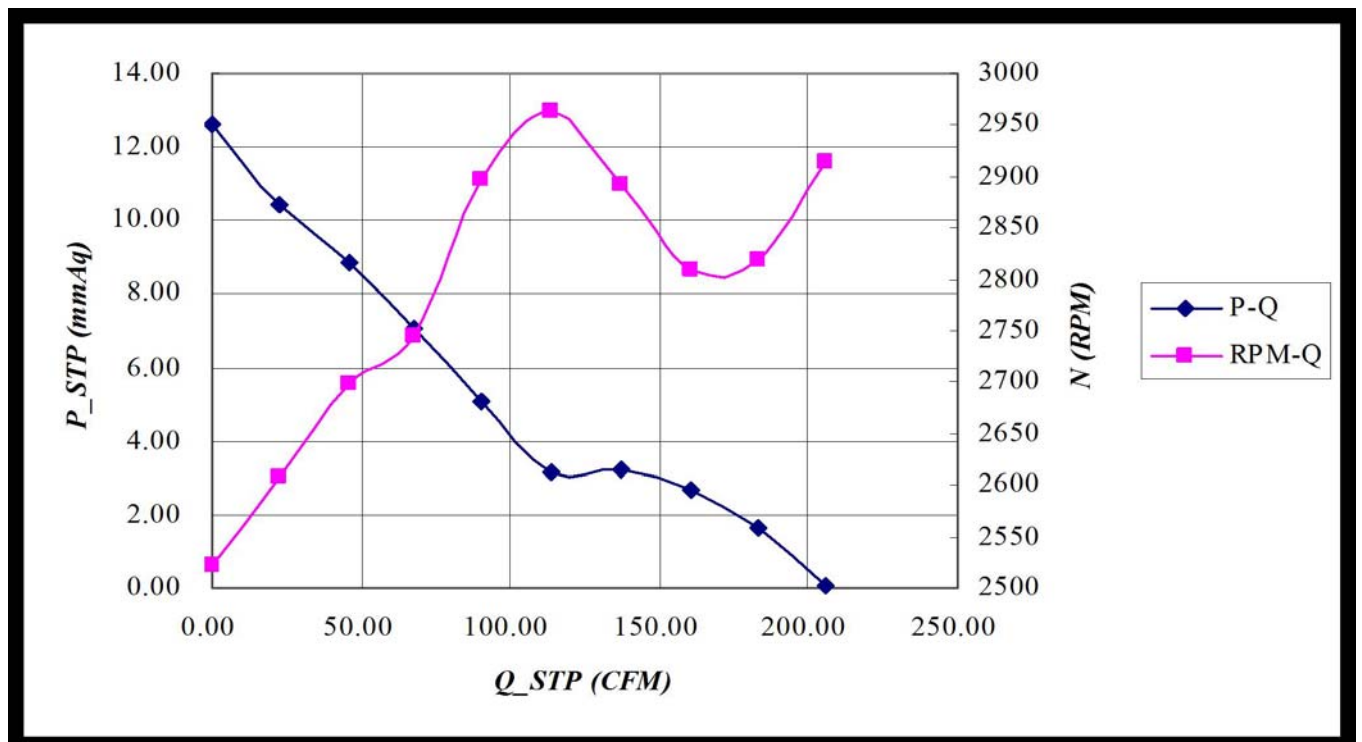
	Model No.	EC17251B00ML-A02
	Rated Voltage	100-120/220-240 VAC (50/60Hz)
	Maximum Power	19.0W
	Label Size	Φ73mm
	Label Color	Green
	Safety Approvals	CE UL CUL
	Appendix Code	No

Outline Dimension



Airflow Curve

The airflow curve was tested in accordance with AMCA 210 under rated conditions



Note:

1. We will not guarantee the products if your application exceeds the limitations outlined in this specification.
2. Please do not touch and push fan blade with fingers or others. Fan blade and ball bearings may be damaged. And it caused noise defect.
3. Please avoid operating EC Fans & Drives products in poisonous material (organic, cyanogens, formalin, phenol, etc.) or corrosive gas environment (H₂S, SO₂, NO₂, etc.)
4. We do not warrant performance safety against accidents caused by dust, water, droplets dew, bugs, etc.
5. Always ensure that fans are stored according to the storage temperatures specified. Do not store in a high humidity environment. If the fans are stored for more than 6 months, we recommend functional testing before using.
6. Please do not damage this product this product including coil and lead wires while installing or wiring. There may be smoking or fire.
7. Avoid the damage, check the correct voltage and proper polarity before connecting with power.
8. Improper mounting may cause harsh resonance, vibration, and noise. Please mount securely.
9. It is very important to notify that avoid to drop from 60cm height when in any movement or operation, it will impact the balance of blade. Especially ball bearing structure is avoided to drop down.
10. Safety is a top priority. Please furnish guard accessories to prevent injury to personnel