

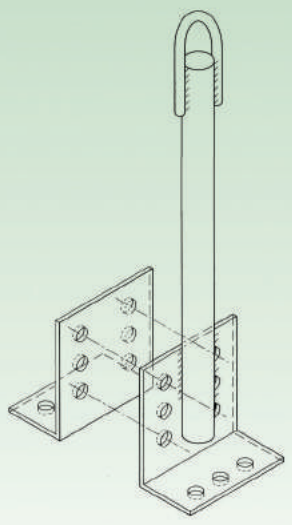
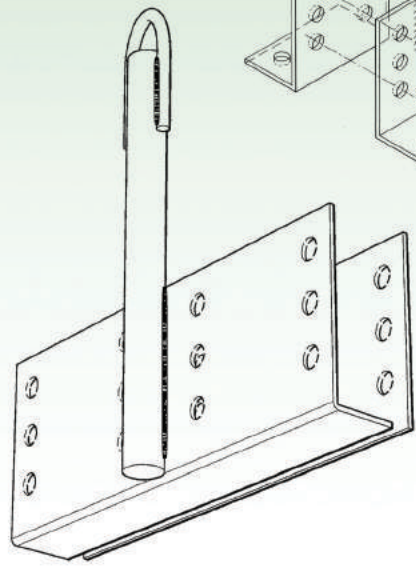
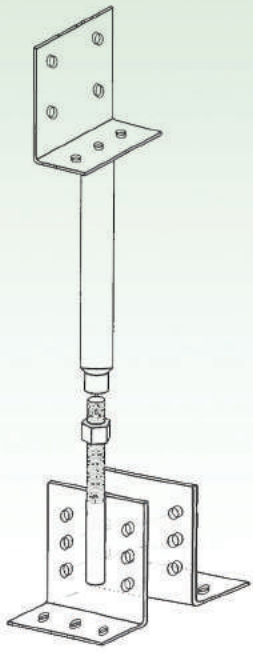
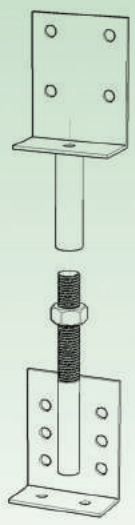
# roofextenda<sup>®</sup>

PTY LTD

*'A BETTER WAY'*

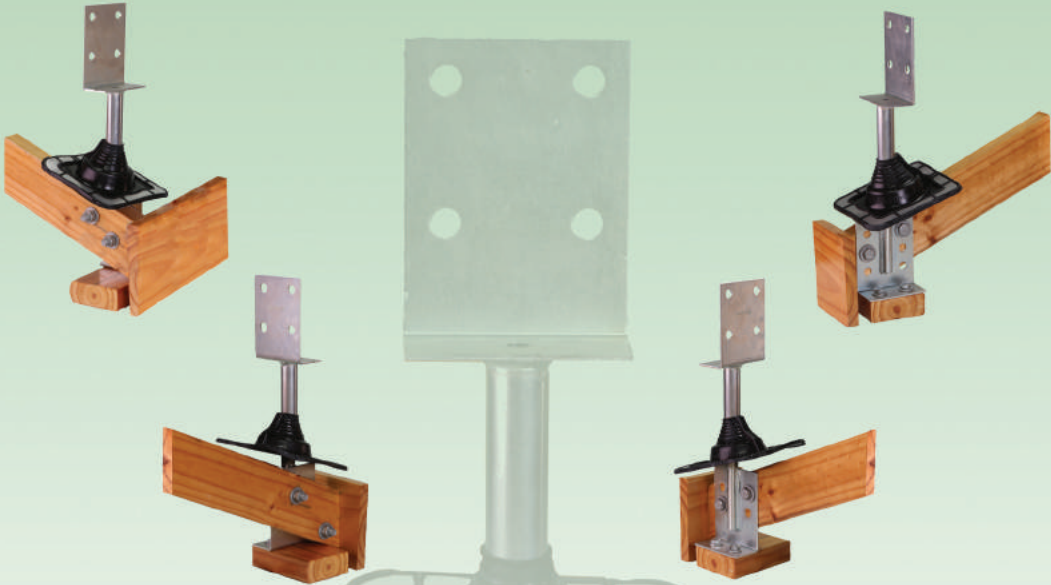
# PRODUCT GUIDE

# 2015



# MkII Bracket

Patent Number  
Australia: 707335  
New Zealand: 312047



**Unique steel brackets offering structurally superior fixing of extended roof-lines to buildings.**

Easy to install through either tile or metal roofs  
NO special tools required.

Bolts attach brackets to rafter and top wall plate for extra strength and structural integrity.

Airflow between roof-lines provide improved ventilation in the summer heat.

Adjustability allows run off angle to be optimised and adds height for larger vehicles - 4WD's, boats, caravans etc.

New roof line is raised above the existing spouting therefore providing easy access for cleaning and maintenance.

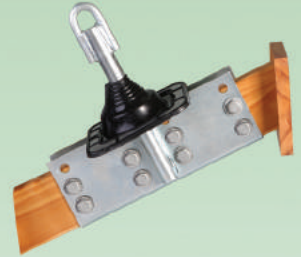
**Engineers Computations request form available on website.  
Installation instructions and stockist list available on website.**

**[www.roofextenda.com.au](http://www.roofextenda.com.au)**

# Safety Anchor

# NEW

Patent applied for  
Australia: 2014904647



## WHAT IS YOUR LIFE WORTH?

Safety is becoming more important and necessary in today's domestic and commercial building processes.

Our fixed single point fall-arrest Safety Anchor, designed for use on timber roof trusses/rafters, has been tested for static and dynamic load capacity in accordance with the **new AS/NZS 5532-2013 STANDARDS**.

For over 18 years Roof Extenda Pty Limited has been known for their second to none superior products!

**Installation instructions and stockist list available on website.**

**[www.roofextenda.com.au](http://www.roofextenda.com.au)**

# Shade Sail Anchor

Patent Number  
Australia: 2006200720



## **A better way of attaching Shade Sails to buildings.**

Shade Sails are being erected all over the World.

Their popularity is increasing as they offer many forms of protection from inclement weather over barbecues, play areas, outdoor pools and spas.

The Roof Extenda Shade Sail Anchor is designed to solve problems and provide a better and safer means of attaching Shade Sails to buildings.

It is bolted directly to the rafter and wall top plate of the existing building, giving a structurally sound fixing method ensuring the strongest means of support.

When attaching the Roof Extenda Shade Sail Anchor to the rafter and wall top plate the workload and time taken is greatly reduced, compared to traditional means of fixing Shade Sails

**Installation instructions and stockist list available on our website.**

[www.roofextenda.com.au](http://www.roofextenda.com.au)

# 'S' Series Bracket



The Roof Extenda Bracket 'S Series' is designed to provide "A Better Way" of attaching main beams for carports, pergolas, pool enclosures or any other roofing project that is to be added to the roofline. Roof Extenda Bracket 'S Series' attaches to the rafter and the wall top plate therefore providing strength, safety and peace-of-mind.

The Roof Extenda Bracket 'S Series' solves problems like height adjustment for carports etc.

Available in three lengths: S300, S400 & S500.

The Roof Extenda Bracket 'S Series' can add height clearance to carports allowing for adequate overhead room for high vehicles and equipment. The Roof Extenda Bracket 'S Series' is extremely successful in areas with high winds; it is fixed by hex bolts directly through the roof rafters and hex screws into the wall top plate giving a structurally sound fixing method.

When attaching the adjustable Roof Extenda Bracket 'S Series' to the rafter and wall top plate the workload and time taken in completing a project is greatly reduced in comparison to traditional fixing methods.

**Engineers Computation request forms are available on our website.  
Installation instructions and stockist lists available on our website.**

[www.roofextenda.com.au](http://www.roofextenda.com.au)

# Weather Seals



## FlashRite - Aquaseal

Base Size - 163 x 163mm

Black - standard seal supplied within all packages.

-Bushfire Attack Level (BAL) 12.5

Red - special order required

-Bushfire Attack Level (BAL) 19

## Flexatile - Lead Free

Base Size - 450 x 280mm

-Available in Black or Terracotta

-Paint to match roof colour with acrylic house paint

-Light weight, non toxic, non corrosive

-Drinking water safe

-Polymer is Ozone and UV resistant

-BAL certified

**Installation instructions and stockist list available on our website.**

[www.roofextenda.com.au](http://www.roofextenda.com.au)

# Company Statement

Roof Extenda Pty Limited is a family business founded in the mid 1990's by Donald & Mary Dunkinson.

Don wasn't happy retiring from being a Master Builder, so in the backyard shed he designed the **ROOF EXTENDA BRACKET.**

The family and a crew of dedicated staff have continued to grow the business over many years; our products are now available nationally in most hardware stores.

All our products have been rigorously tested to comply with current Australian Standards.

**PROUDLY AUSTRALIAN DESIGNED  
AND MADE IN AUSTRALIA BY  
AN AUSTRALIAN OWNED COMPANY**

**roofextenda**<sup>®</sup>  
PTY LTD  
*'A BETTER WAY'*



A.B.N: 39 073 621 208  
PO Box 373, Hastings Vic 3915  
Phone: 03 5978 8755 Fax: 03 5978 8016  
Email: [info@roofextenda.com.au](mailto:info@roofextenda.com.au)  
Website: [www.roofextenda.com.au](http://www.roofextenda.com.au)



# Roof Extenda Brackets

The original and still the  
best



**roofextenda**<sup>®</sup>  
PTY LTD  
*'A BETTER WAY'*