



**58506**

# SMART CURTAIN USER GUIDE



# WHY GRAYWIND?

We are a group of seekers for perfect life, looking for inspiration from the purest light and shadows. What we want to share is not only window decoration, but also technology, art and customization. We are committed to bringing convenient, pleasant and elegant life experience to every customer.



## **Ultra Smart Life**

Graywind embraces technology and persists in continual innovation as well as creating a brand new smart life experience, bringing our user a more convenient, safer and more enjoyable living environment.



## **Explore Pure Beauty**

Graywind represents the harmony between light and shadows, which grants the space graceful versatility and artistic sight. Our users can seek for the beauty of life and enjoy happiness.



## **Enjoy Freedom**

Graywind refuses to be mediocre and releases unique true self. We offer stylish designed product to our users. They can delight themselves, show themselves and release themselves without restriction of rule and enjoy from the freedom.



SOCIALIZE WITH US



## **SATISFIED**

If your motorized blinds are running without any issues, we invite you to activate product warranty.

1. Search **graywindblinds.com** or scan **QR code** to visit our website.
2. Register and click account to enter personal page.
3. Choose Product Activation tab, fill in info & order id, then submit.
4. Activation done.



## **DISSATISFIED**

- We will pre-program and double check before shipment. For battery motors, please charge them for 8-10 hours before first use.
- If the parcel you received isn't in good condition, please take photos and confirm whether they still work.
- Any after-sales questions, please scan the **QR code** and contact us. We are always at service 24/7.
- **Customer Service:**  
service@graywindhome.com



# CONTENTS

<b>A</b>	<b>INSTALLATION</b>	
	A-1. Preparation	1
	A-2. Accessories	2-3
	A-3. Retractable Version	
	Adjust Curtain Rod	4-6
	Outside Mount	7-10
	Inside Mount	11-13
	Installation Of Double Track	14-18
	Installation Of Curtain Fabric	19-20
	Installation Of Valance	21-22
	Methods Of Adding Hooks	23-26
	A-4. Joinable Version	
	Assembly Of Track	27-28
	Outside Mount	29-31
	Inside Mount	32-34
	Installation of Double Track	35-38
	Installation Of Curtain Fabric	39-40
	Installation Of Valance	41-42
	A-5. Take Down The Track	43

<b>B</b>	<b>PARAMETERS</b>	
	B-1. Motor	
	Installation	44
	Parameters	45
	Disassembly	46
	B-2. Aeolus® Remote Control	47
	Install The Battery	48
	Parameters	49-50

<b>C</b>	<b>APP CONTROL</b>	51
----------	--------------------	----

<b>D</b>	<b>REMOTE CONTROL PROGRAMMING</b>	52
	D-1. Enter Setting Mode	53
	D-2. Clock Setting	54
	D-3. Timing Setting	55-58
	D-4. Motor Programming	59-63

# A. INSTALLATION

## A-1 PREPARATION



\* Drilling hole size 6mm  
Recommended size of drill bit: 15/64"



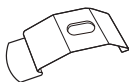
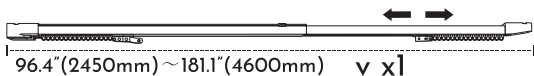
## SPECIAL FITTINGS

### RETRACTABLE VERSION

1 Regular Version



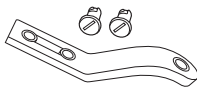
2 Extended Version



c<sub>1</sub> xn



c<sub>2</sub> xn



d<sub>2</sub> x1



Spare Parts  
A xn

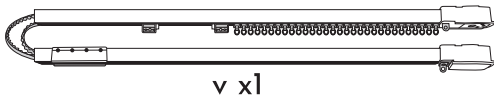


Spare Parts  
B xn

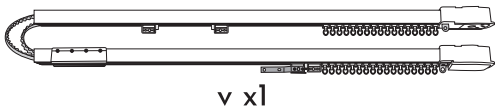
---

### JOINABLE VERSION

One-Way Draw



Split Draw





$c_3 \times n$



$d_3 \times 1$



$s_2 \times 2$

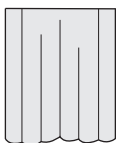


$d_4 \times 1$

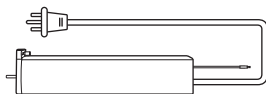


$d_5 \times 1$

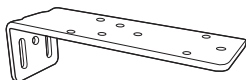
## COMMON FITTINGS



L



j x1



b x n



f x n



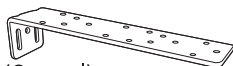
$s_1 \times n$



$d_1 \times 2$



u x1



(Optional)  
Double-Curtain Brackets

$b_1 \times n$

## VALANCE (OPTIONAL):



h x n



i x1



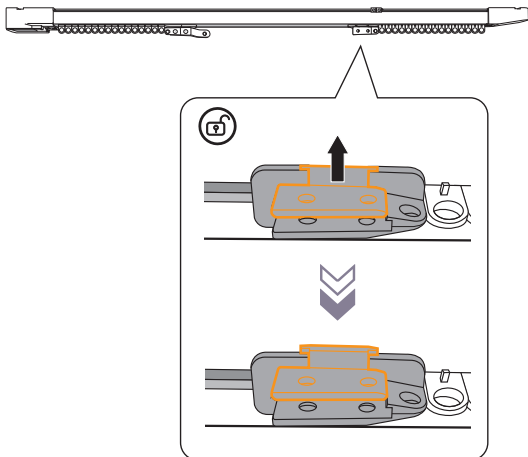
p x2

## A-3 RETRACTABLE VERSION

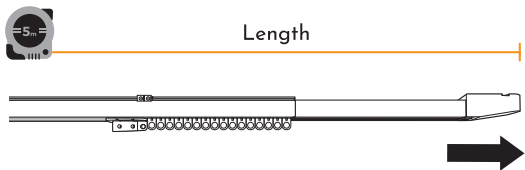
4

### ADJUST CURTAIN ROD

1



2 Stretch to your desired length.

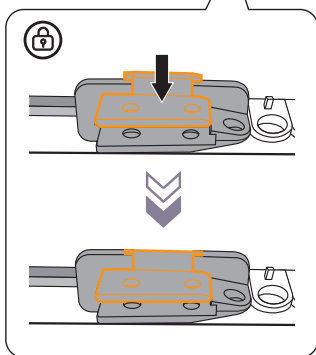


3

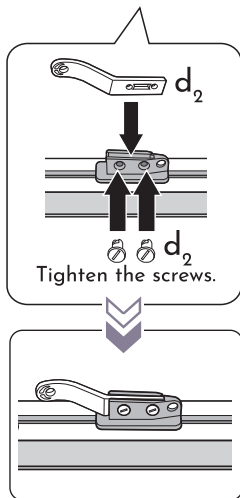
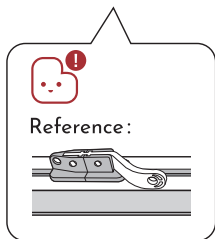




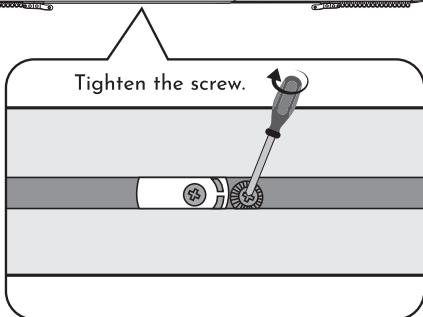
4



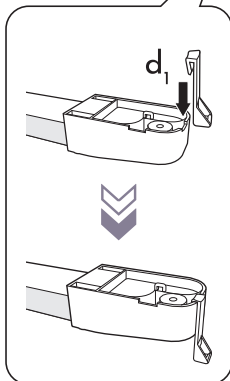
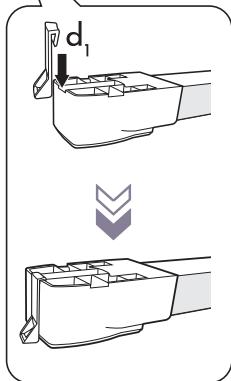
5



6

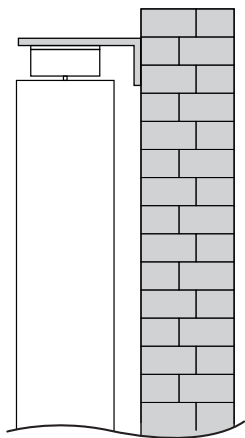
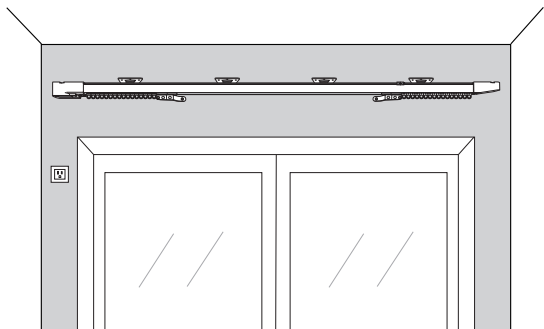


7

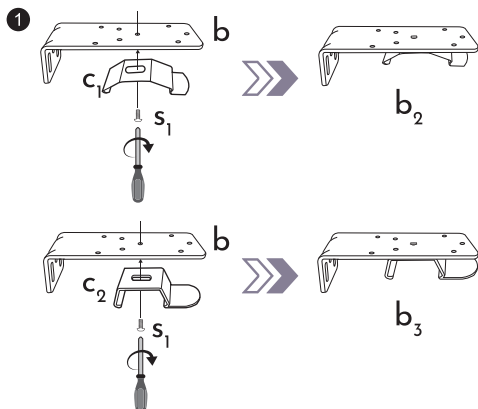


# OUTSIDE MOUNT

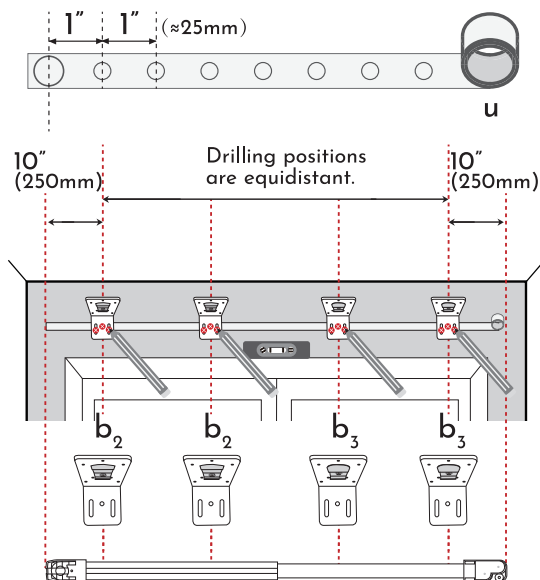
7



\* The Side View

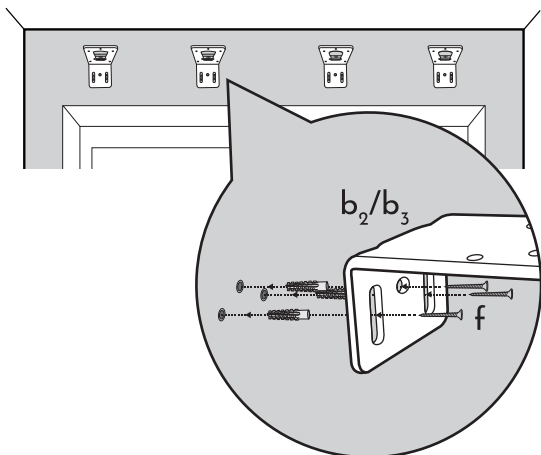


- 2 Stick the tape on the wall horizontally and leave 10" of space on both sides.

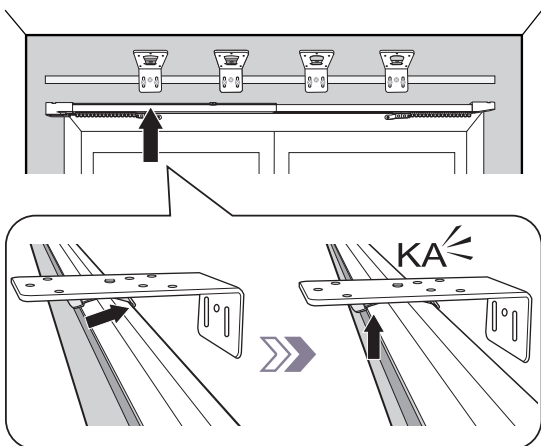


$b_2$  is used to clamp the wider part of the track.  
 $b_3$  is used to clamp the narrower part of the track.

3 Drill holes & install mounting brackets.

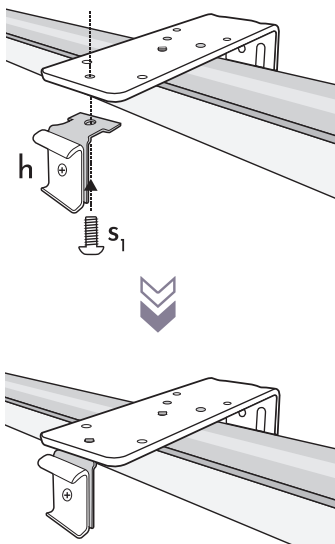


4 Install the track.

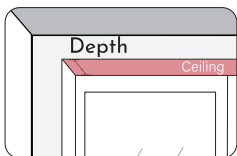
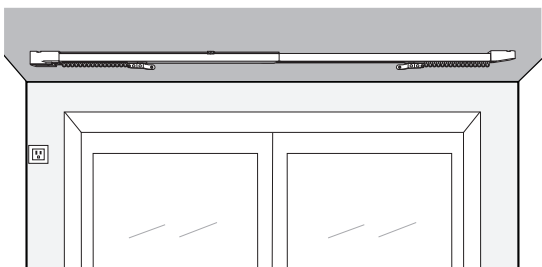


**5** Install valance brackets.

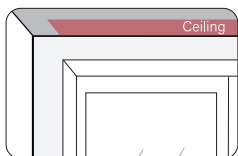
\*Please skip this step if valance is not ordered.



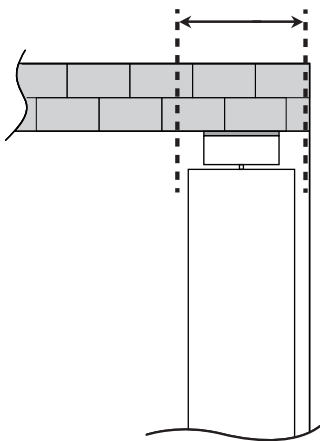
# INSIDE MOUNT



or

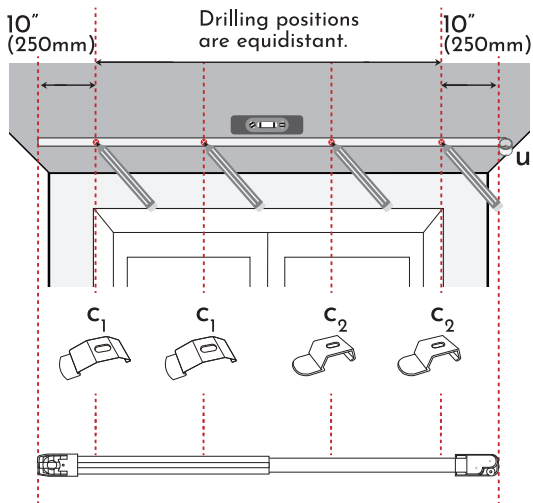
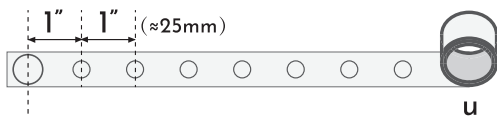


Depth  $\geq 6"$  (150mm)



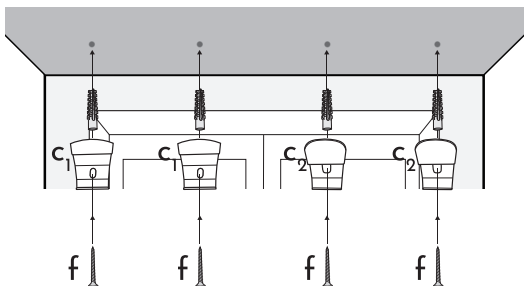
\* The Side View

- 1 Stick the tape on the wall horizontally and leave 10" of space on both sides.

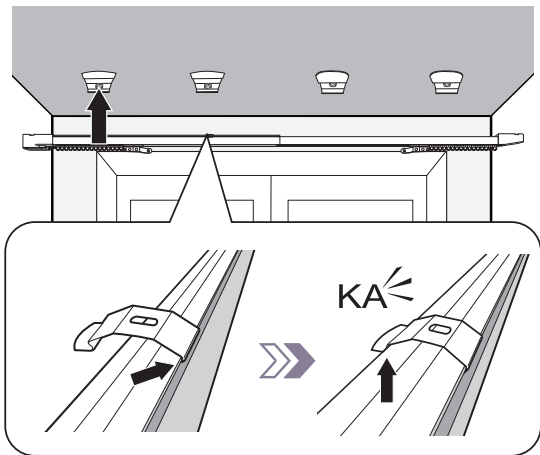


- C<sub>1</sub> is used to clamp the wider part of the track.  
C<sub>2</sub> is used to clamp the narrower part of the track.

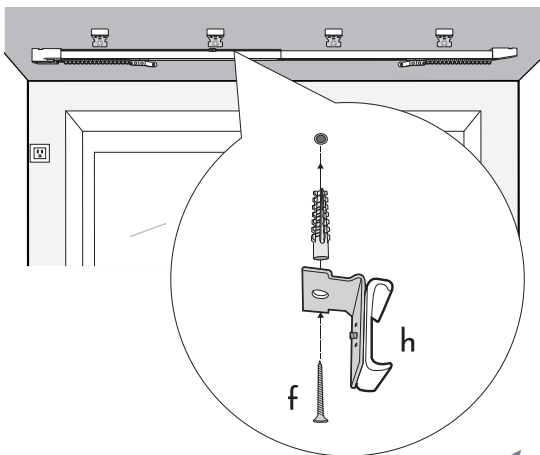
- 2 Drill holes & install mounting brackets



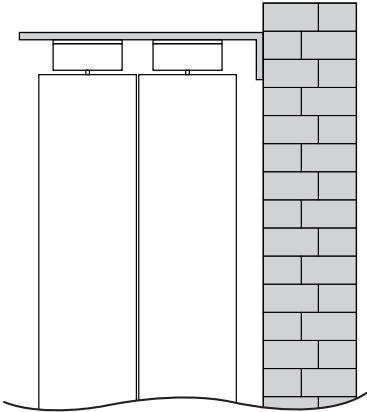
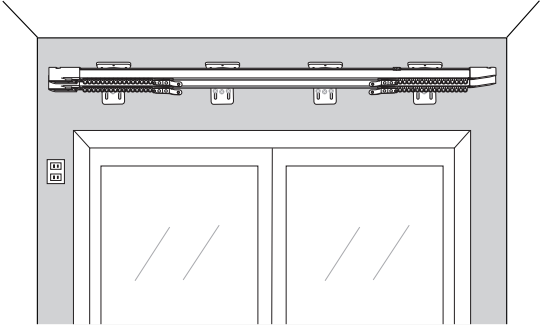


**3** Install the track.**4** Install valance brackets.

\*Please skip this step if valance is not ordered.

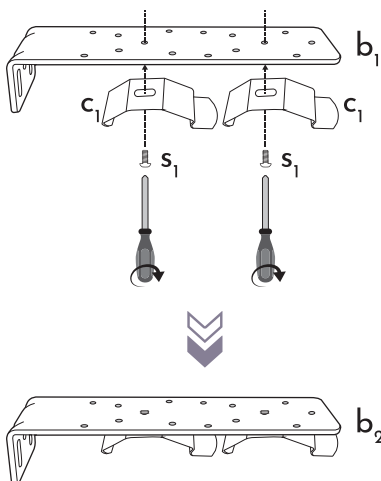


# INSTALLATION OF DOUBLE TRACK

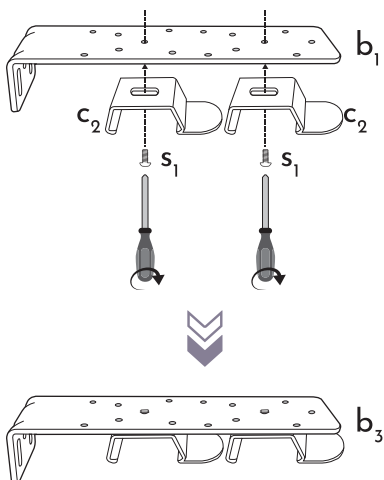


\* The Side View

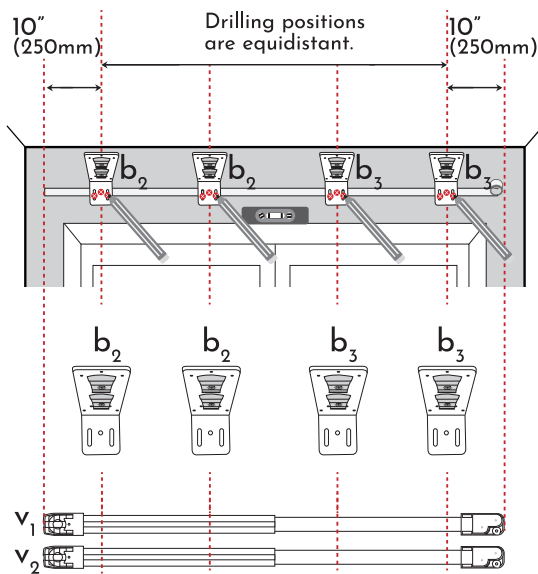
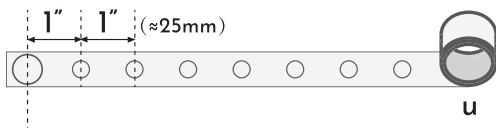
1



2

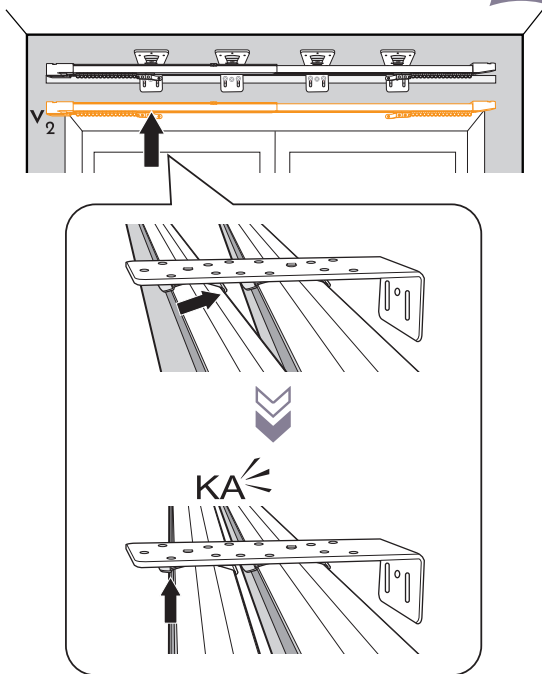


- 3 Stick the tape on the wall horizontally and leave 10" of space on both sides.

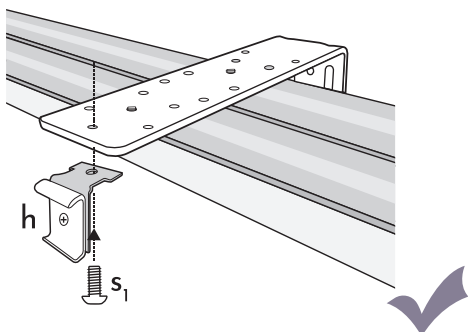


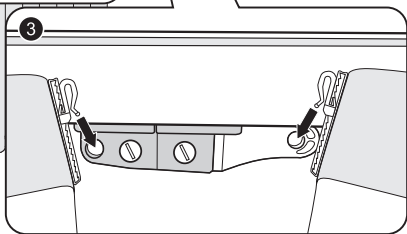
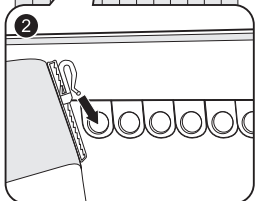
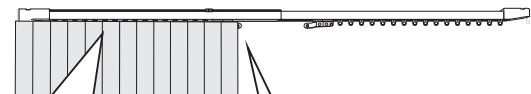
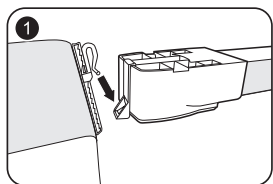
$b_2$  is used to clamp the wider part of the track.  
 $b_3$  is used to clamp the narrower part of the track.

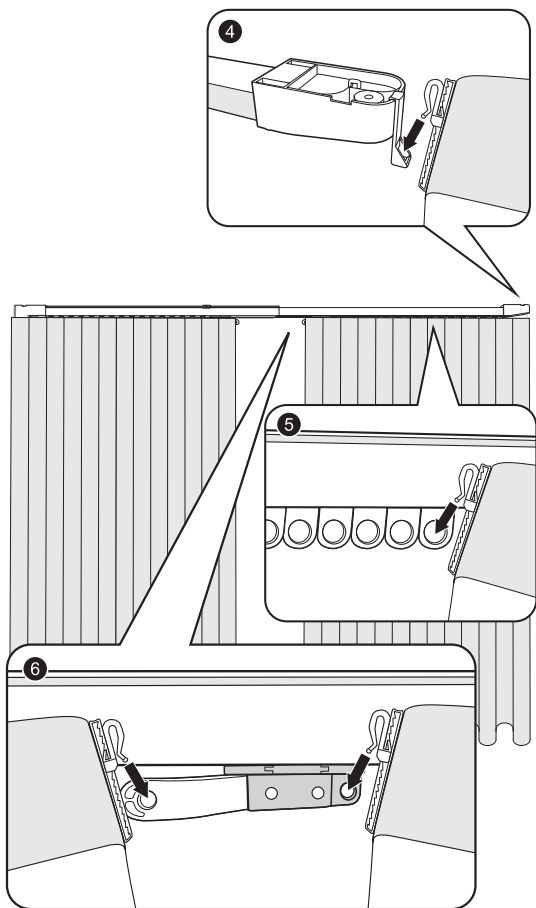


**6** Install the outer track.**7** Install valance brackets.

\*Please skip this step if valance is not ordered.





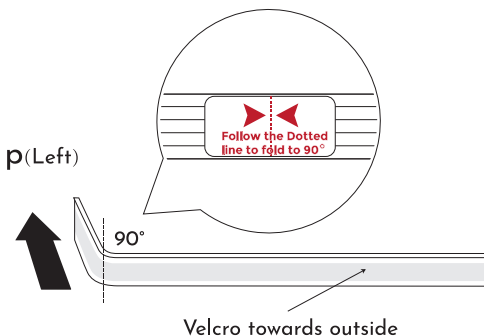
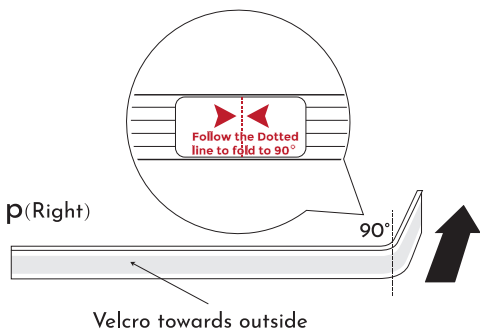




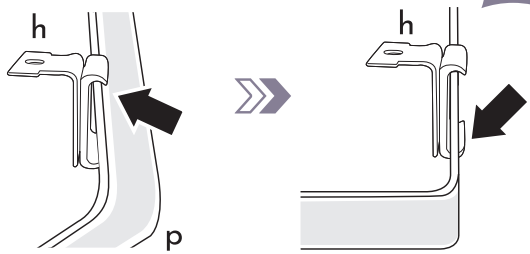


Bending the valance rod may cause the crease. But it will not affect the performance of product.

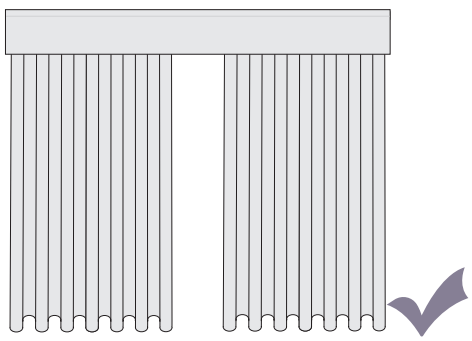
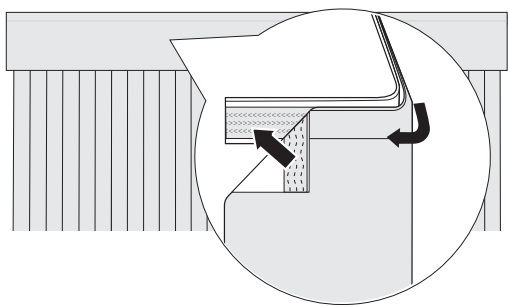
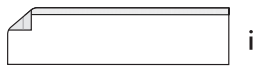
## 1 Installation of valance rod "p".




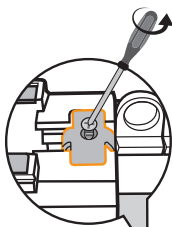
2



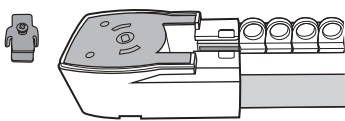
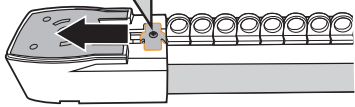
3 Installation of valance fabric.



Please add the corresponding hook spare part "A"  according to the shape of the left hooks of the pole:



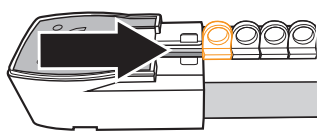
Loosen the screw and remove the fixings.

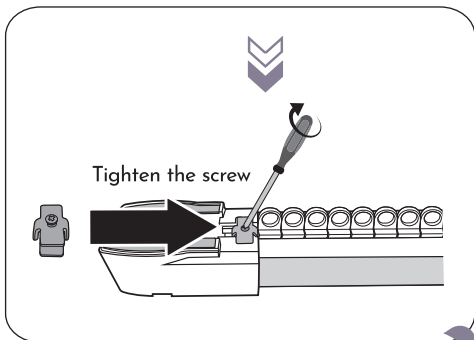



Install spare part "A".

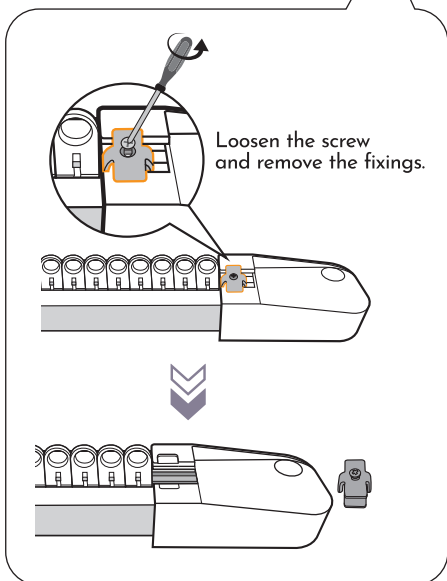
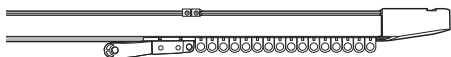


A



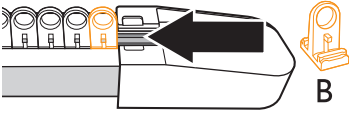


Please add the corresponding hook spare part "B"  according to the shape of the right hooks of the pole:

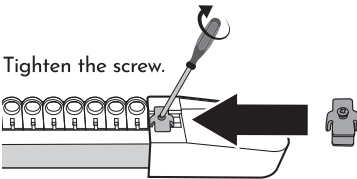




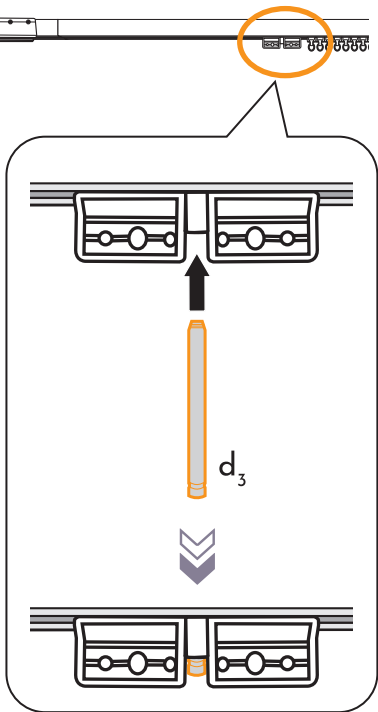
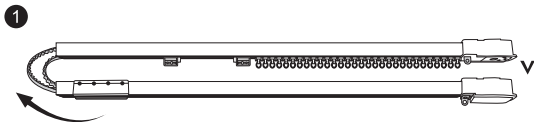
Install spare part "B".



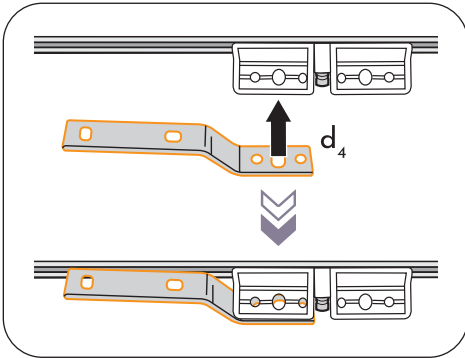
Tighten the screw.



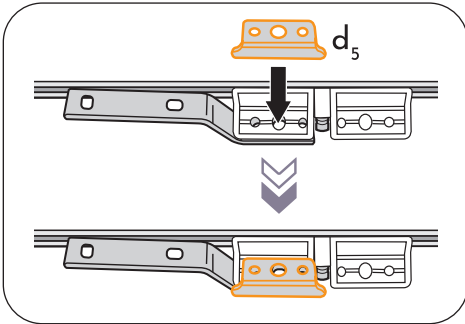
ASSEMBLY OF TRACK



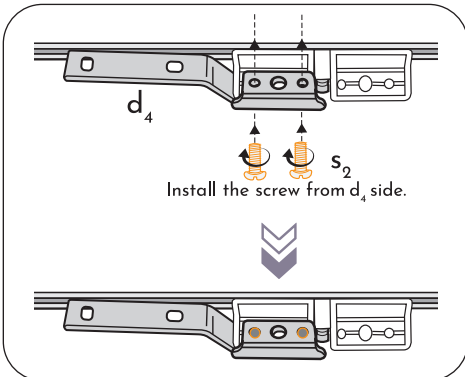
4



5



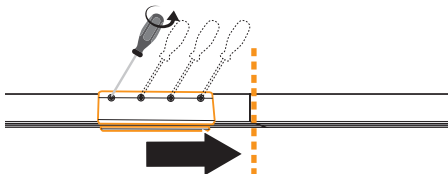
6



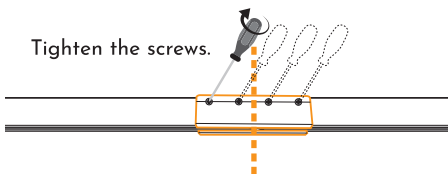
7



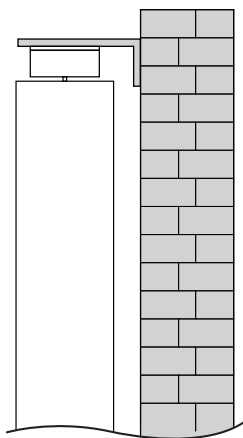
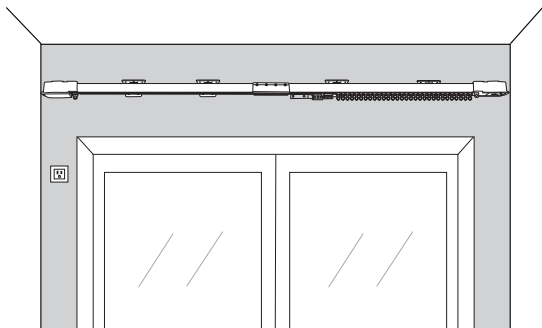
Loosen the screws and move to the middle.



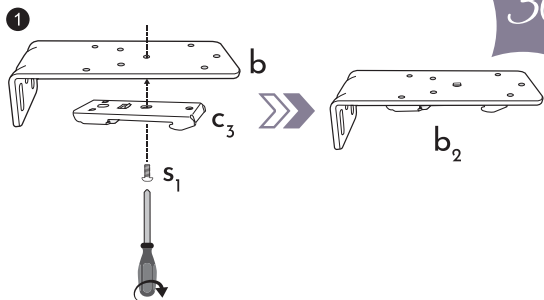
Tighten the screws.



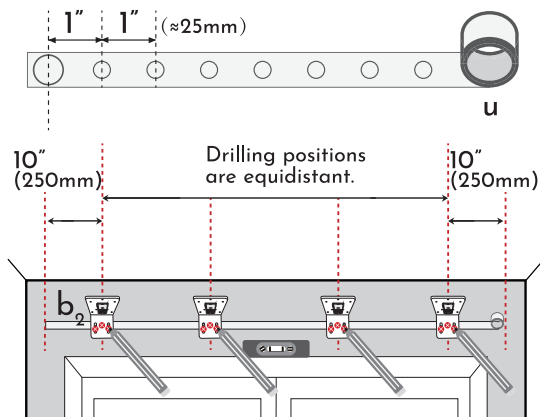




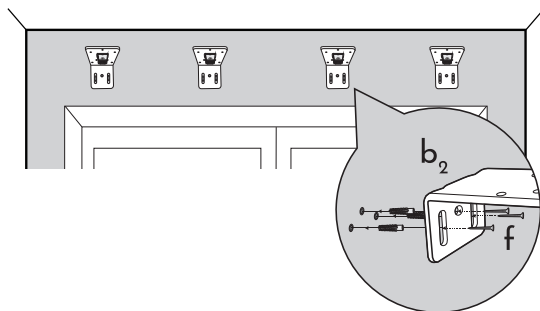
\* The Side View

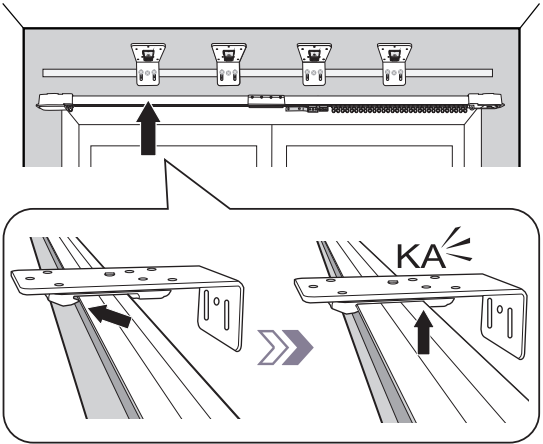


- 2 Stick the tape on the wall horizontally and leave 10" of space on both sides.

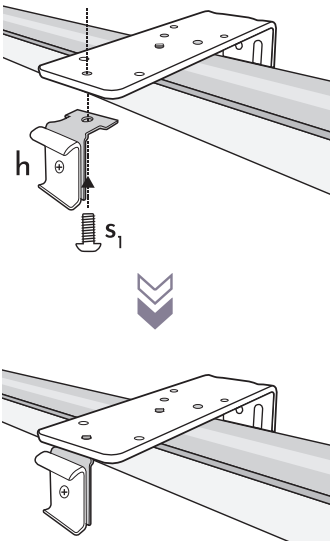


- 3 Drill holes & install mounting brackets

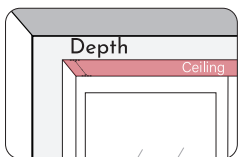
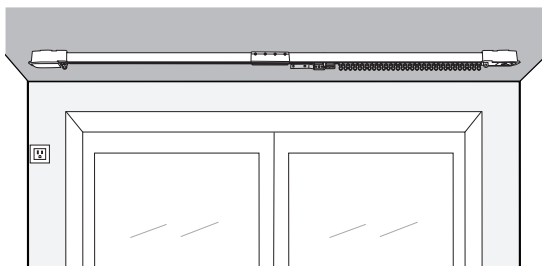


**4** Install the track.**5** Install valance brackets.

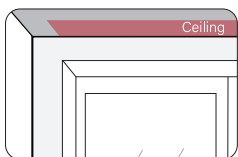
\*Please skip this step if valance is not ordered.



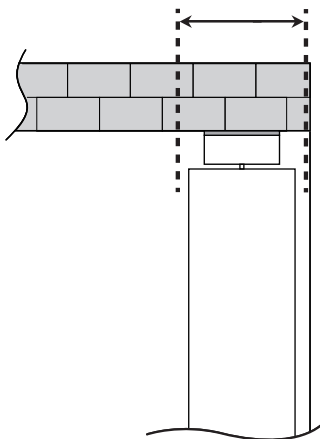
# INSIDE MOUNT



or

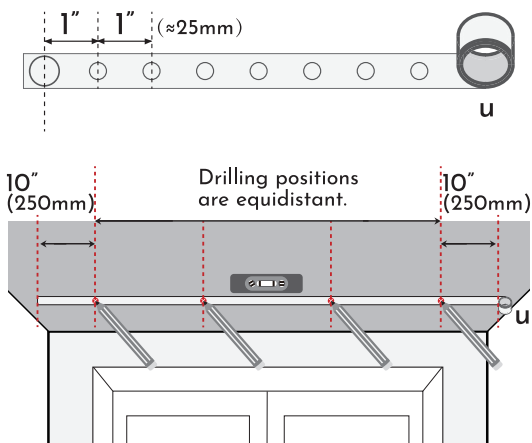


Depth  $\geq 3"$  (65mm)

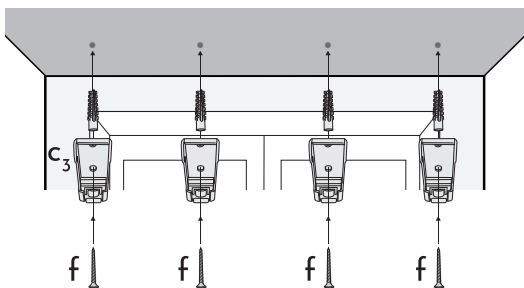


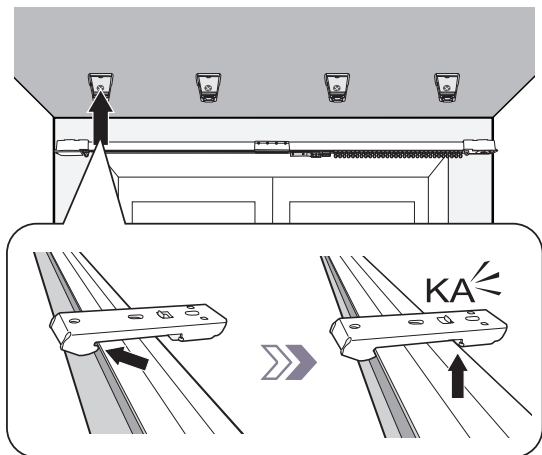
\* The Side View

- 1 Stick the tape on the wall horizontally and leave 10" of space on both sides.

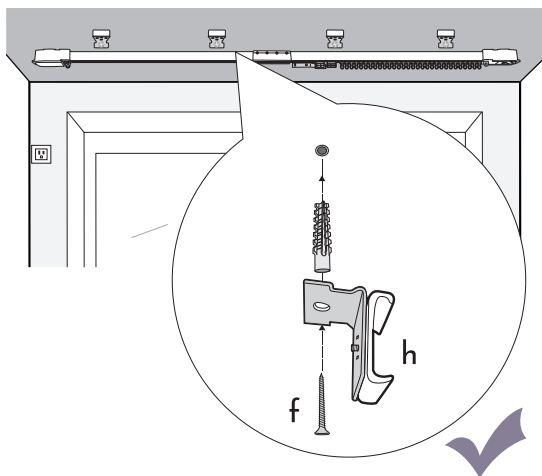


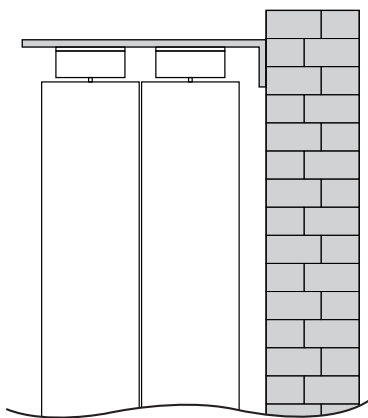
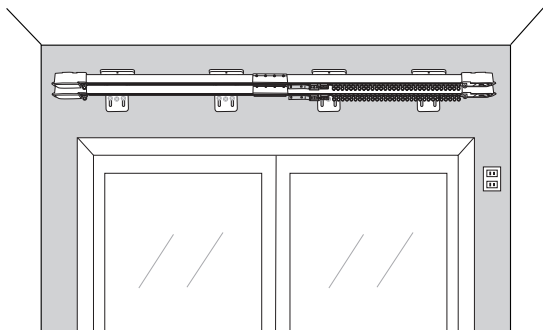
- 2 Drill holes & install mounting brackets.



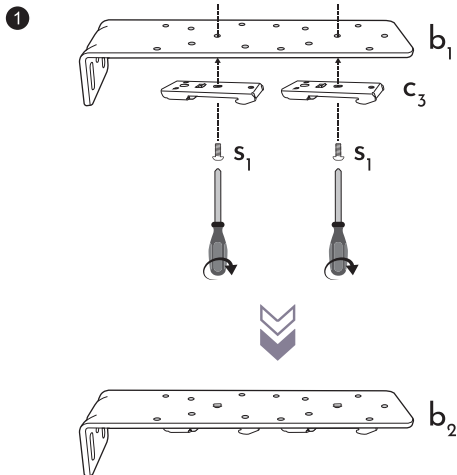
**3** Install the track.**4** Install valance brackets.

\*Please skip this step if valance is not ordered.

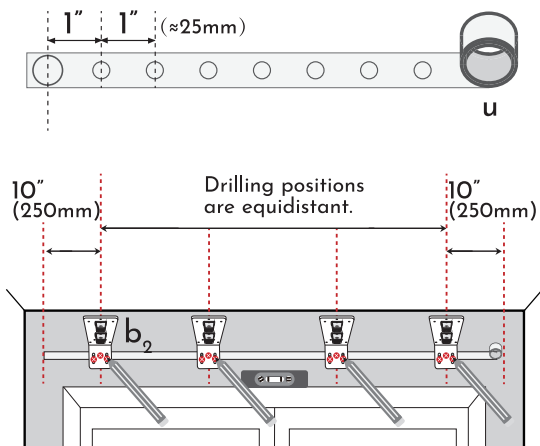




\* The Side View

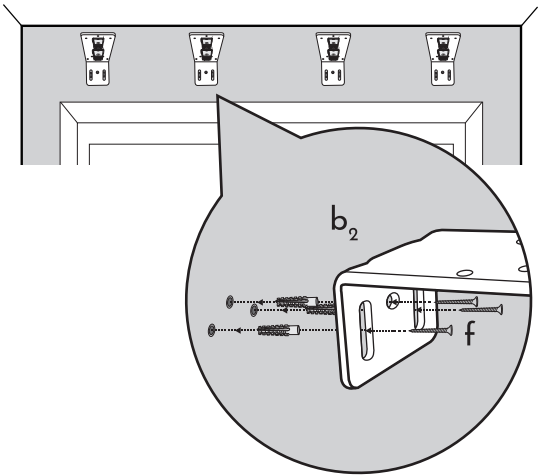


- 2 Stick the tape on the wall horizontally and leave 10" of space on both sides.

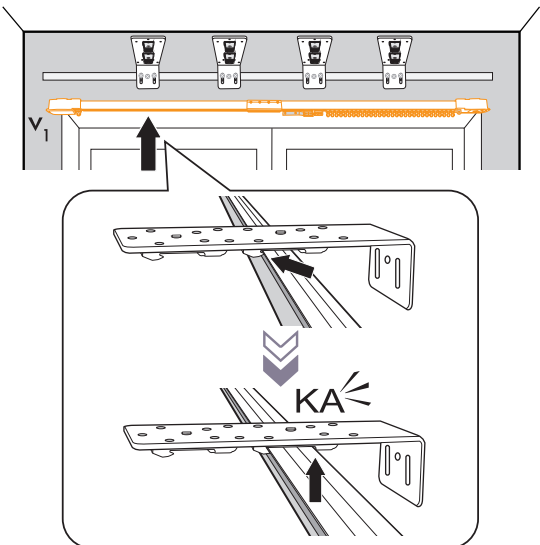


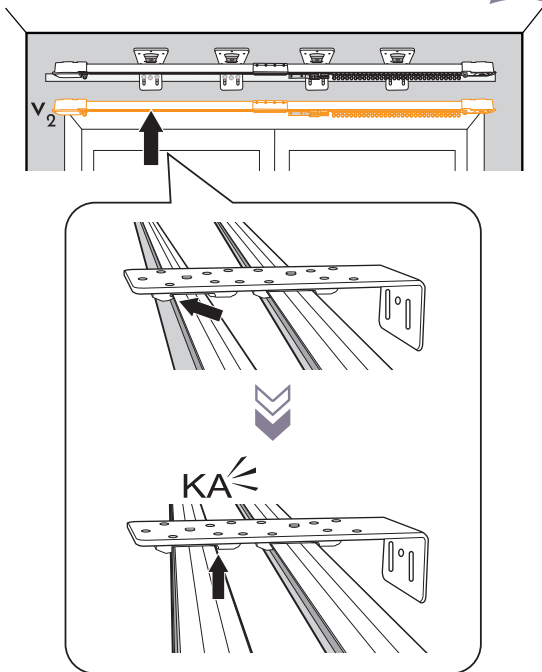


- 3 Drill holes & install mounting brackets.

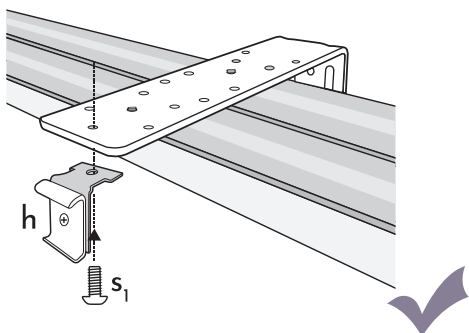


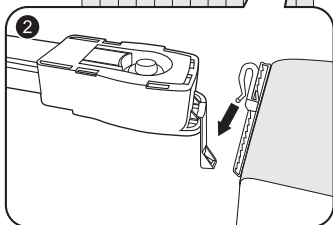
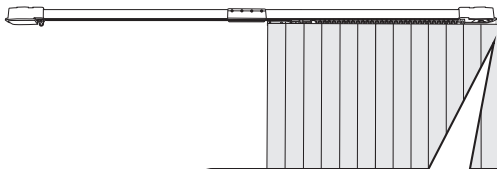
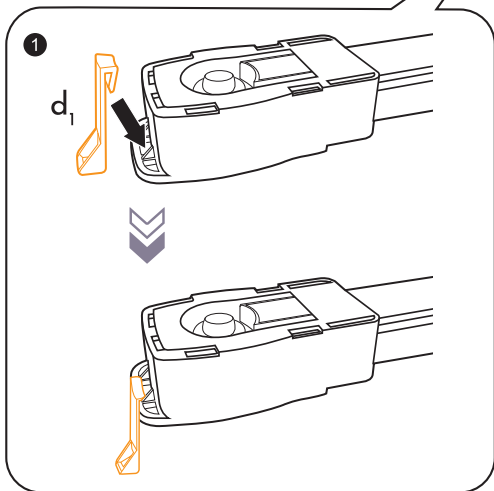
- 4 Install the inner track.

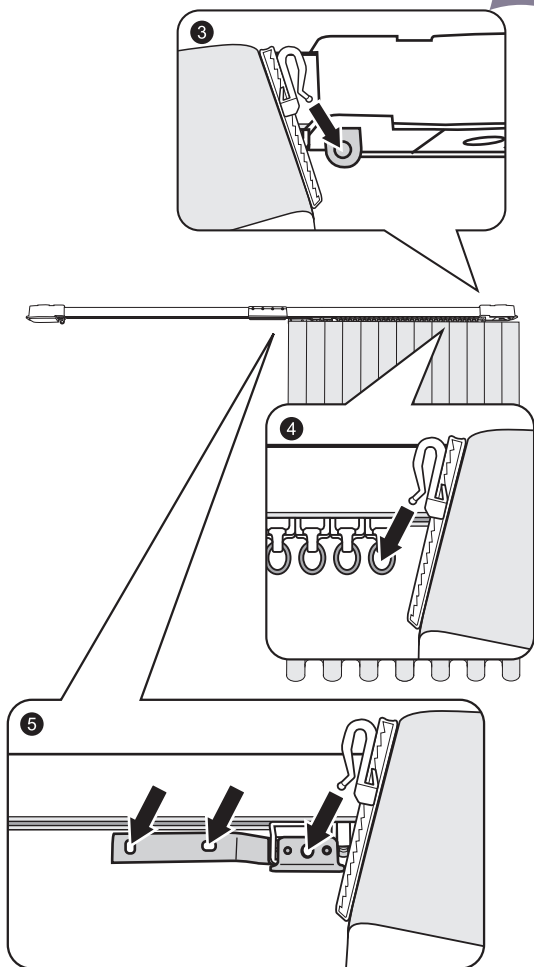


**6** Install the outer track.**7** Install valance brackets.

\*Please skip this step if valance is not ordered.







## INSTALLATION OF VALANCE

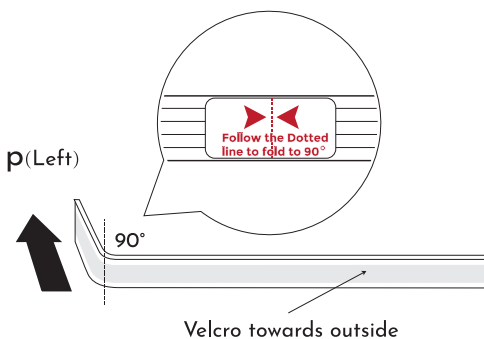
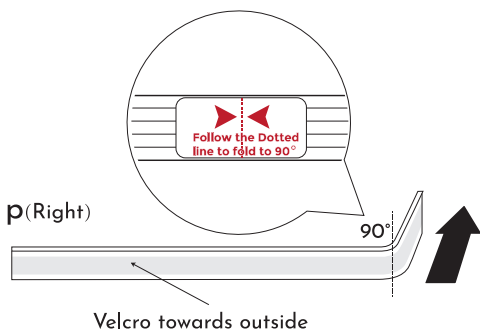
41

 p x2

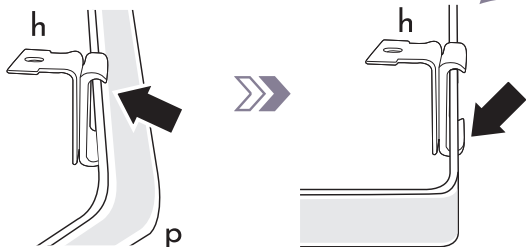


Bending the valance rod may cause the crease. But it will not affect the performance of product.

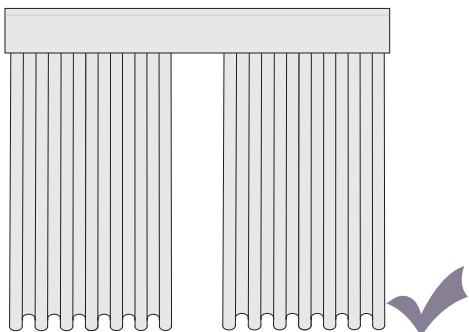
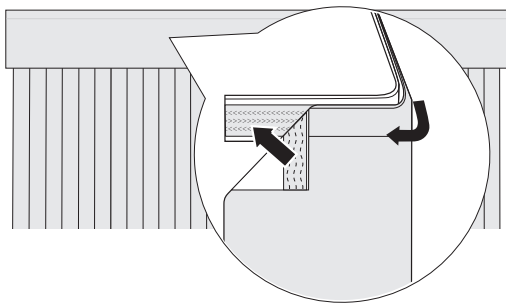
### 1 Installation of valance rod "p".

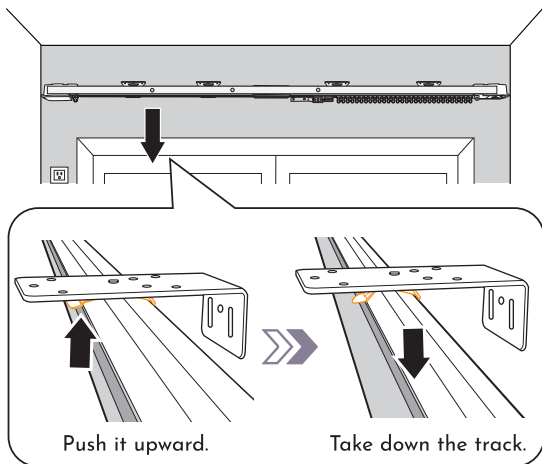
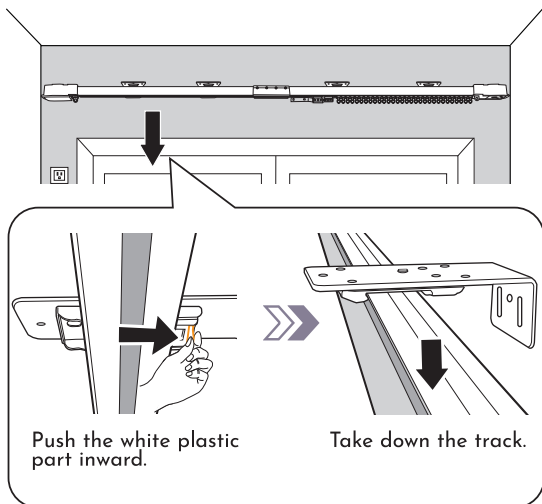


2



3 Installation of valance fabric.



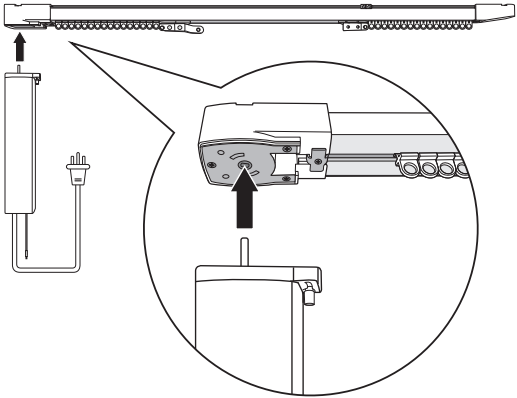
**A-5 TAKE DOWN THE TRACK****RETRACTABLE VERSION****JOINABLE VERSION**

# B. PARAMETERS

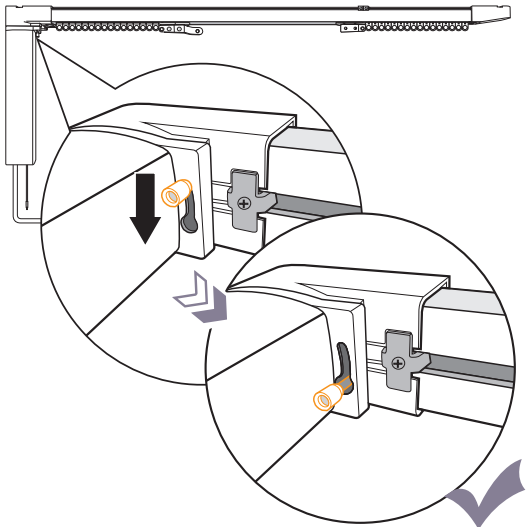
## B-1 MOTOR

### INSTALLATION

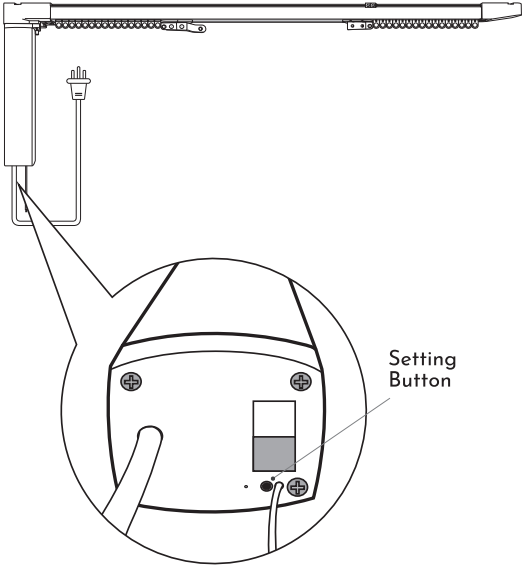
①



②

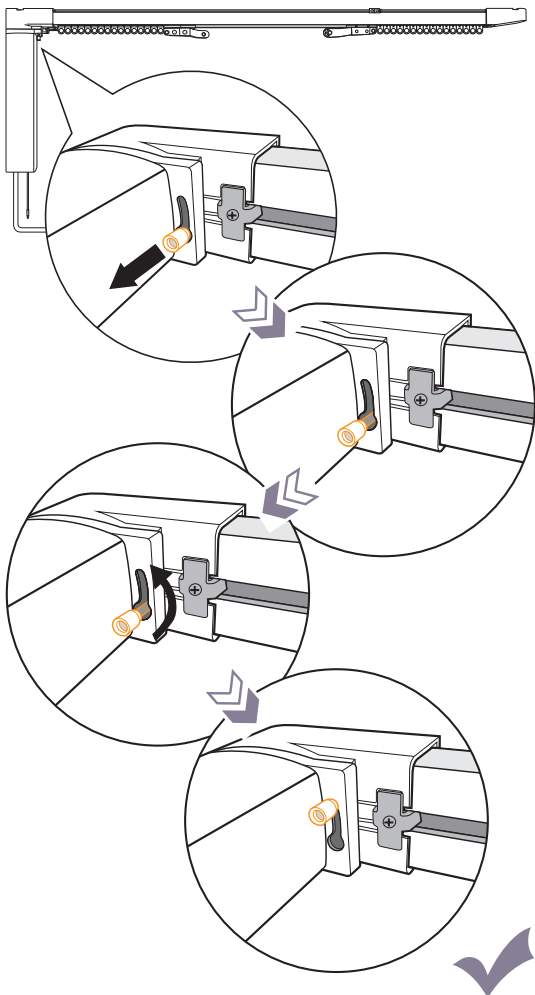








Please skip this step unless you want to take the motor down.





Wall Holder



S x2

## INSTALL THE BATTERY

48



Your curtain has been programmed, please control it after installation.

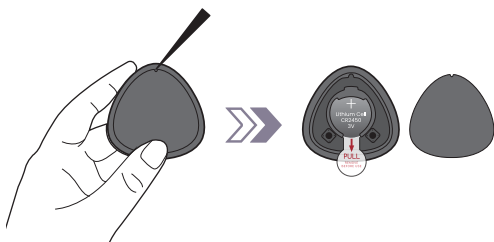
1



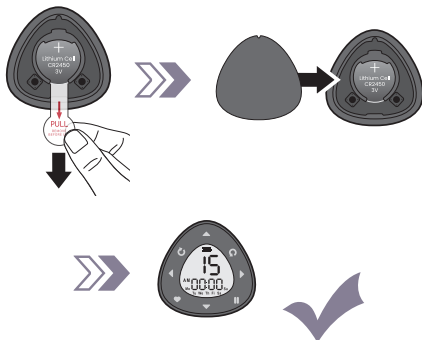
2 Use a pen to pry the back cover of the remote



Slightly press the back cover to prevent it from popping out.

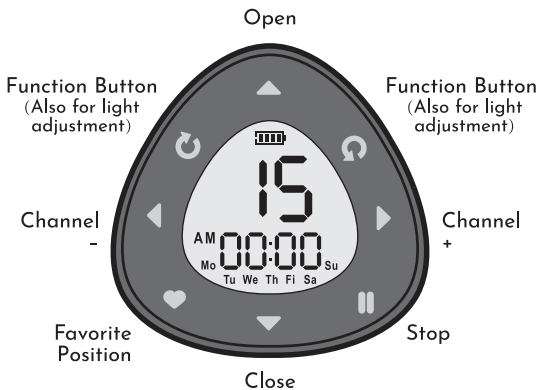


3 Remove the insulating sheet

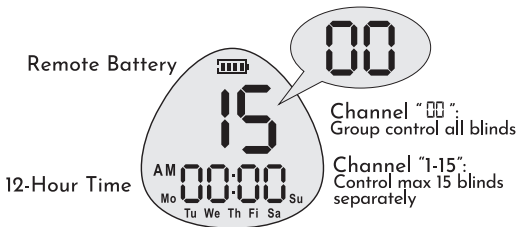


# PARAMETERS

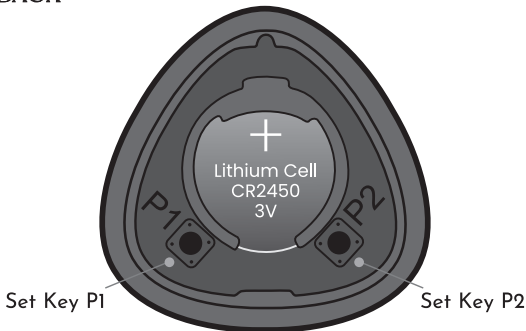
## FRONT



## SCREEN



## BACK

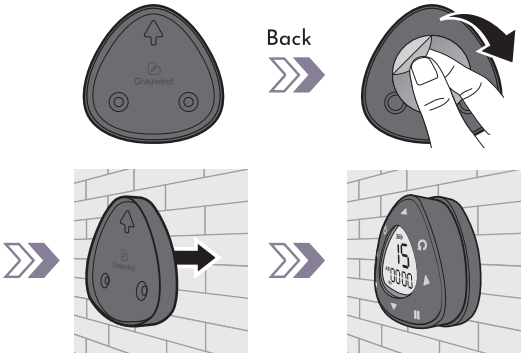


HAND HOLDER:

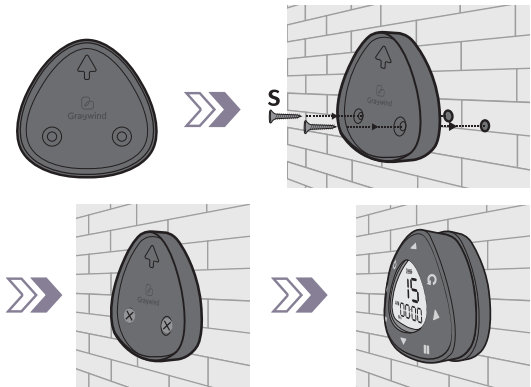


WALL HOLDER:

Method 1



Method 2



## C. APP CONTROL

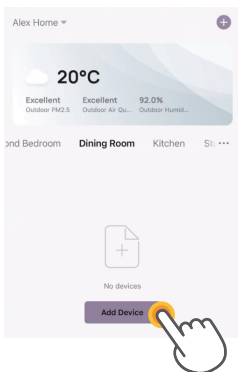
- 1 Download & Open "Graywind" APP



Graywind Home



- 2 Sign Up/ Log In
- 3 Click "Add Device" on home page, press "AC Curtain 2.0", then follow steps.



- 4 Please scan the QR code for specific operations.

PDF Version & Video Guide:



## D. REMOTE CONTROL PROGRAMMING

52

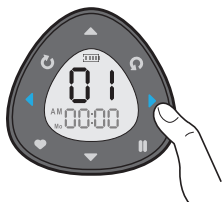




## D-1 ENTER SETTING MODE

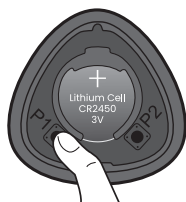
- 1. It will exit setting mode if pressing "◀" or "▶".
- 2. It will exit setting mode if there is no operation for 3 mins.

1



Press "◀" or "▶",  
choose the channel you  
want to set from "1-15"

2



Hold "P1" for 5s



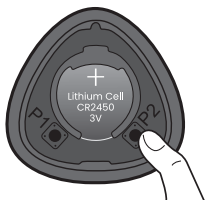
Channel flashes, enter setting mode.

## D-2 CLOCK SETTING



Please ensure the remote is in setting mode before doing steps below:

1



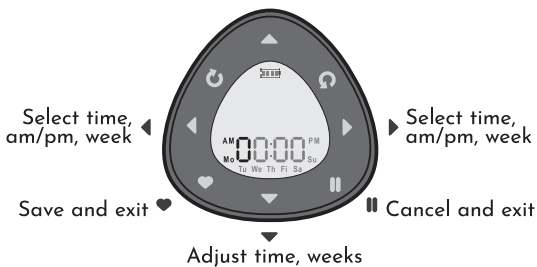
Hold " P2 " for 5s



"Hour" icon flashes

2

Adjust time, weeks



## D-3 TIMING SETTING

### SET:



1. You can set at most 20 groups of timing for each remote.
2. Please ensure the remote is not in setting mode before setting timing. If it's in setting mode, please refer to page 53 to exit setting mode.

- 1 Enter timing setting.



Hold "♥" & "||" for 3s

- 2 Add new timing.



Hold "↻"

- 3 Set Time.



Press "◀" or "▶" to switch between hr and min, the selected part will be flashing.

Press "▲" or "▼" to select the numbers.

- 4 Set AM/PM.



Press "▶" and enter into AM/PM selection. Press "◀" or "▶" to choose.

Press "▲" to save and "⊖" icon will show up. Press "▼" to cancel and "⊖" icon will disappear.

5 Set the day of the week (Multi-choice).

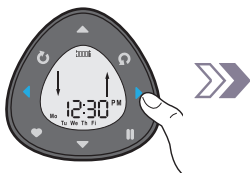


Press "◀" or "▶" to select the day of the week. The selected one will be flashing.



Press "▲" to save and "⊕" icon will show up. Press "▼" to cancel and "⊕" icon will disappear.

6 Set action of the blind.

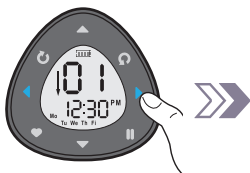


Press "◀" or "▶" to switch between open and close, the selected one will be flashing.



Press "▲" to save and "⊕" icon will show up. Press "▼" to cancel and "⊕" icon will disappear.

7 Set channels (Multi-choice).



Press "◀" or "▶" to select the channel number. The selected one will be flashing.



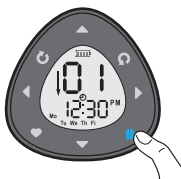
Press "▲" to save and "⊕" icon will show up. Press "▼" to cancel and "⊕" icon will disappear.

8



Press "♥" to save the setting.

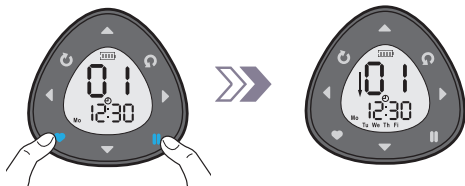
9



Press "||" to exit timing setting

## DOUBLE CHECK:

1 Enter timing setting



Hold "♥" & "||" for 3s

2 Confirm timing group

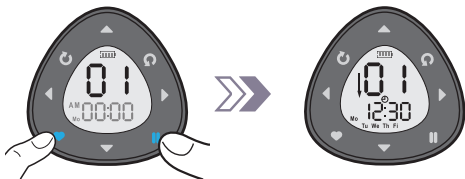


Press "◀" or "▶" to select the group of timing.

3 Confirm channels in the group



Press "▲" or "▼" to check the channels in the group.

**MODIFY:****① Enter timing setting**

Hold "♥" & "||" for 3s

**② Select timing group**

Press "◀" or "▶" to select the group of timing.

**③ Modify timing group**

Hold "Q" to enter in the group of timing and modify.



1. The way to modify can be referred by step 3-9 in D-3(P55-P57).
2. When you modify the time, please note: 00:00 means delete this timing group.

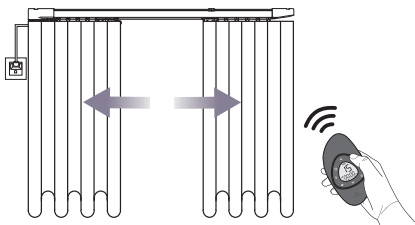
## D-4 MOTOR PROGRAMMING

### SET FAVORITE POSITION



1. Before setting the favorite running position, please make sure the fully-open and fully-closed limit positions are already set.
2. Please ensure the remote is in setting mode before doing steps below:

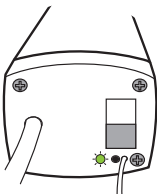
- 1 Run the curtain to favorite position you want to set (except fully open and fully closed)



2



Press "♥" & "||"

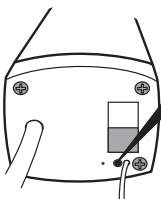


Green light flashing

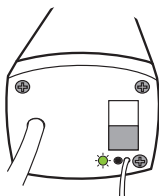


# HOW TO CHANGE OPEN/CLOSE DIRECTION

1

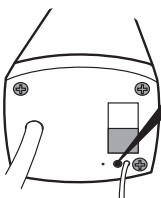


Hold for **5s**

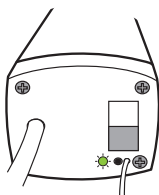


Green light flashes **2x**

2



Hold for **2s**



Green light flashes **5x**





## DELETE LIMIT POSITIONS

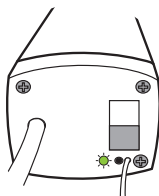
61



1. All limit positions will be deleted if doing steps below.
2. Please ensure the remote is in setting mode before doing steps below:



Press "▲" & "▼"



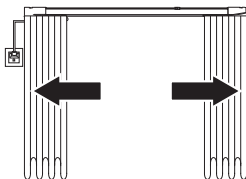
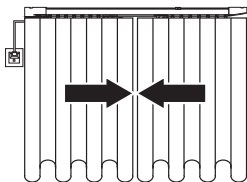
Green light flashing



## SET LIMIT POSITIONS



Press "▲"

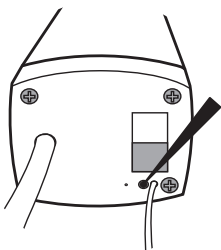


## UNPAIR THE MOTOR

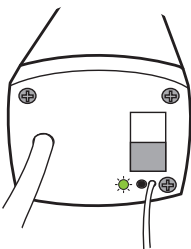
62



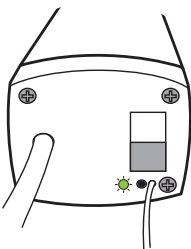
Your remote will not be able to control the curtain after doing steps below.



Hold for 10s



Green light slowly flashes 3x



Green light quickly flashes 5x

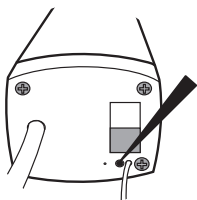


# REPAIR THE MOTOR

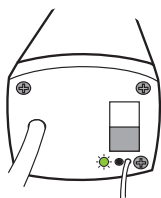


Please ensure the remote is in setting mode before doing steps below:

1

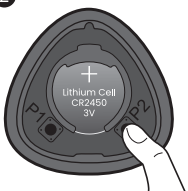


Hold for 2s



Green light flashes 1x

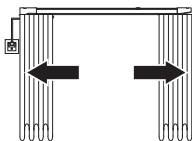
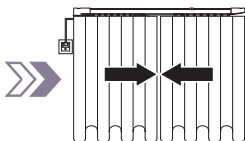
2



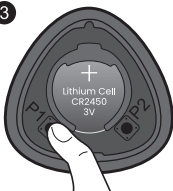
Press "P2" 2X



"H2" shows on the screen



3



Press "P1"



"AA" shows on the screen



## 🔗 ENGLISH VERSION |

Please scan the QR code below to get the PDF manual in English.

## 🔗 GERMAN VERSION |

Bitte scannen Sie den untenstehenden QR-Code, um die PDF-Broschüre auf Deutsch zu erhalten.

## 🔗 JAPANESE VERSION |

以下のQRコードをスキャンして、日本語のPDFマニュアルを入手してください。

