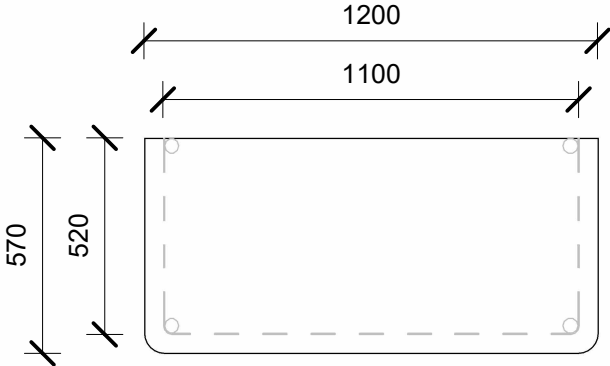


SPECIFICATION - EVE VANITY

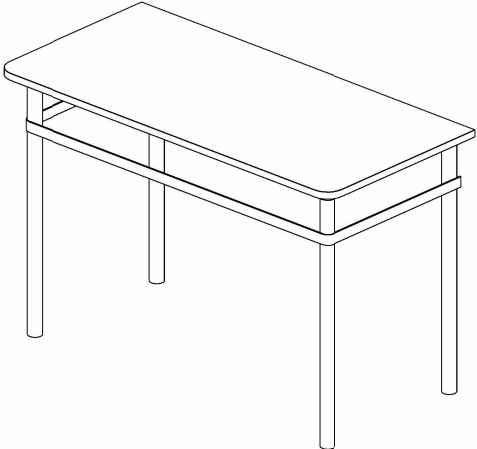


Studio xOx

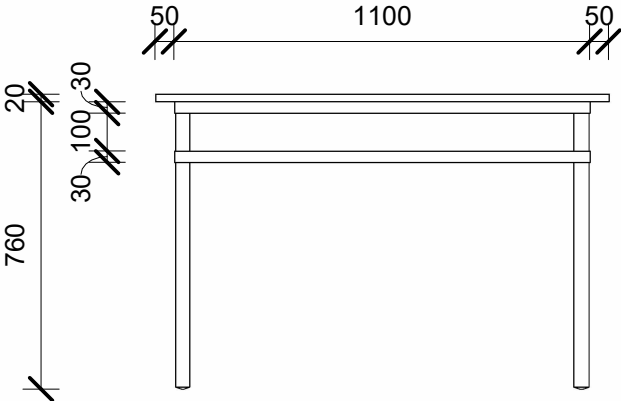
159 Bunnerong Road
Kingsford NSW 2032
studioox.com.au
ABN: 32576268928



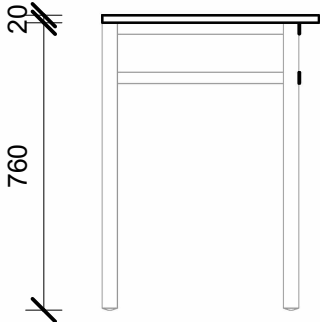
PLAN VIEW - EVE VANITY
1:20 @ A4



3D VIEW - EVE VANITY
1:20 @ A4



ELEVATION VIEW - EVE VANITY
1:20 @ A4



SECTION VIEW - EVE VANITY
1:20 @ A4