



WatchGuard® AP

Quick Start Guide

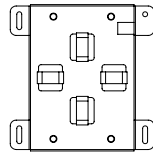
AP332CR

Schnellstartanleitung

Guía Rápida

Guide de démarrage rapide

クイックスタート・ガイド



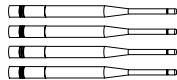
Mounting Bracket



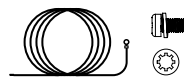
Mounting Screws



Pole Mount Straps x 2



Antennas x 4
(2 x 2.4GHz, 2 x 5GHz)



Ground Cable and Screw

1 ACTIVATE Activer Aktivieren Activar 有効化する

watchguard.com/activate

Activate Products

1 Enter Serial Number or License Key 2 Add Product Details 3 Activate

Step 1: Enter A Serial Number Or License Key

Devices

To activate a new device, enter the serial number exactly as it appears on the device label (physical devices) or in the fulfillment email (virtual devices). Include any hyphens.

Other License Types

To activate software, services, add-ons, renewals, or other types of licenses, enter the license key from your fulfillment email or online store receipt.

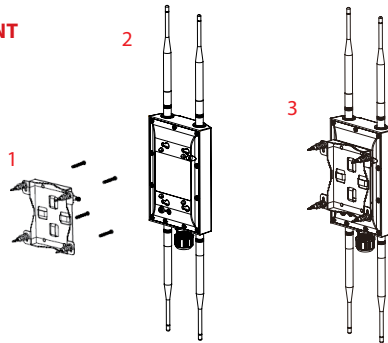
Enter a Serial Number or License Key

NEXT

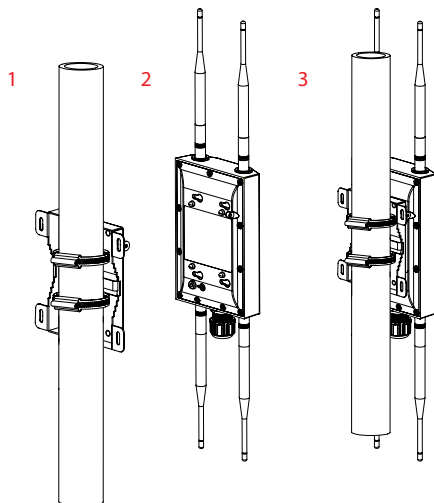


2 INSTALL Installer Installieren Instalar インストールする

WALL MOUNT



POLE MOUNT



3 CONNECT Connector Verbinden Conectar 接続する

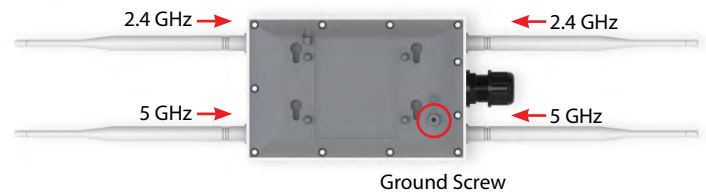
TOP



BOTTOM



REAR



POWER REQUIREMENTS

PoE+ (802.3at) (54V DC, 0.6A)

Power Options

WG8602 (AU), WG8601 (UK), WG8600 (EU), WG8599 (US)

WatchGuard 802.3at PoE+ Injector with AC cord



Wi-Fi in WatchGuard Cloud



watchguard.com/start

Hereby, WatchGuard Technologies Inc. declares that the radio equipment type AP332CR Wireless Access Point is in compliance with Directive 2014/53/EU. The full text of the EU declaration of conformity is available at: <https://www.watchguard.com/wgrd-help/documentation/hardware-guides>

This device has software that cannot affect compliance with the Radio Equipment Directive (RED) 2014/53/EU, even if the software is changed or replaced.

This device is restricted to indoor use when operating in the 5150 to 5350 MHz frequency range in the indicated countries.

AT	BE	BG	CH	CY	CZ
DE	DK	EE	EL	ES	FI
FR	HR	HU	IE	IS	IT
LI	LT	LU	LV	MT	NL
NO	PL	PT	RO	SE	SI
SK	TR	UK(NI)			

Radio Frequencies	Max Power
2412 - 2472 MHz	19.89 dBm
5150 - 5700 MHz	29.83 dBm

NOTICES: Avis Hinweiss Avisos お知らせ

All WatchGuard products are designed and tested to meet strict safety requirements. These requirements include product safety approvals and other global compliance standards. Please read these instructions carefully before operating the product, and refer to them as needed to ensure the continued safe operation of your product. Additional information about the hardware, including additional languages, a full list of safety approvals, global compliance standards, and certifications can be found in the Hardware Guide for this device located on the WatchGuard website:

<https://www.watchguard.com/wgrd-help/documentation/hardware-guides>

- Do not place objects on the power cord.
- Do not obstruct the ventilation openings. These openings prevent overheating of the machine.
- Never push objects of any kind into slots or openings on this equipment. Making a contact with a voltage point or shorting out a part may result in fire or electrical shock.
- When removing or installing an appliance, follow the general installation safety instructions.

If protective earthing is used as a safeguard, the instructions shall require connection of the equipment protective earthing conductor to the installation protective earthing conductor (for example, by means of a power cord connected to a socket-outlet with earthing connection). To meet safety and electromagnetic interference (EMI) requirements, you must make sure the power source is connected to earth ground before you connect power to the device.

Connect the PoE interface only to PoE networks, without routing to the outside plant.

This product is intended to be supplied by a Listed Power Adapter or DC power source marked "L.P.S." (or Limited Power Source or PS2) rated 54V DC, 1A minimum, maximum ambient temperature (Tma)=40°C, or supplied by a Listed PoE Adapter marked "L.P.S." (or Limited Power Source or PS2) rated 54VDC, 0.6A minimum, maximum ambient temperature (Tma)=40°C. For more information regarding approved power sources, see the Hardware Guide for this device.



To protect your outdoor AP from electrical events, we recommend you ground the AP with the included ground wire based on your local regulations.

Um Ihren AP im Außenbereich vor elektrischen Problemen zu schützen, empfehlen wir, den AP gemäß den lokalen Vorschriften mit dem bereitgestellten Erdungskabel zu erden.

Para proteger su PA exterior de eventos eléctricos, recomendamos que lo conecte a tierra con el cable de conexión a tierra incluido, según sus regulaciones locales.

A fim de proteger seu AP para ambientes externos contra eventos elétricos, recomendamos aterr-lo com o fio de aterramento incluído conforme a regulamentação local.

Per proteggere l'AP da fenomeni elettrici, si raccomanda di collegarlo a terra con l'apposito cavo incluso nella confezione ai sensi delle normative locali.

Pour protéger votre point d'accès extérieur des événements électriques, nous vous recommandons de le raccorder à la terre à l'aide du câble de terre fourni, conformément aux réglementations locales.

為了保護室外 AP 不受電氣事件影響，建議您根據當地法規使用內含的接地線對 AP 進行接地。 야외 AP를 전기 사고 발생 위험으로부터 보호하려면 지역별 규정에 따라 AP를 등록된 접지 와이어로 접지하는 것이 좋습니다.

屋外用 AP を落雷や感電などの事故から守るために、地元の規制に従って、付属の接地線を使用して AP の接地を行うことをお勧めします。

为了保护您的户外 AP 免受电气活动的影响，我们建议您根据当地的法规，使用随附的地线将 AP 接地。

Declaration of Conformity

WatchGuard Technologies, Inc.
505 Fifth Ave. S., Suite 500
Seattle, WA 98104-5892 USA

WatchGuard Technologies Inc. hereby declares that the product(s) listed below conform to the European Union directives and standards identified in this declaration.

Product(s):
#02-11a1b1a1a1a1 Access Point, AP332CR

EU Directives:
Low Voltage (2014/35/EU)
Electromagnetic Compatibility (2014/30/EU)
Energy-related Products (2009/126/EC)
RoHS (2011/65/EU) and 2015/863/EU (RoHS)
WEEE Directive 2012/19/EU
The Radio Equipment Directive (2014/53/EU)

Common Standards:
EN 62368-1:2014+A11:2017 Safety for ITE
EN 55032:2015+A11:2020
EN 55035:2017/A11:2020
EN 61000-3-2:2019 Harmonics
EN 61000-3-3:2013+A1:2019 Flicker

Wireless Standards:
EN 62311:2008
EN 301 488-1 v2.3.2 (2015-11) EMC and Radio Spectrum Matters
EN 301 488-17 v3.2.4 (2020-05) EMC and Radio Spectrum Matters
EN 300 328 v2.2.2 (2019-07) Radio Spectrum Matters
EN 301 883 v2.1.1 (2017-05) Broadband Radio Access Networks

This device complies with Directive 2014/53/EU issued by the Commission of the European Community.

Manufacturer / Hersteller: WatchGuard Technologies
505 5th Ave S, Suite 500, Seattle, WA 98104 USA
802-11a1b1a1a1a1 Access Point
Type Designation / Typenbezeichnung: AP332CR
Specifications / Technische Daten: 802.11a/b/g/n/ac (2.4GHz & 5GHz)
Intended Purpose / Verwendungszweck: Cloud managed wireless outdoor access point
Equipment Class / Betriebsmittel der Klasse: Class II
Operating temperature / Betriebstemperatur: -20 °C to 60 °C

The above device complies with the essential requirements and other relevant provisions to Directive 2014/53/EU when used for its intended purpose. This equipment may be operated in the USA, Canada, & Europe Union.

Die oben genannten Gerät entspricht den grundlegenden Anforderungen und anderen relevanten Bestimmungen der Richtlinie 2014/53/EU, wenn für den vorgesehenen Zweck verwendet werden. Dieses Gerät ist für die Verwendung in den USA, Kanada, und Europäische Union.

Signature:

Laurence Huang



Full Name: Laurence Huang
Position: Manufacturing Program Manager
Date and Place of Issue: 14 June 2022, Seattle, WA, USA

A full list of safety approvals, global compliance standards, and certifications can be found in the Hardware Guide for this device located on the WatchGuard website: <https://www.watchguard.com/wgrd-help/documentation/hardware-guides>

WATCHGUARD TECHNICAL SUPPORT

1.877.232.3531 +1.206.613.0456
(U.S. and Canada) (all other countries)

www.watchguard.com/support



ADDRESS: 505 Fifth Avenue South, Suite 500, Seattle, WA 98104

U.S. SALES: 1.800.734.9905 • INTERNATIONAL SALES: +1.206.613.0895

WEB: www.watchguard.com